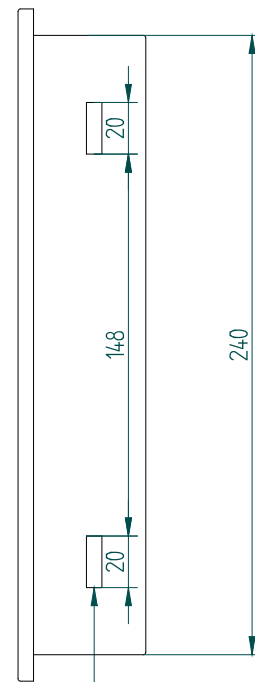
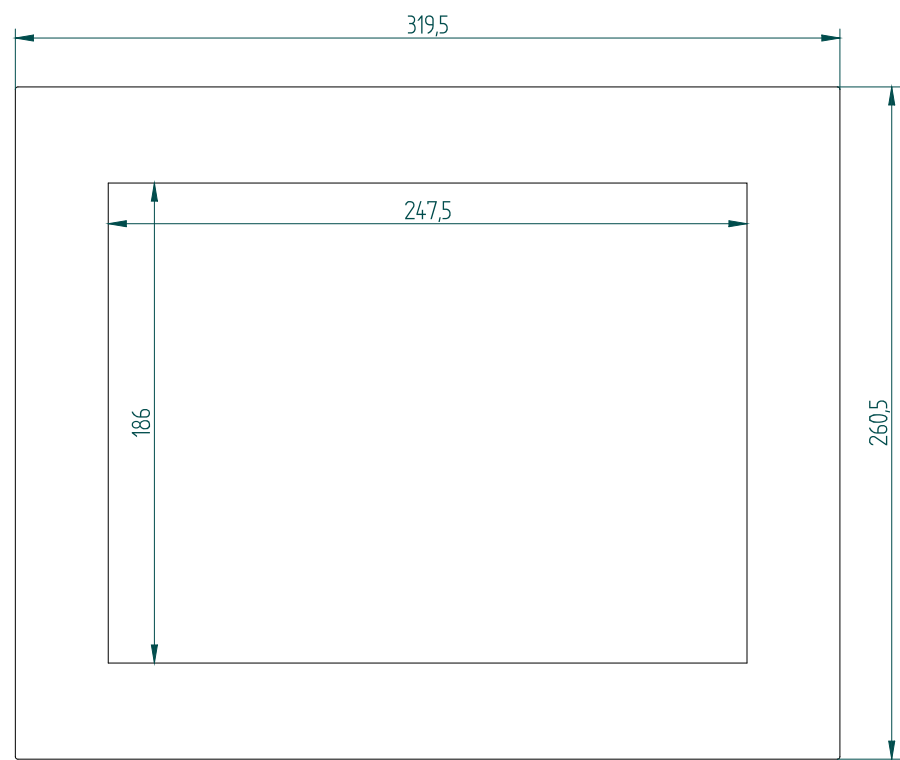
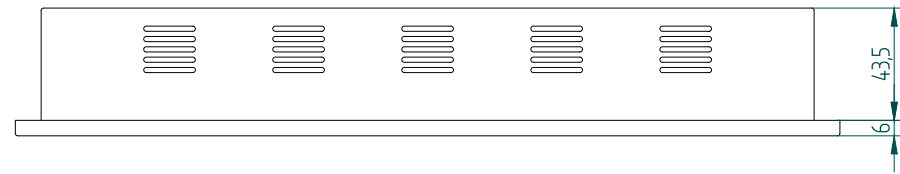
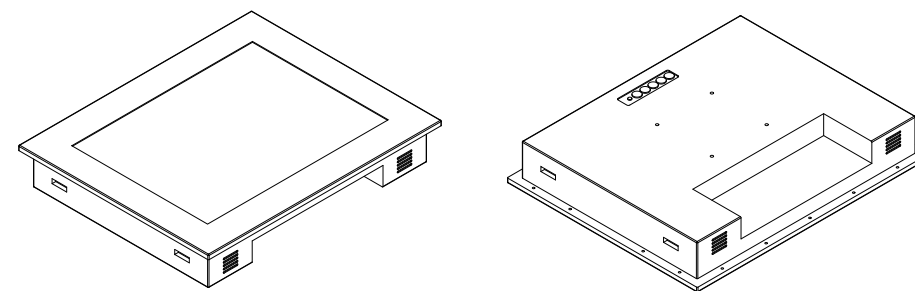
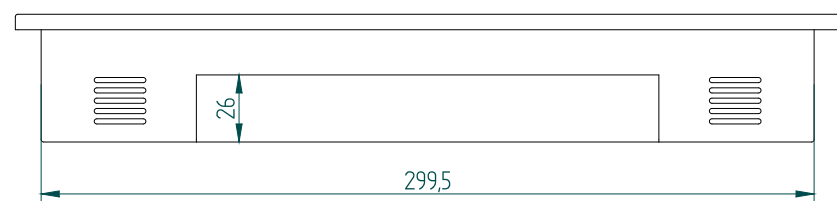
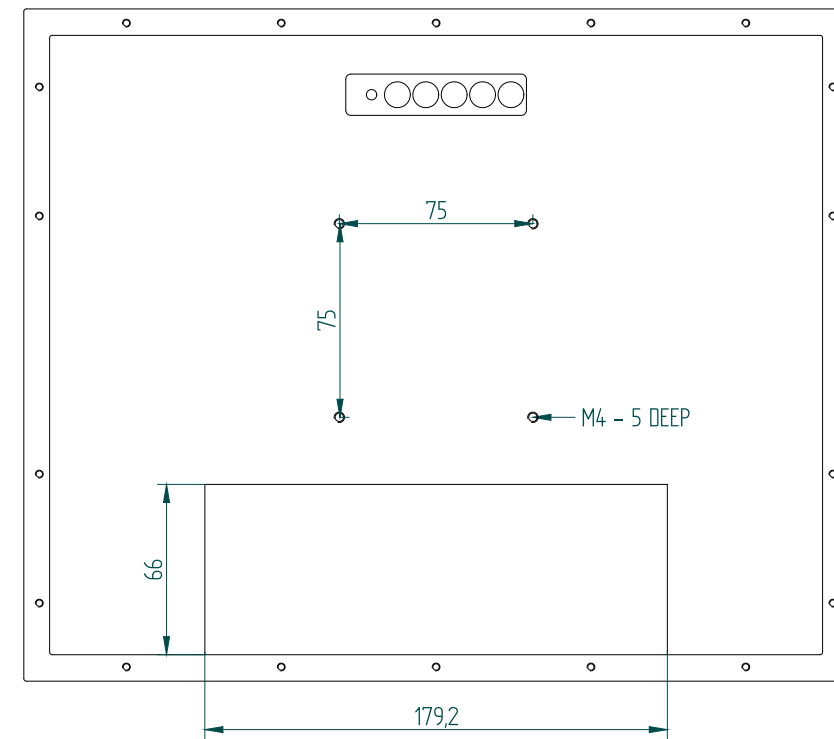


12.1" F120 afmetingen



Cutouts to fit panelmount brackets



3-DIMENSIONAL SOLID MODELS AVAILABLE ON REQUEST