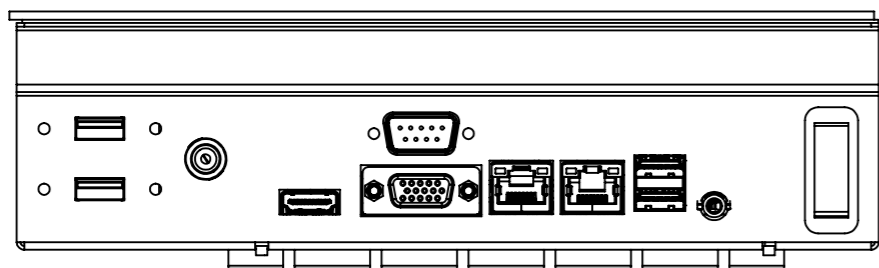
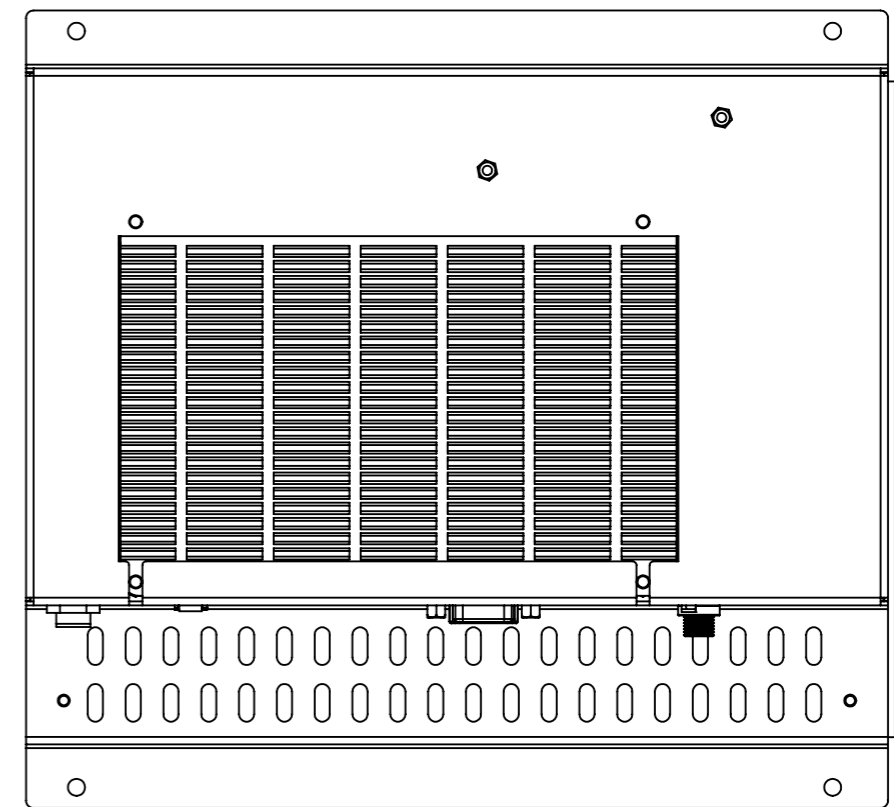
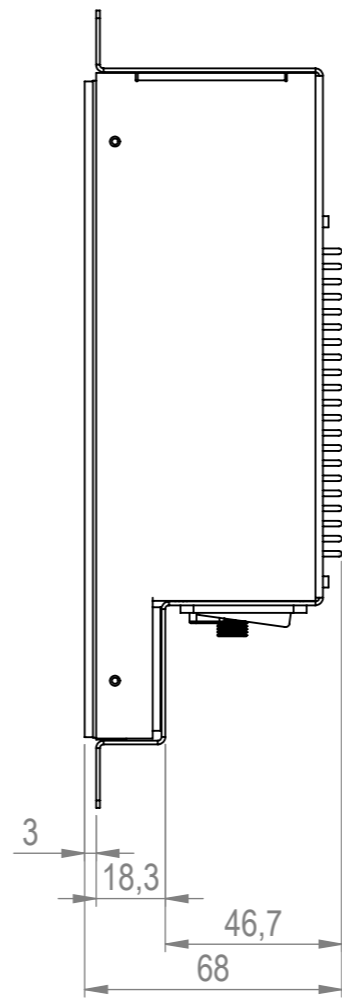
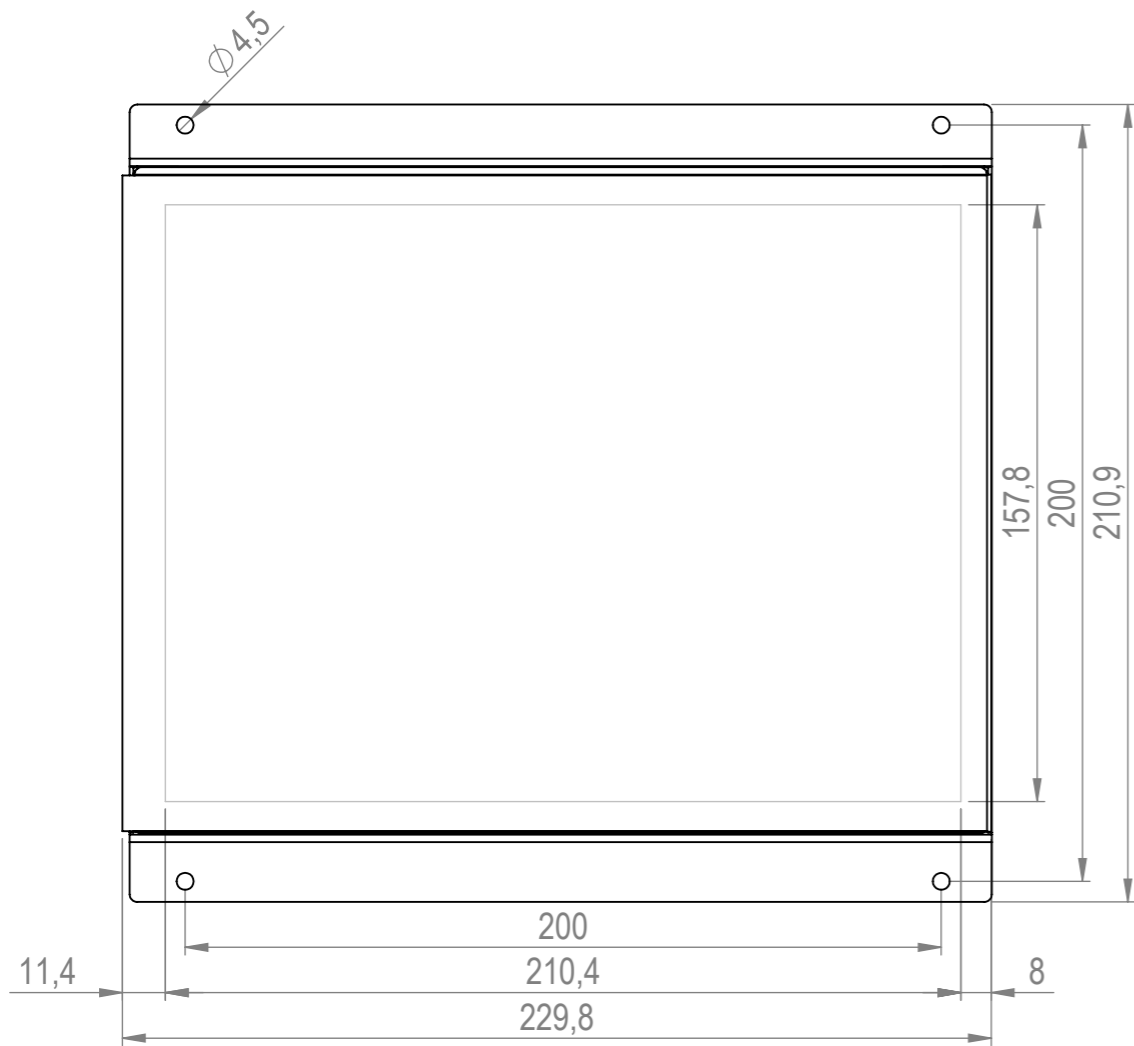
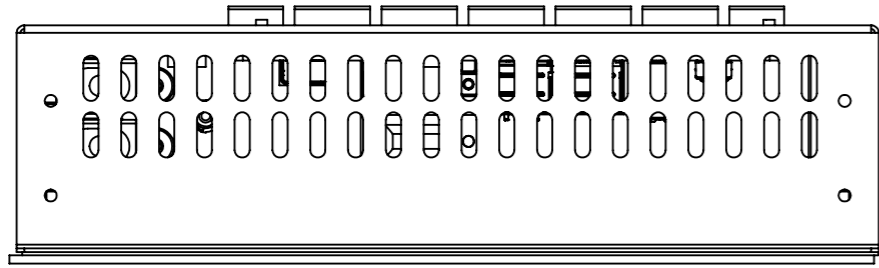
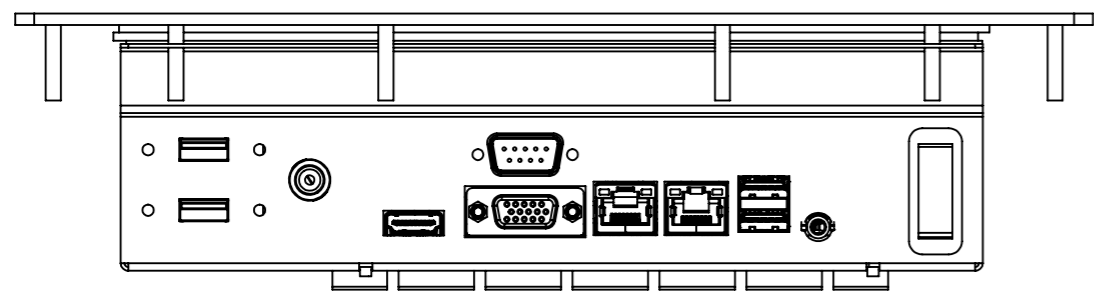
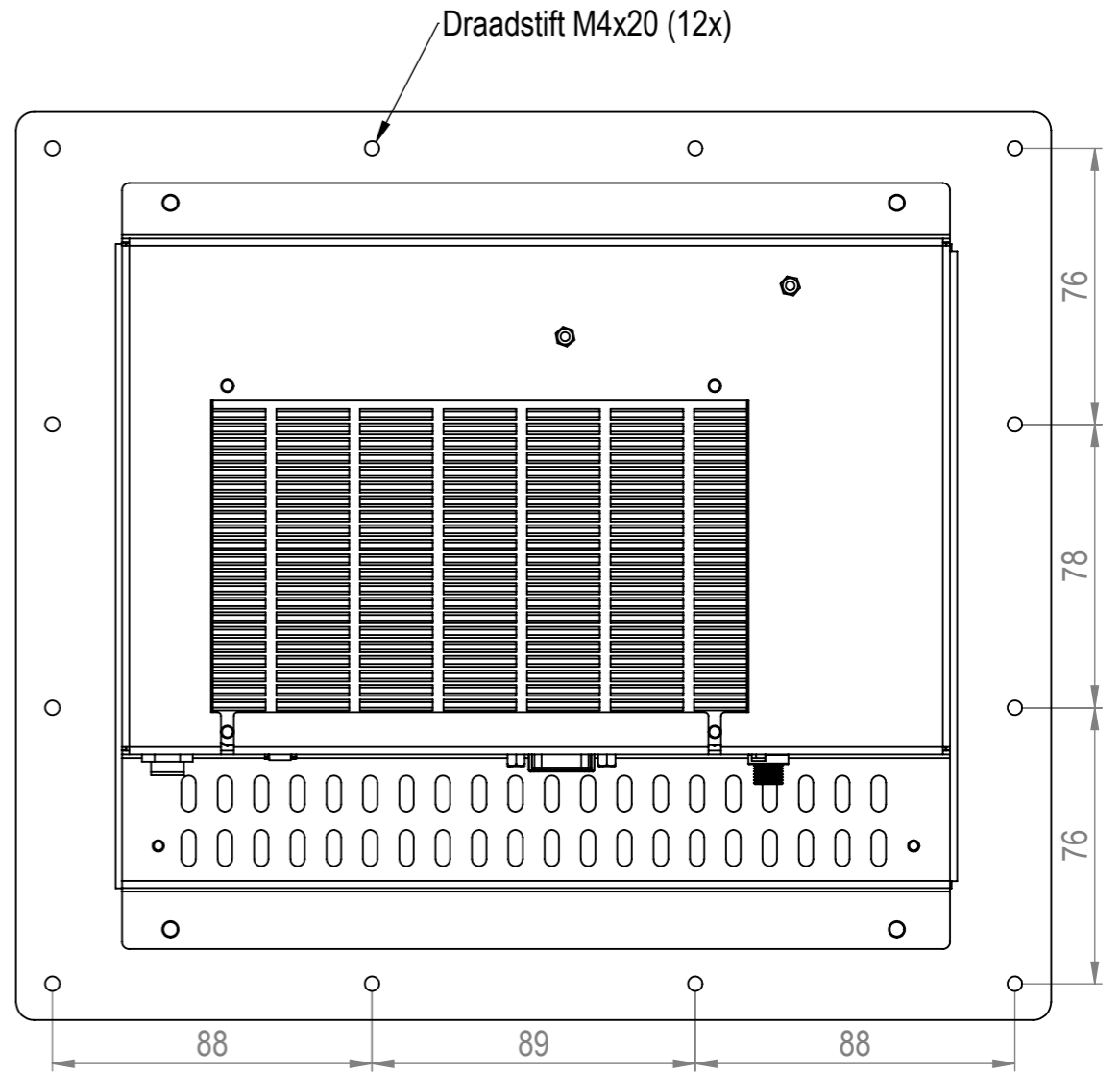
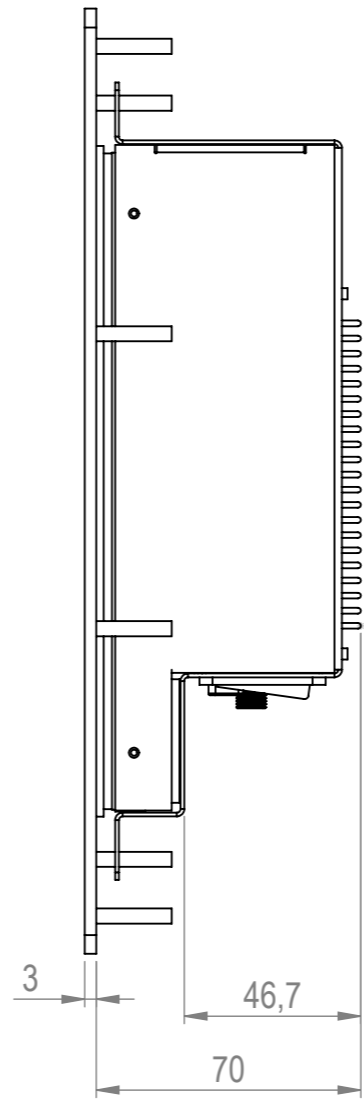
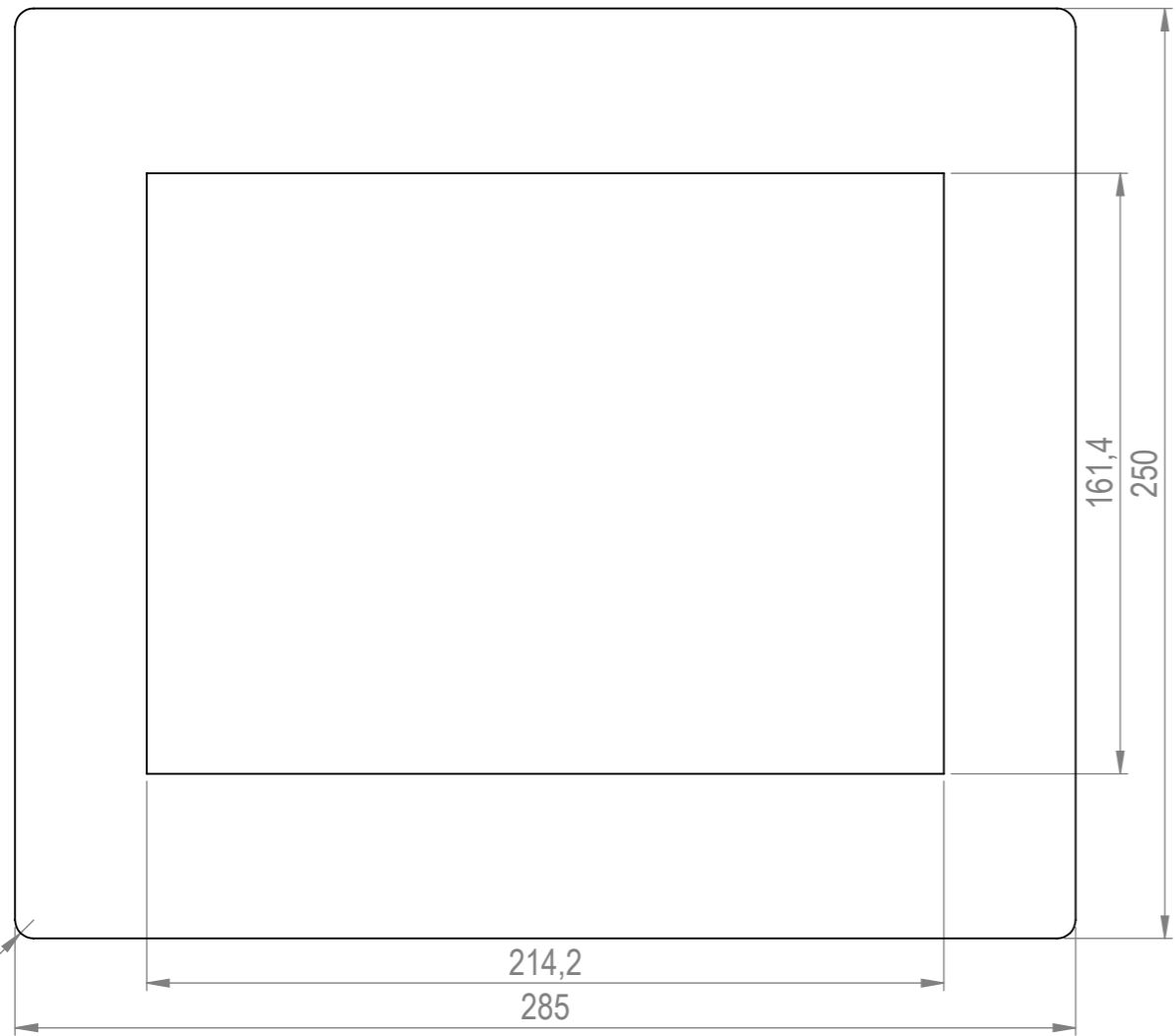
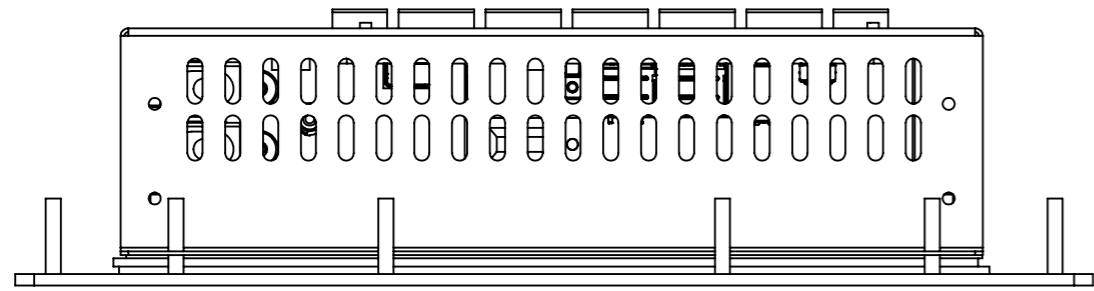


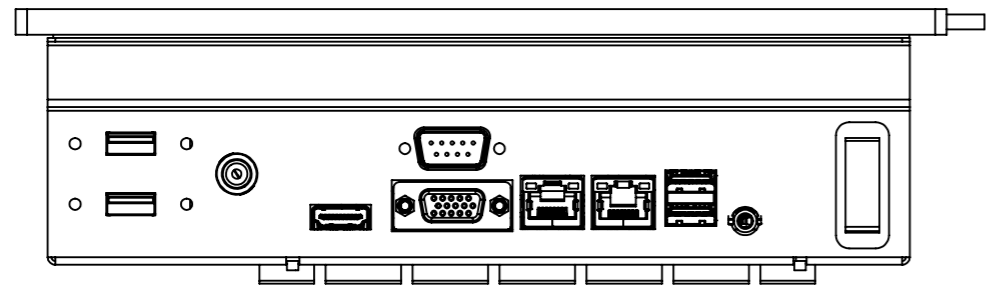
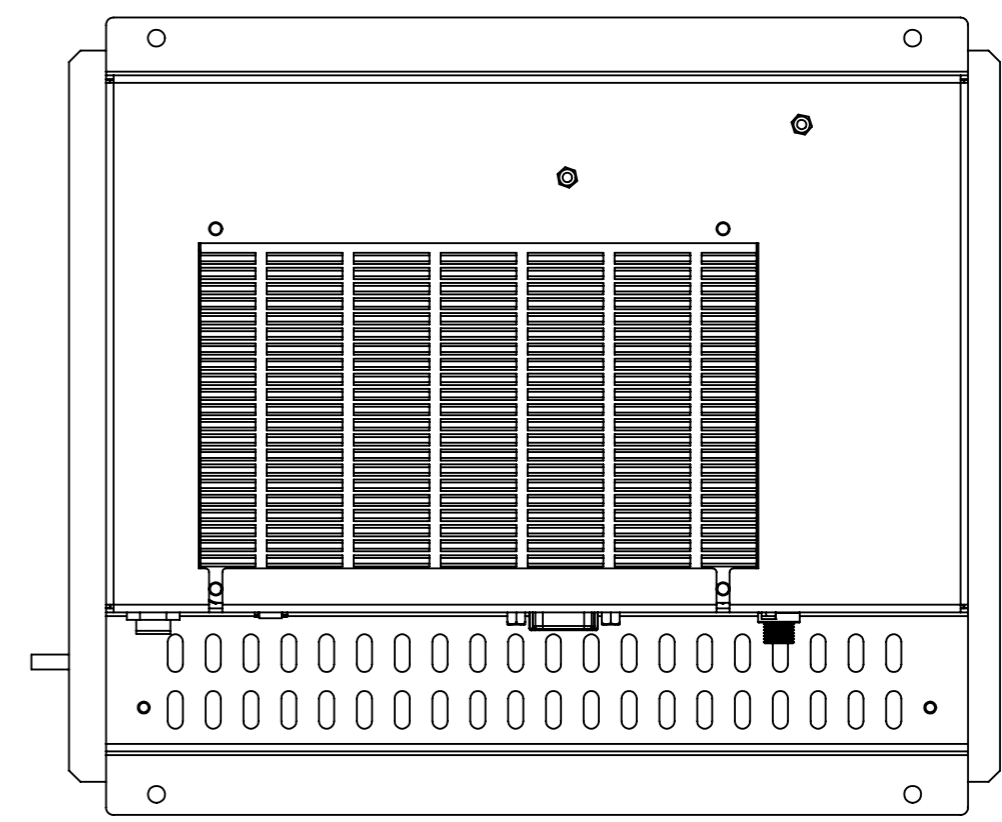
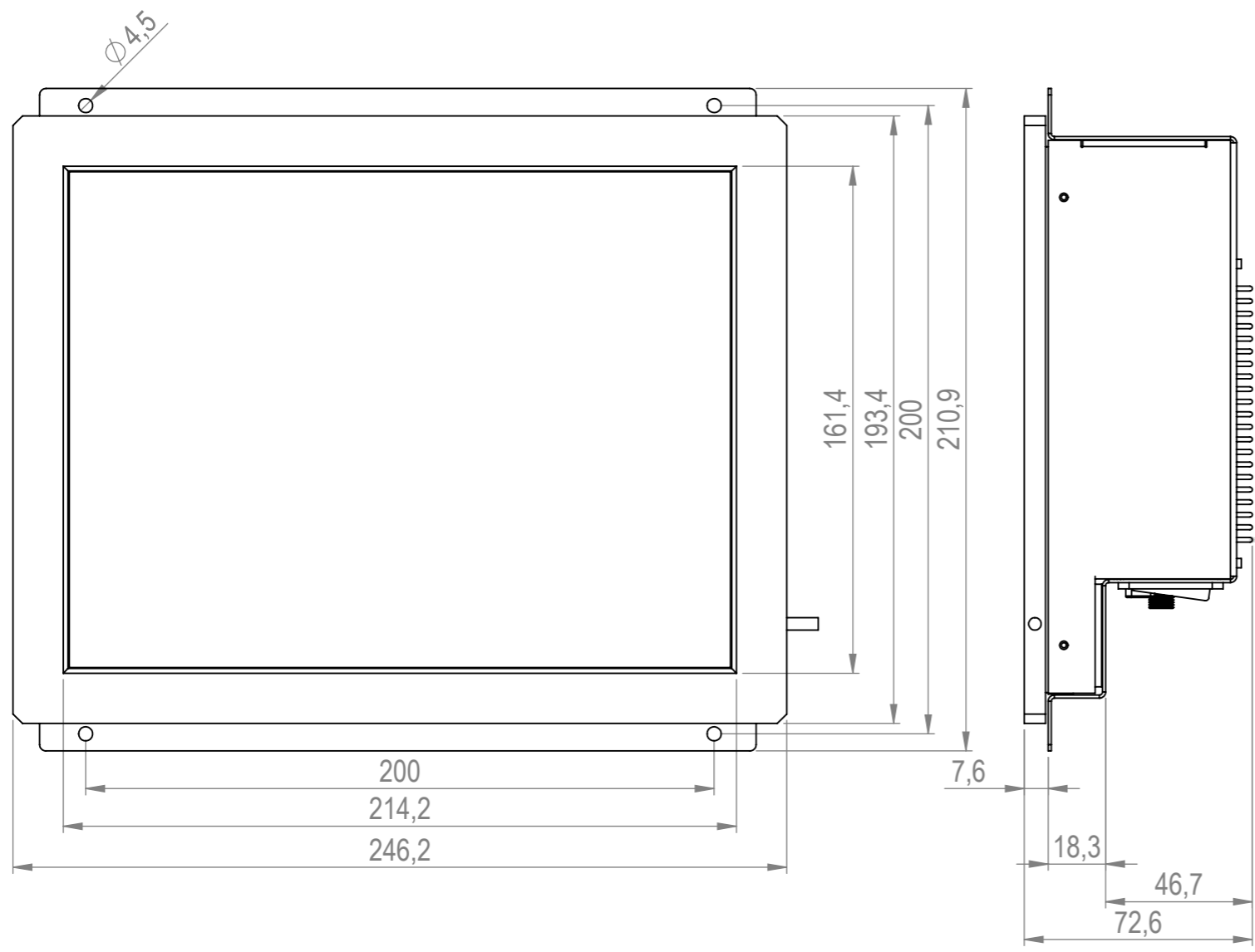
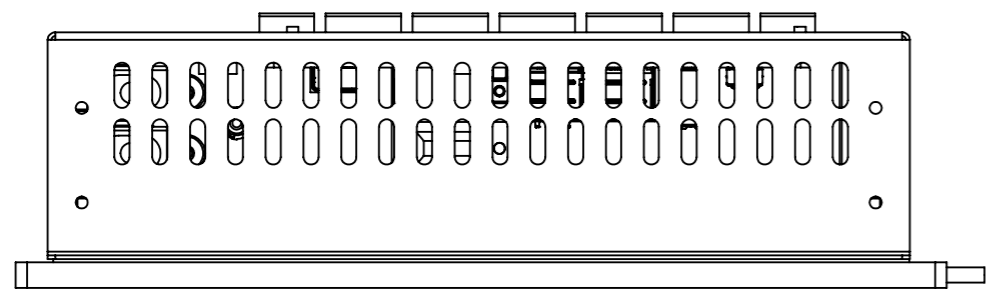
DATE	15-10-2021	DO NOT SCALE DRAWING	REVISION	2
		<b>TFT/Solutions</b>		
MATERIAL:	-	TITLE:	Openframe	
FINISH:	-	DWG NO.	PPC1043-10	A3
			SCALE:1:2	SHEET 1 OF 5



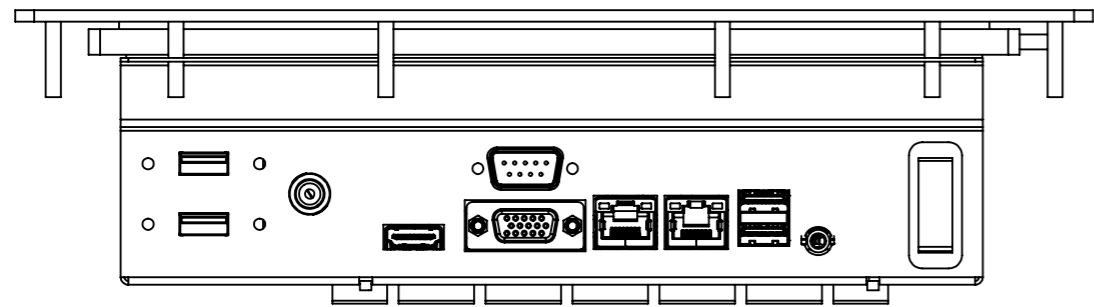
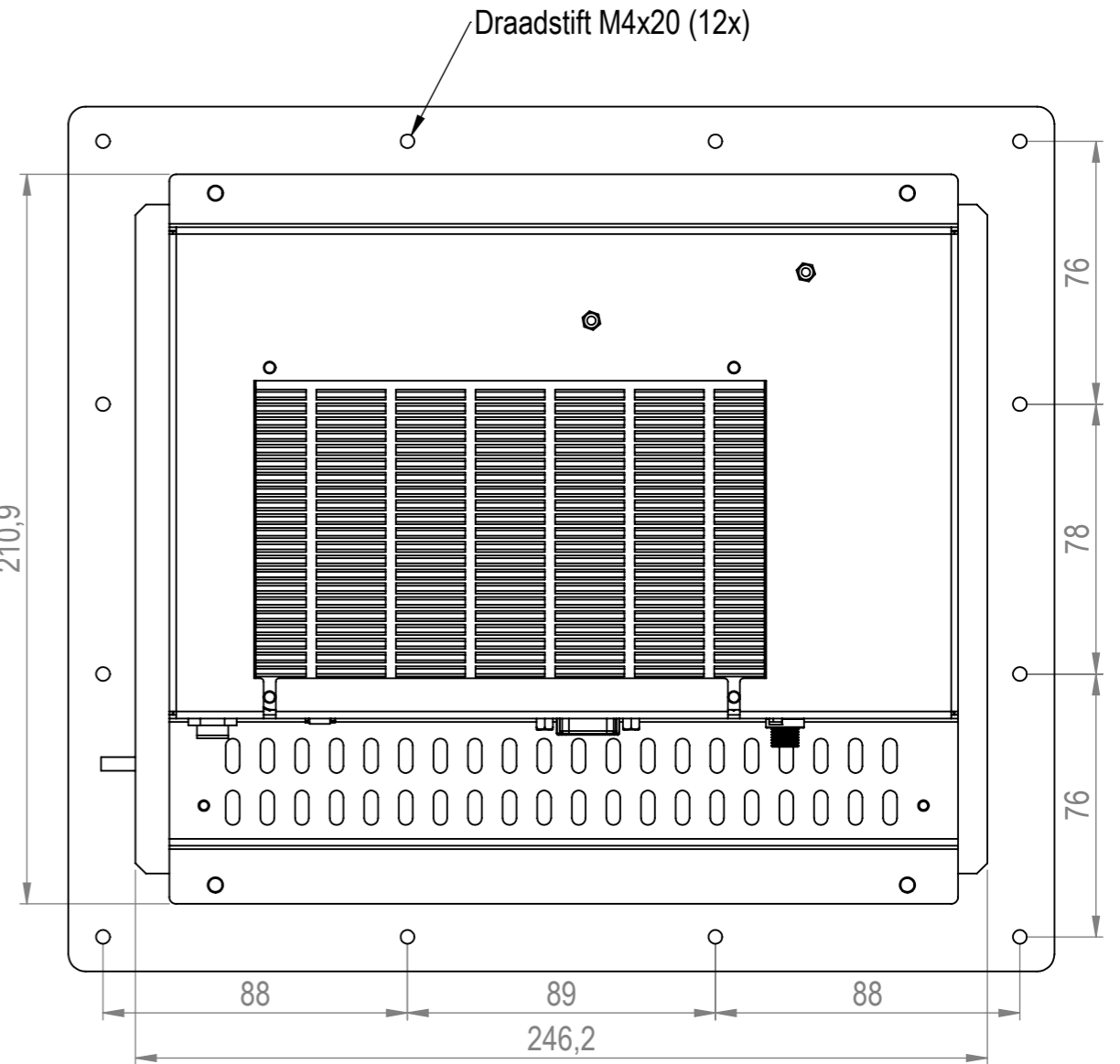
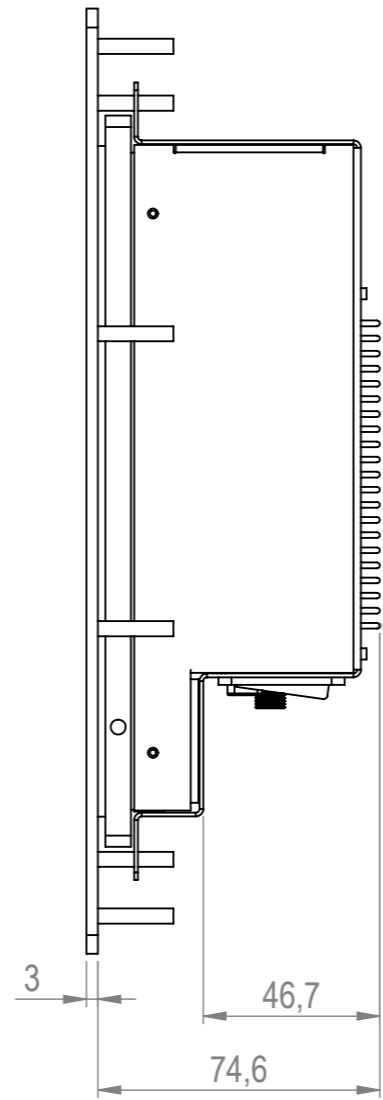
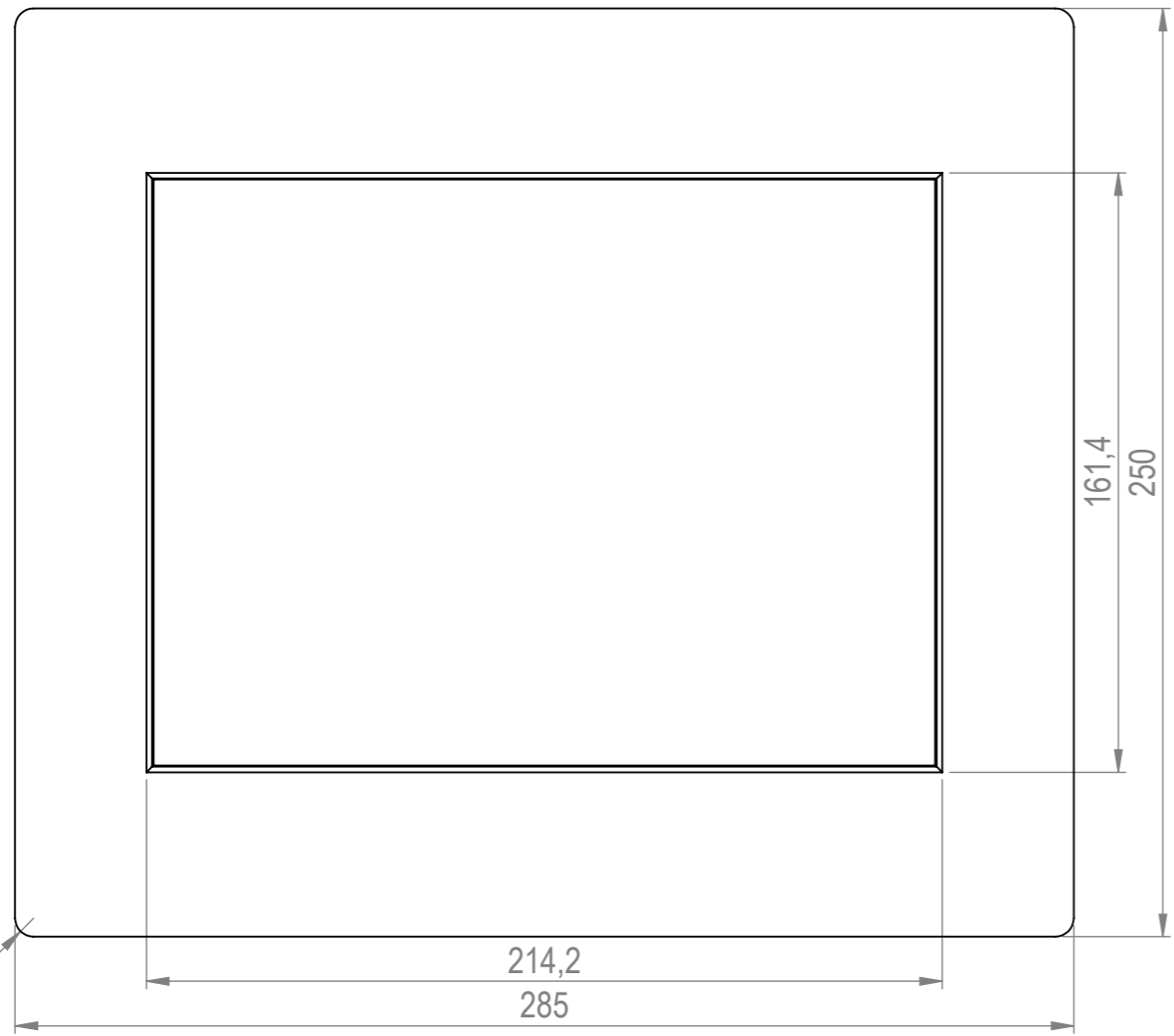
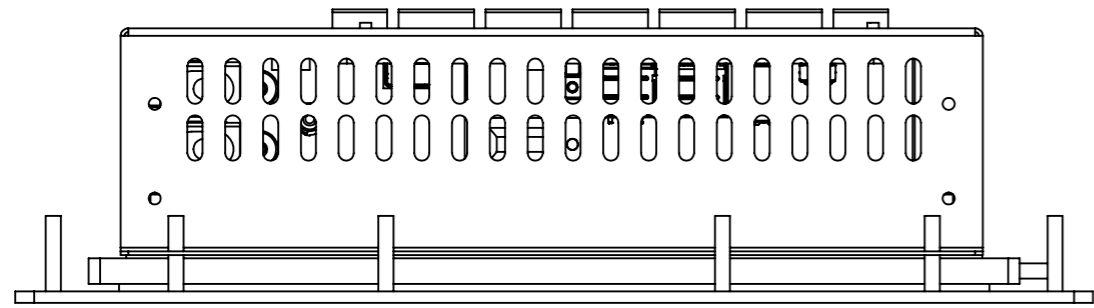
DATE	15-10-2021	DO NOT SCALE DRAWING	REVISION	2
MATERIAL:	-	<b>TFT/Solutions</b>		
FINISH:	-	Resistive openframe		
		DWG NO.	PPC1043-10	A3
		SCALE:1:2	SHEET 2 OF 5	



DATE	15-10-2021	DO NOT SCALE DRAWING	REVISION	2
		<b>TFT/Solutions</b>		
MATERIAL:	-	Resistive touch panelmount		
FINISH:	-	DWG NO.	PPC1043-10	A3
		SCALE:1:2	SHEET 3 OF 5	



DATE	15-10-2021	DO NOT SCALE DRAWING	REVISION	2
		<b>TFT/Solutions</b>		
MATERIAL:	-	IRtouch openframe		
FINISH:	-	DWG NO.	PPC1043-10	A3
		SCALE:1:2	SHEET 4 OF 5	



DATE	15-10-2021	DO NOT SCALE DRAWING	REVISION	2
		<b>TFT/Solutions</b>		
MATERIAL:	-	IRtouch panelmount		
FINISH:	-	DWG NO.	PPC1043-10	A3
		SCALE:1:2	SHEET 5 OF 5	