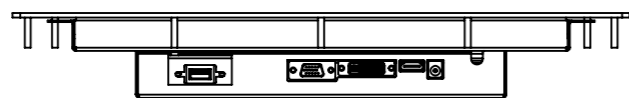
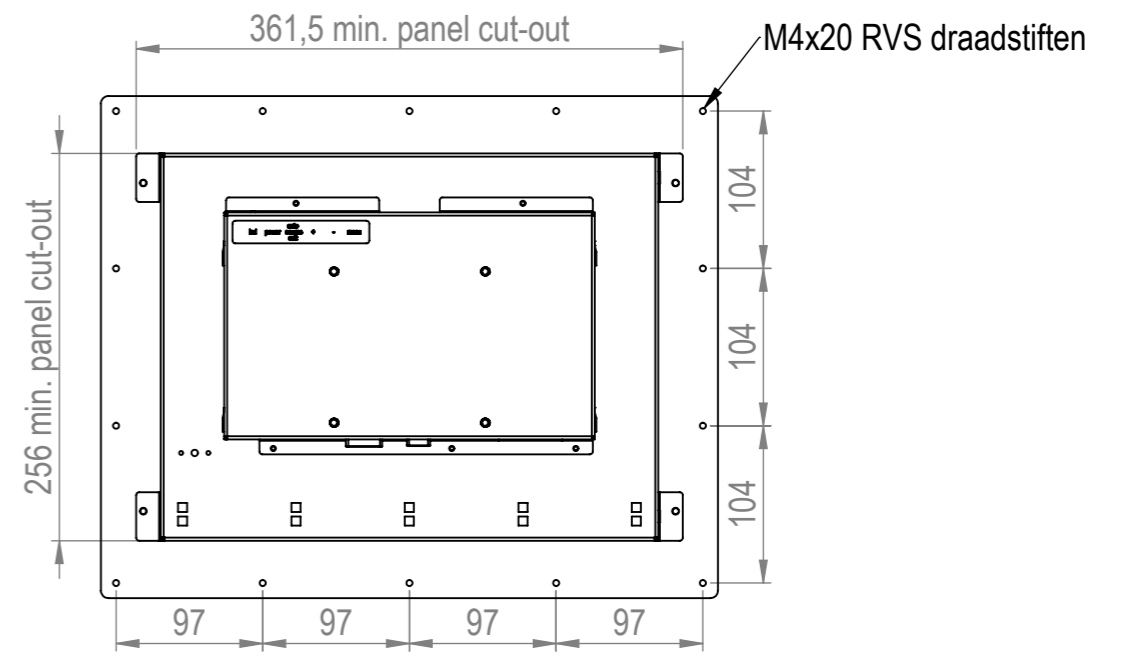
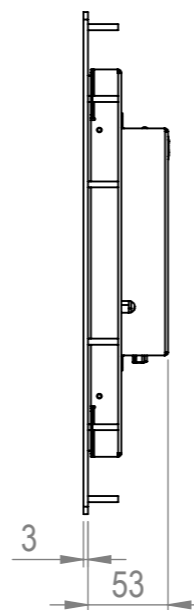
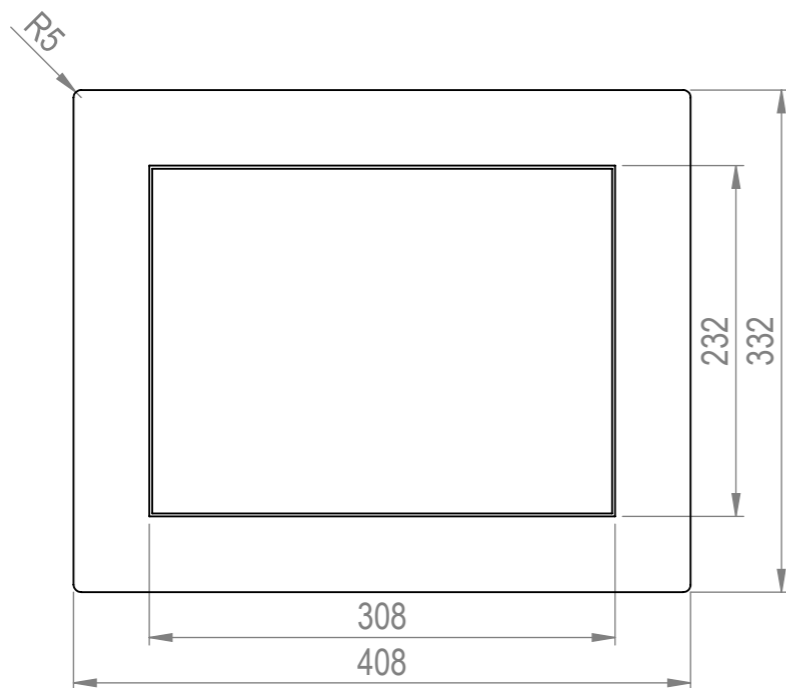
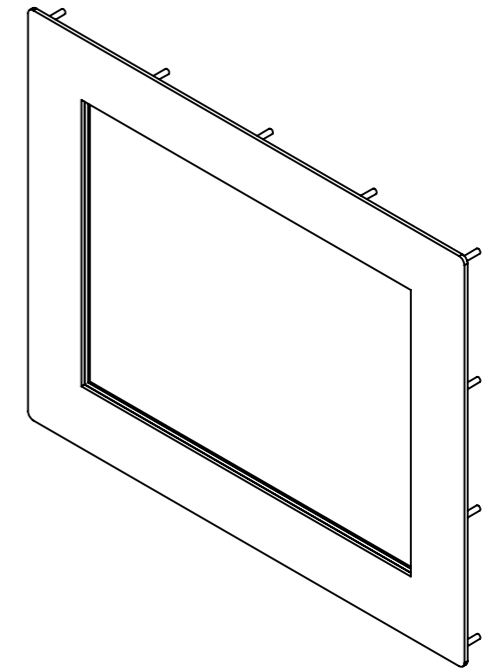
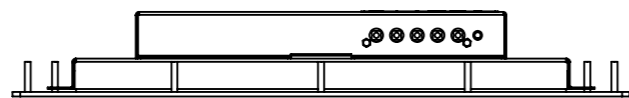
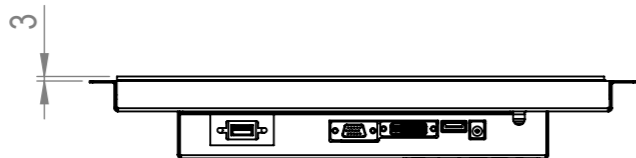
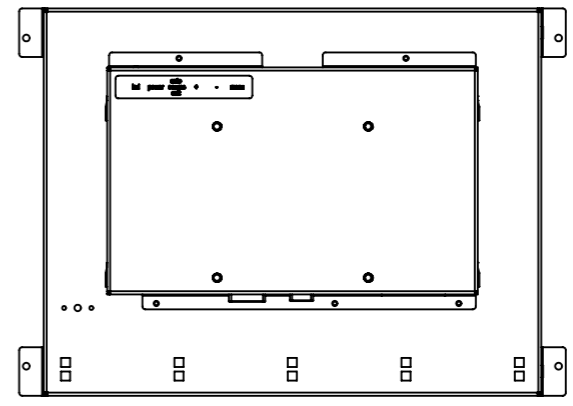
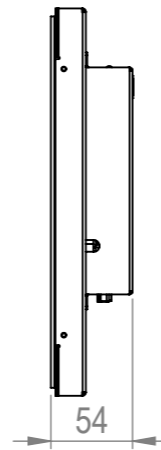
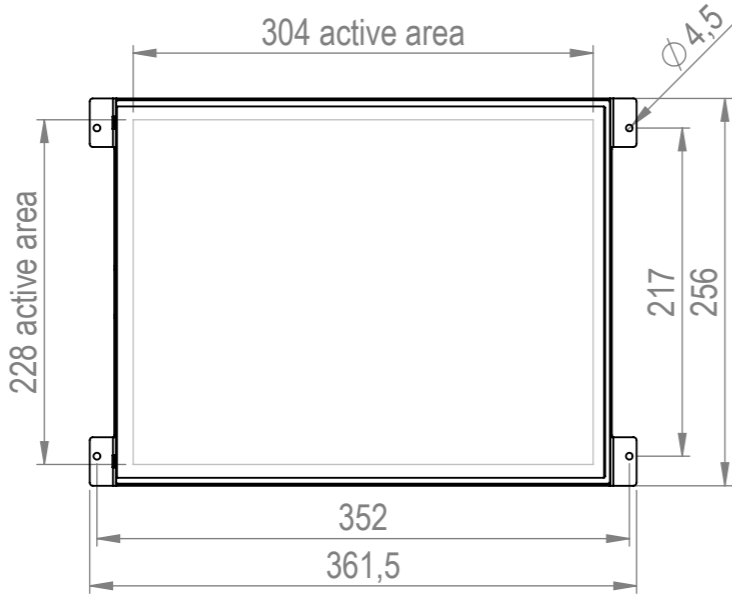
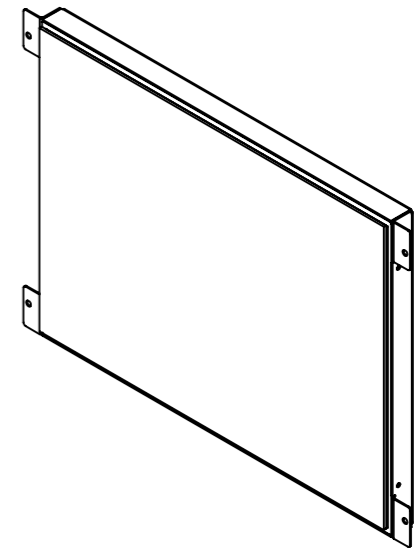
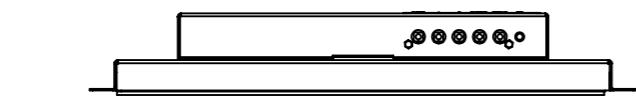


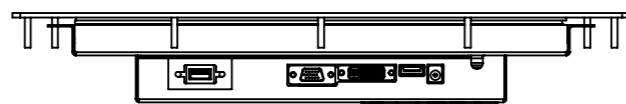
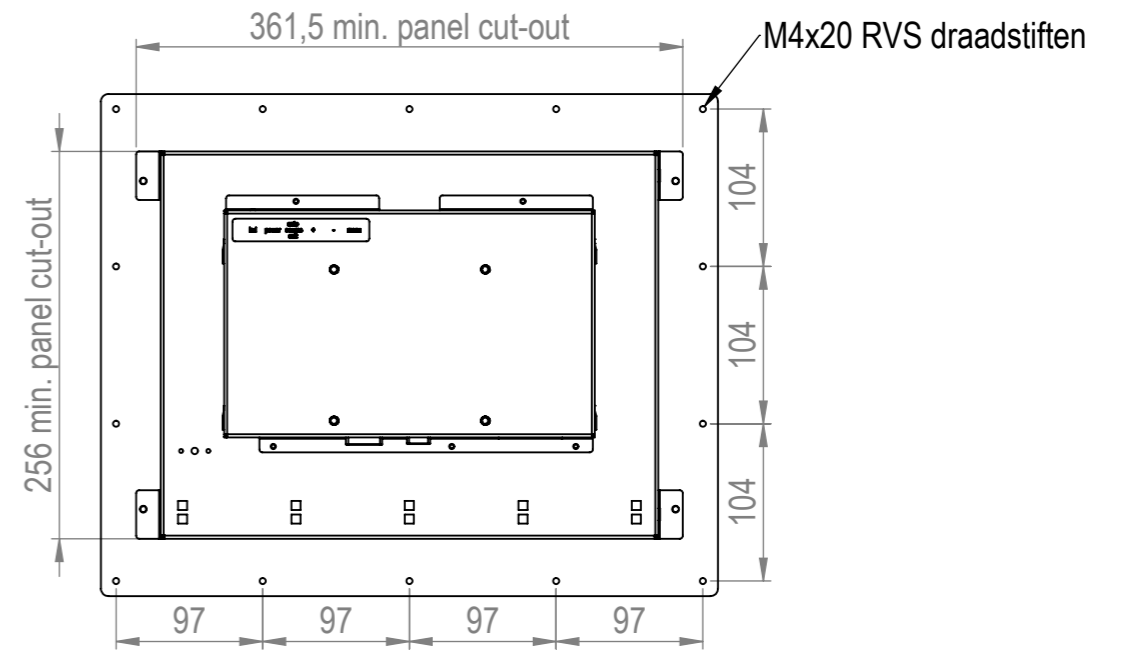
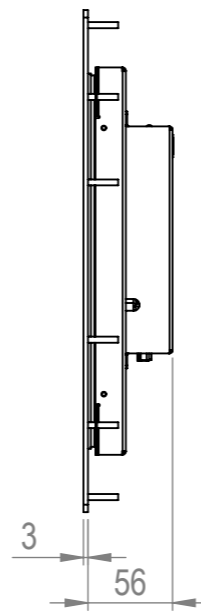
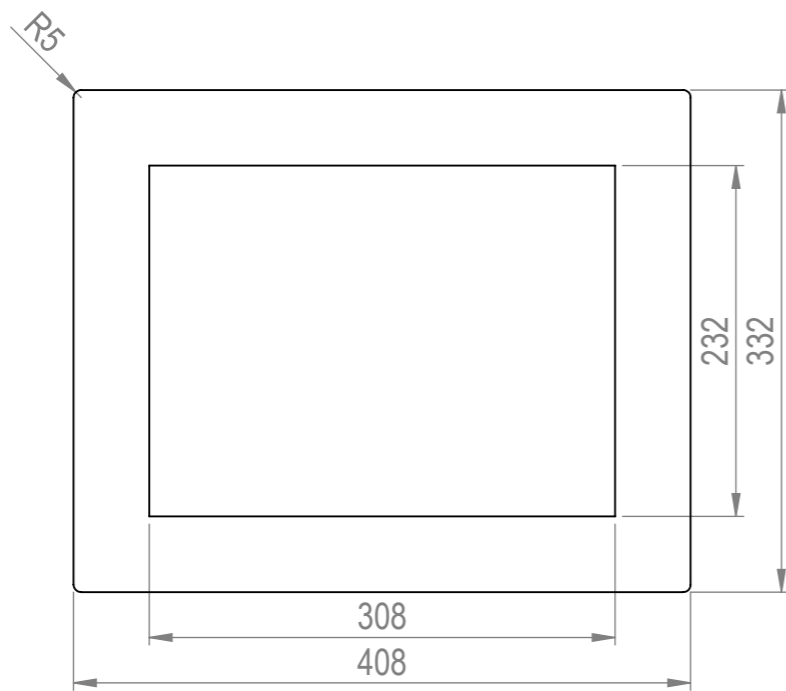
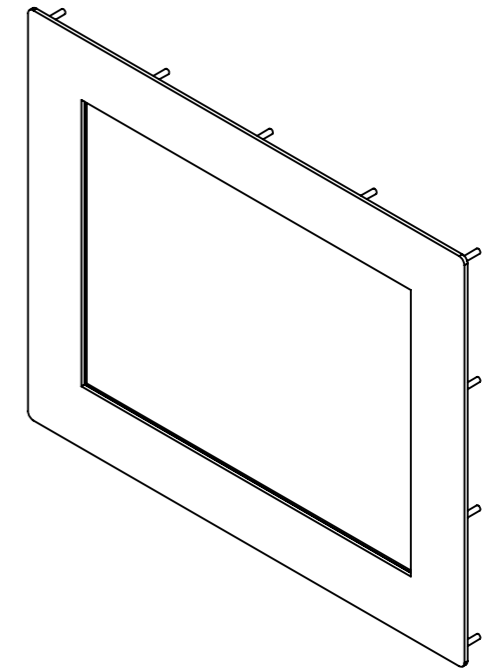
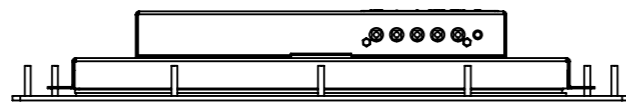
DATE	1-11-2021	DO NOT SCALE DRAWING	REVISION	3
		TFT/Solutions		
MATERIAL:	-	Openframe		
FINISH:	-	DWG NO.	TFT-15-OF5-00	A3
		SCALE:1:5	SHEET 1 OF 8	



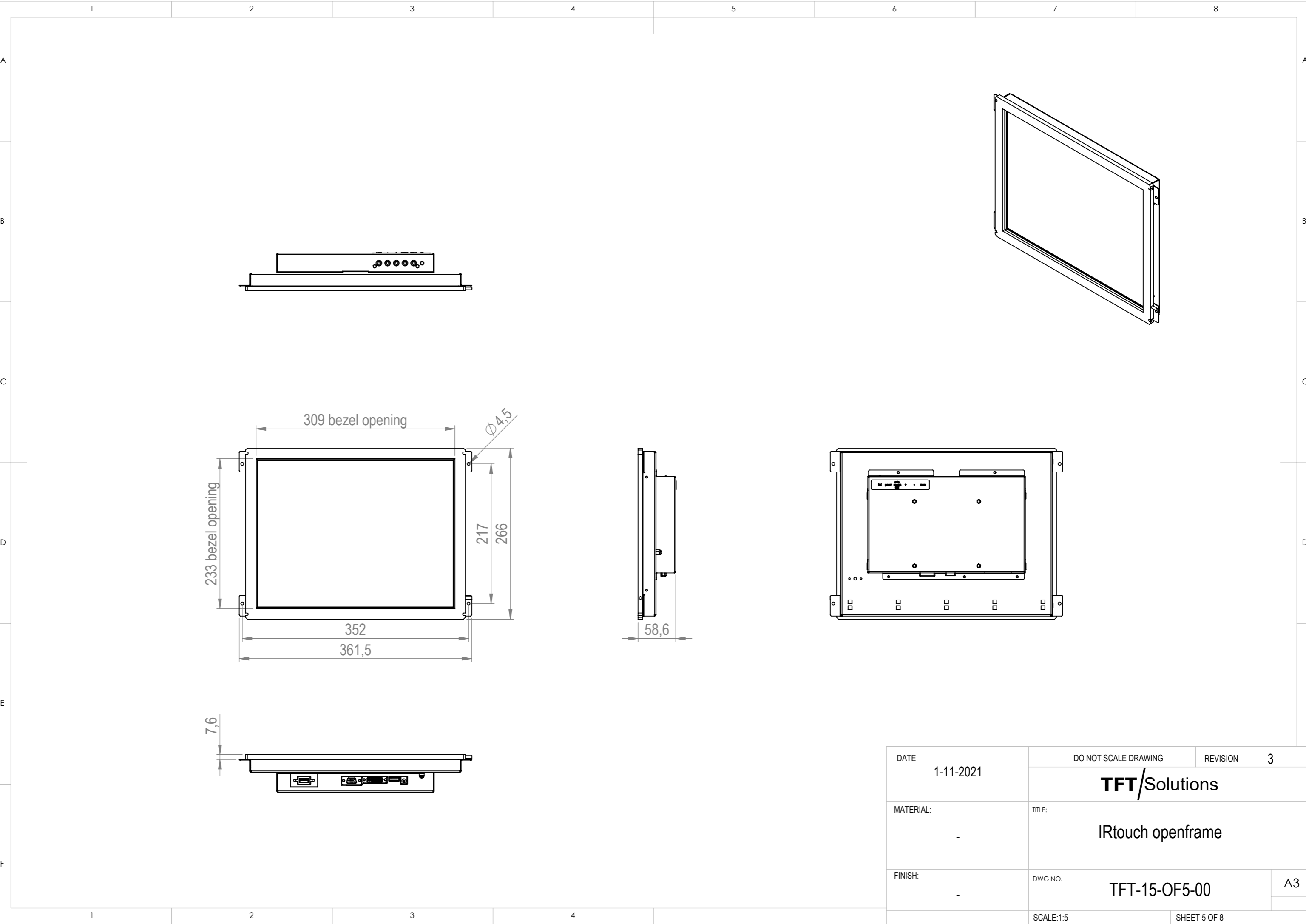
DATE	1-11-2021	DO NOT SCALE DRAWING	REVISION	3
		TFT/Solutions		
MATERIAL:	-	Panelmount		
FINISH:	-	DWG NO.	TFT-15-OF5-00	A3
		SCALE:1:5	SHEET 2 OF 8	



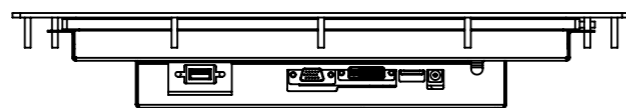
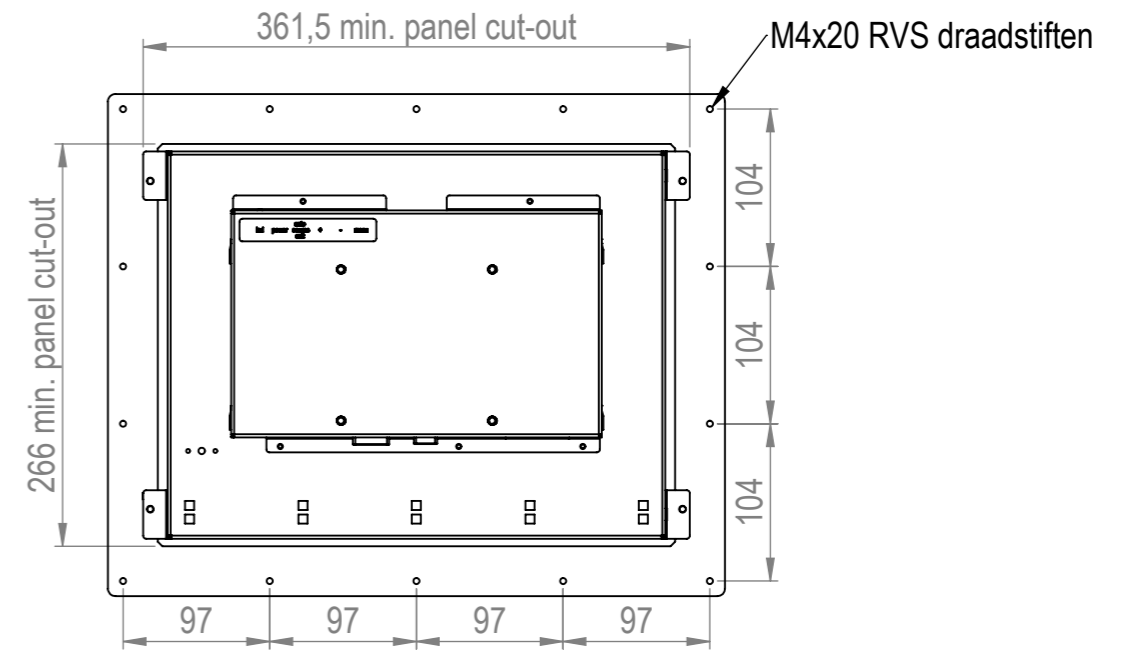
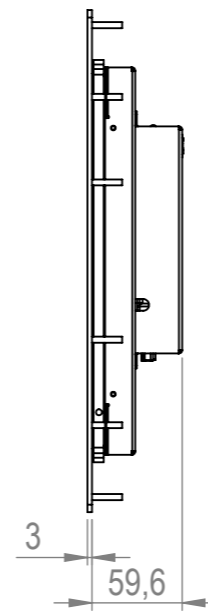
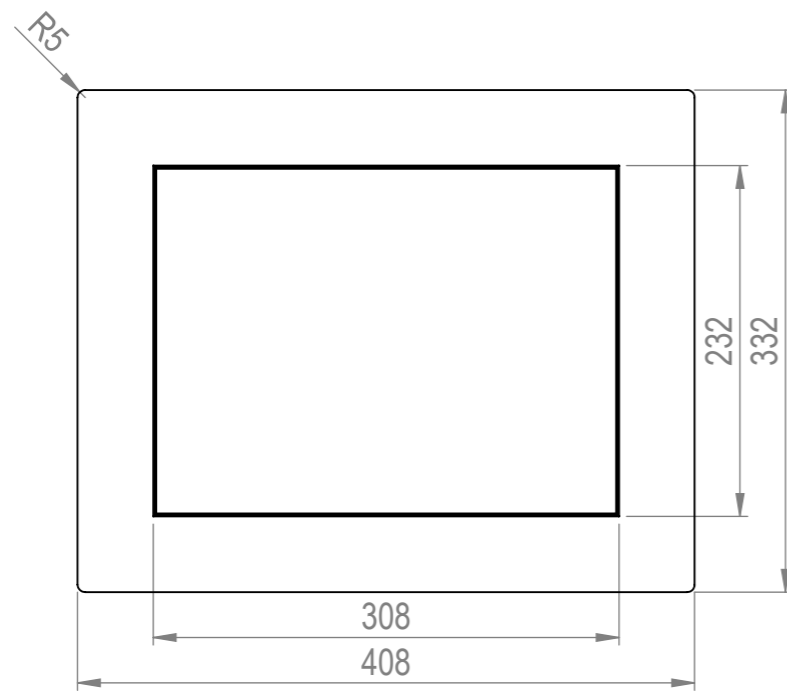
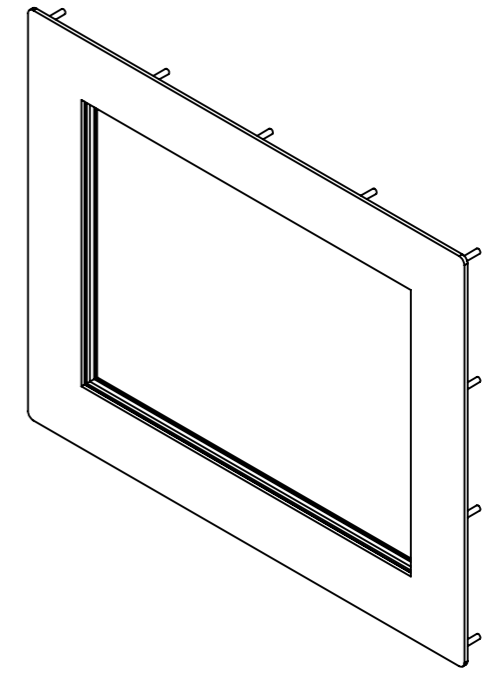
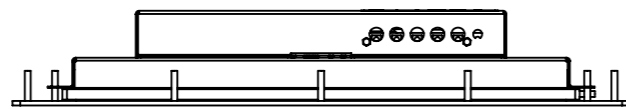
DATE	1-11-2021	DO NOT SCALE DRAWING	REVISION	3
		TFT/Solutions		
MATERIAL:	-	TITLE: Resistive openframe		
FINISH:	-	DWG NO.	TFT-15-OF5-00	A3
		SCALE:1:5	SHEET 3 OF 8	



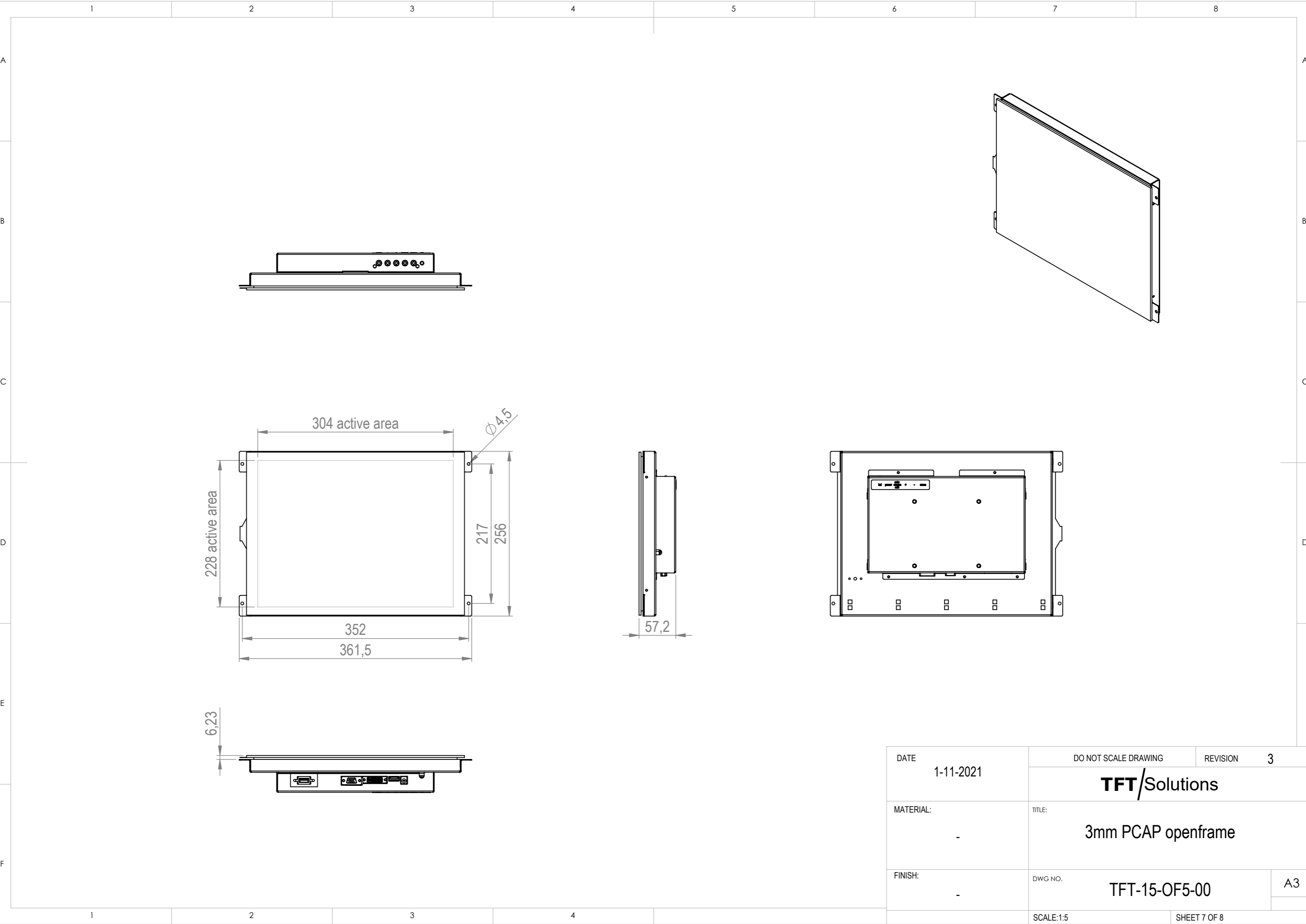
DATE	1-11-2021	DO NOT SCALE DRAWING	REVISION	3
		TFT/Solutions		
MATERIAL:	-	Resistive panelmount		
FINISH:	-	DWG NO.	TFT-15-OF5-00	A3
		SCALE:1:5	SHEET 4 OF 8	



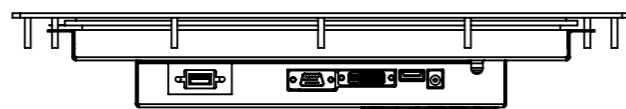
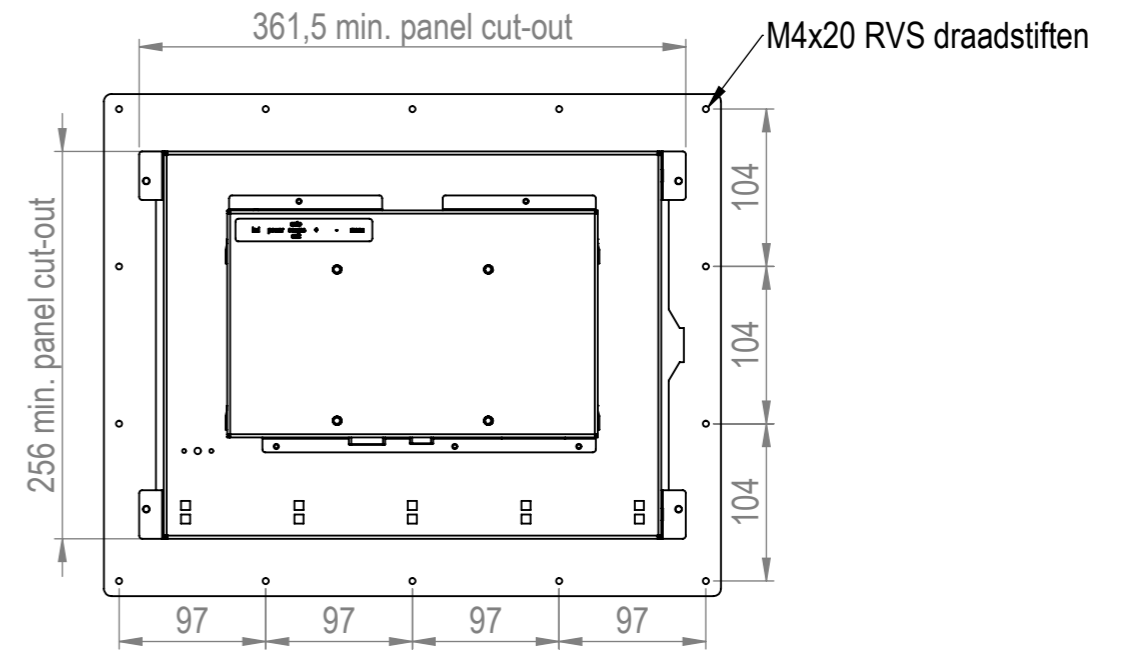
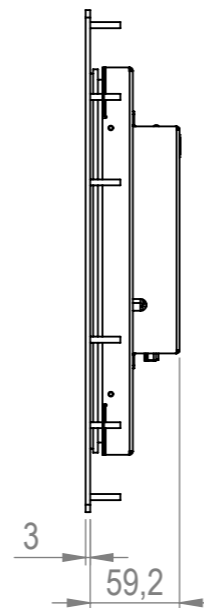
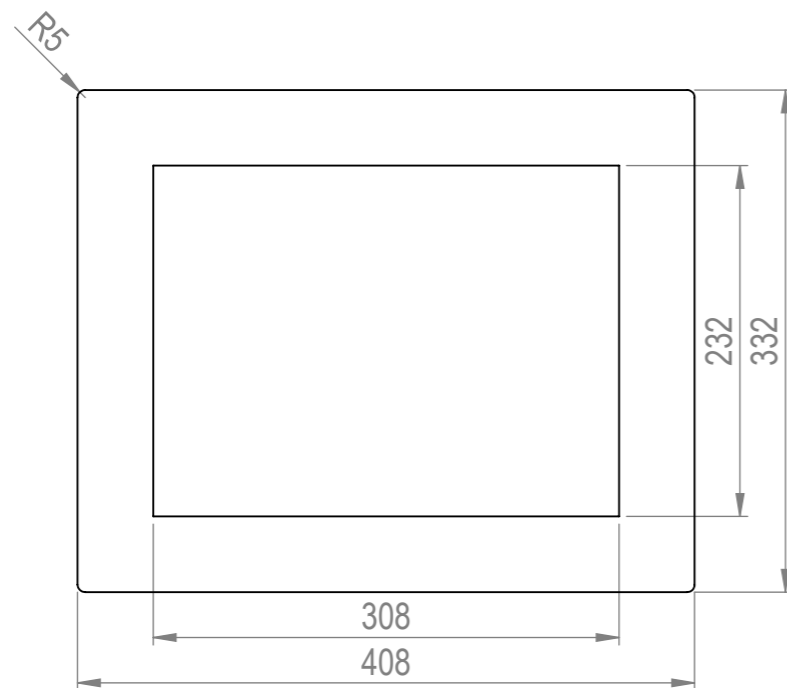
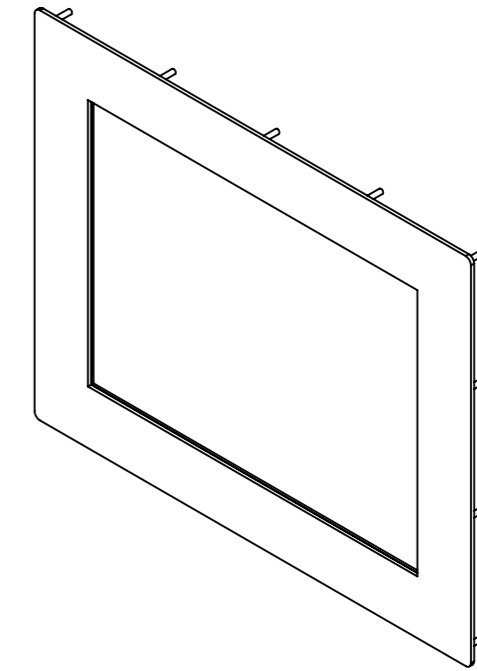
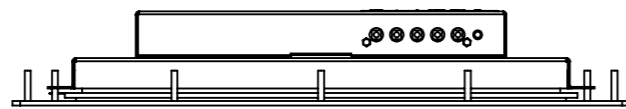
DATE	1-11-2021	DO NOT SCALE DRAWING	REVISION	3
MATERIAL:	-	TFT/Solutions		
FINISH:	-	IRtouch openframe		
		DWG NO.	TFT-15-OF5-00	A3
		SCALE:1:5	SHEET 5 OF 8	



DATE	1-11-2021	DO NOT SCALE DRAWING	REVISION	3
		TFT/Solutions		
MATERIAL:	-	TITLE: IRtouch panelmount		
FINISH:	-	DWG NO.	TFT-15-OF5-00	A3
		SCALE:1:5	SHEET 6 OF 8	



DATE	1-11-2021	DO NOT SCALE DRAWING	REVISION	3
		TFT/Solutions		
MATERIAL:	-	TITLE:	3mm PCAP openframe	
FINISH:	-	DWG NO.	TFT-15-OF5-00	A3
			SCALE:1:5	SHEET 7 OF 8



DATE	1-11-2021	DO NOT SCALE DRAWING	REVISION	3
		TFT/Solutions		
MATERIAL:	-	TITLE: 3mm PCAP panelmount		
FINISH:	-	DWG NO.	TFT-15-OF5-00	A3
		SCALE:1:5	SHEET 8 OF 8	