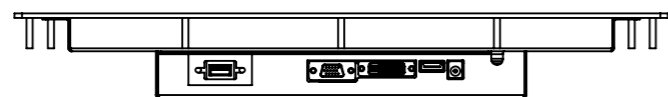
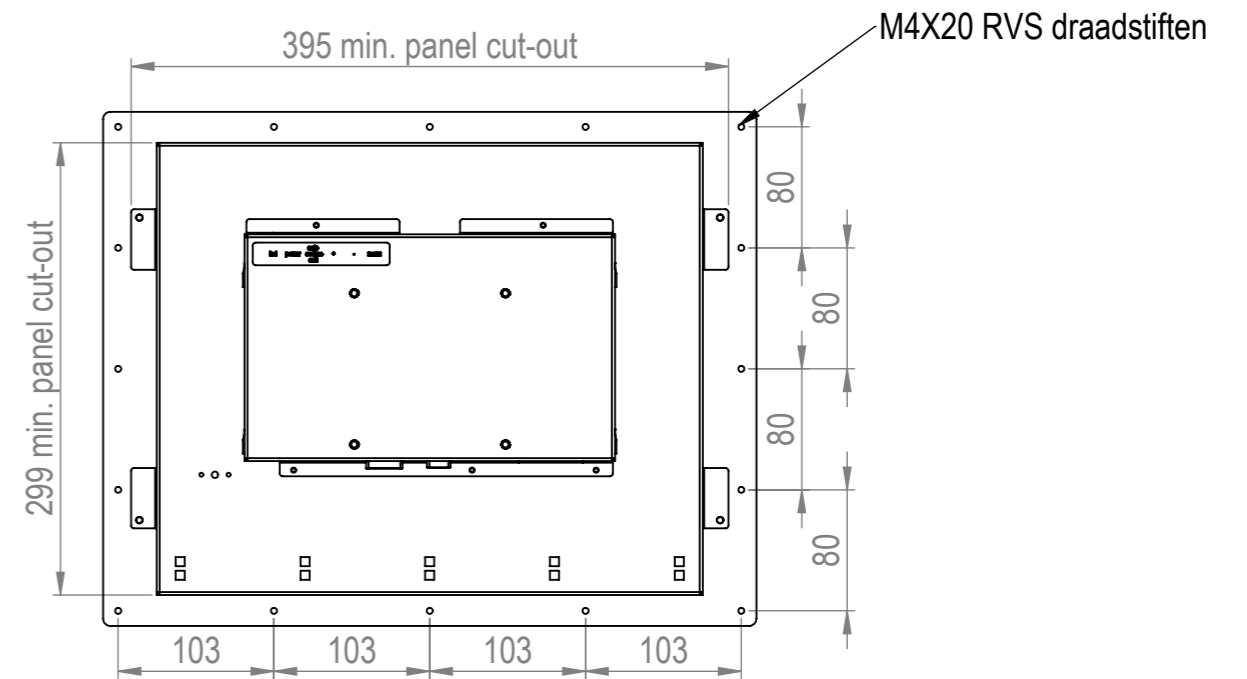
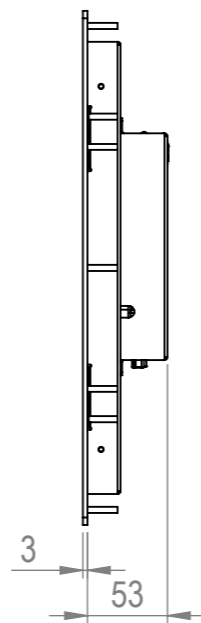
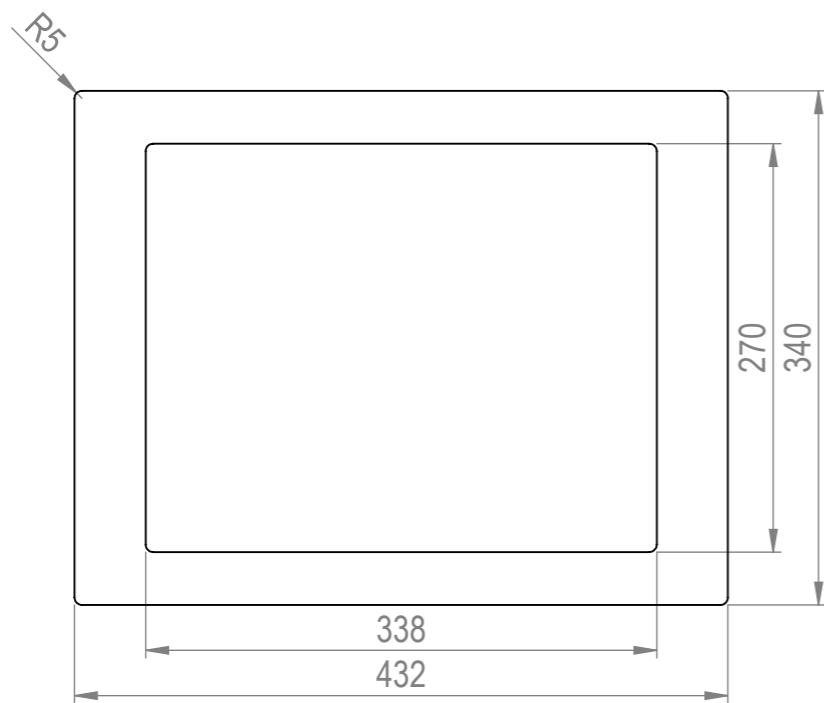
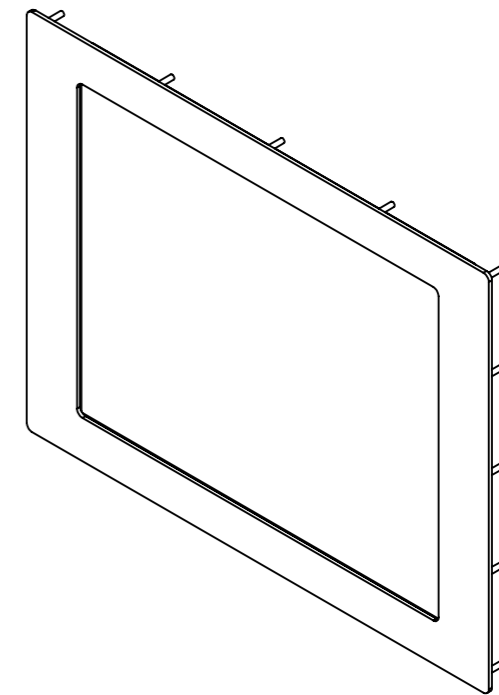
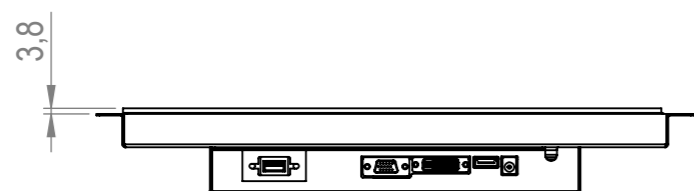
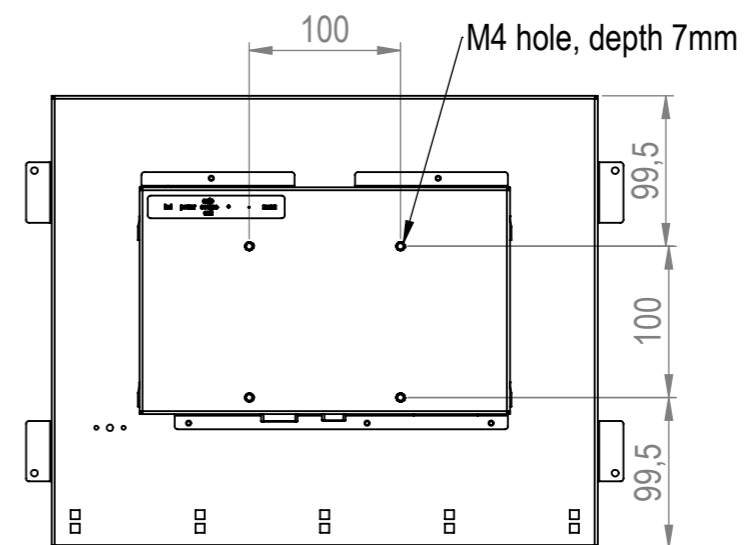
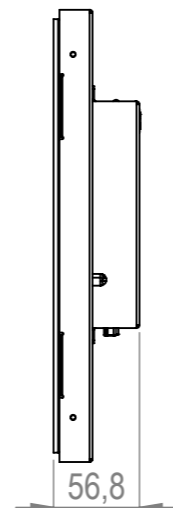
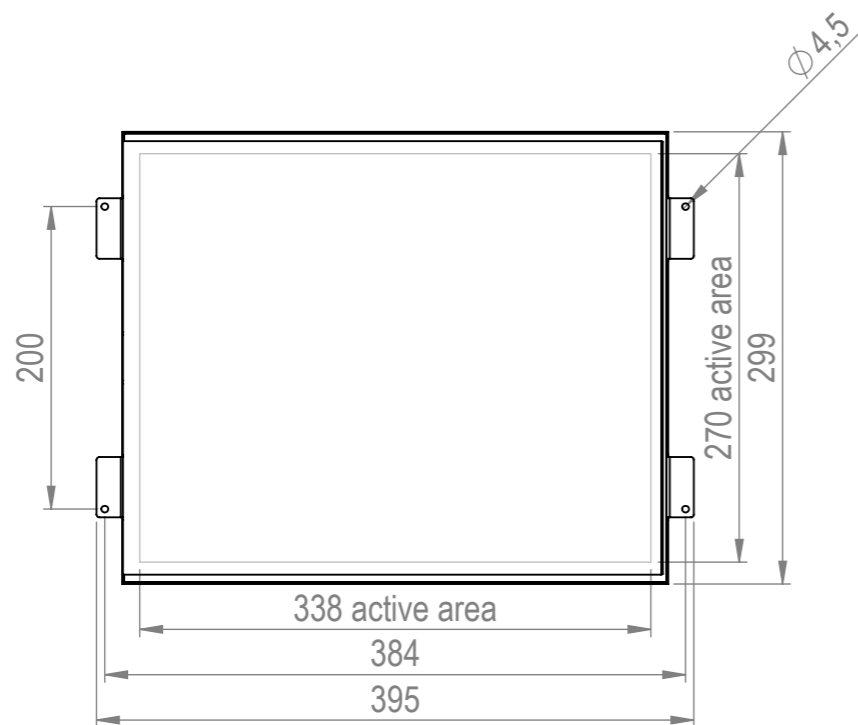
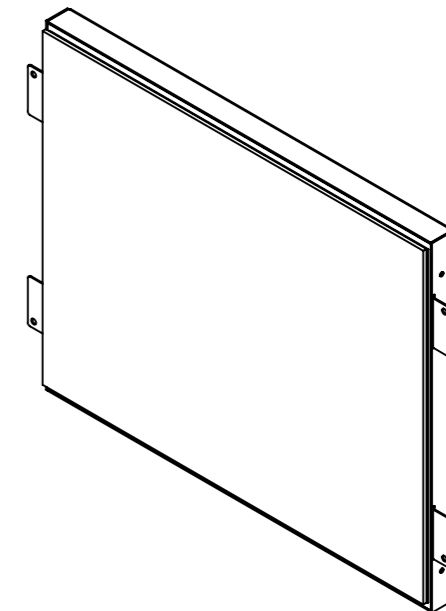
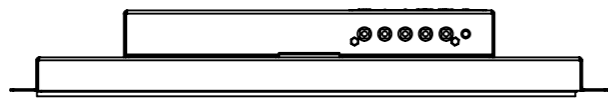


DATE	1-11-2021	DO NOT SCALE DRAWING	REVISION	4
		<b>TFT/Solutions</b>		
MATERIAL:	-	TITLE:	Openframe	
FINISH:	-	DWG NO.	TFT-17-OF5-00	A3
		SCALE:1:5	SHEET 1 OF 8	

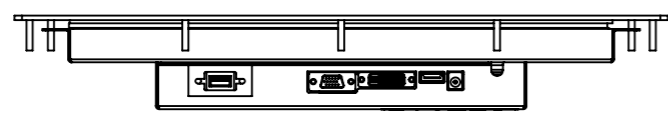
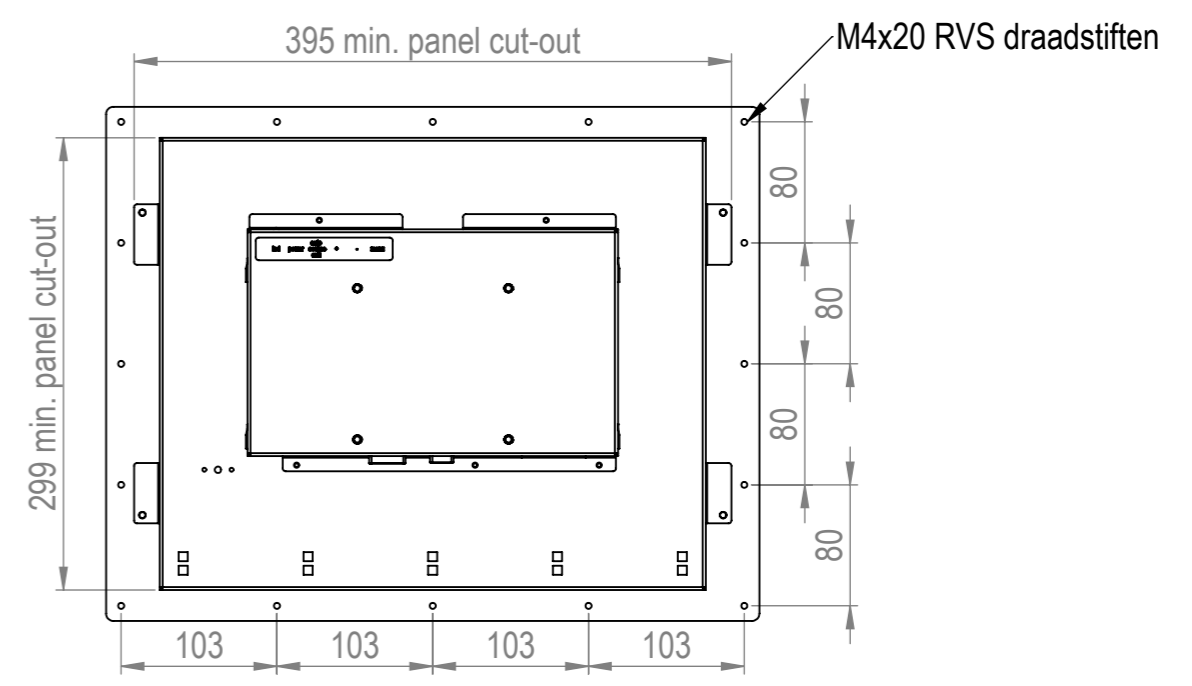
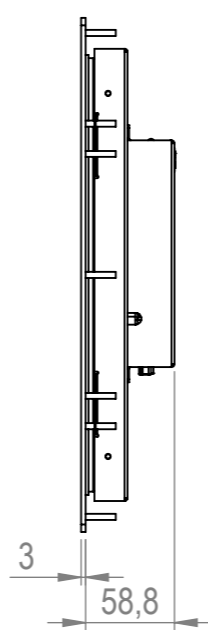
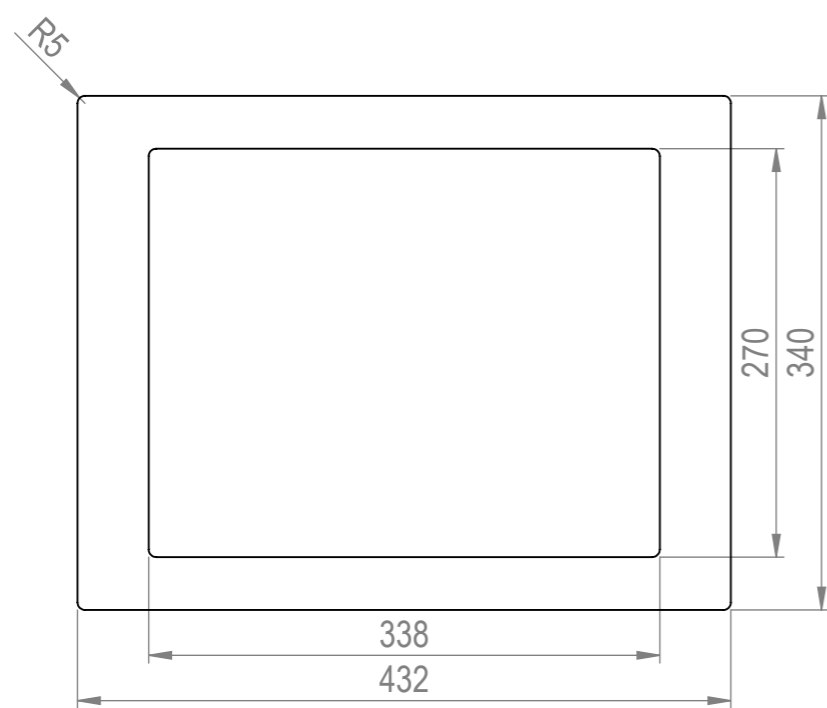
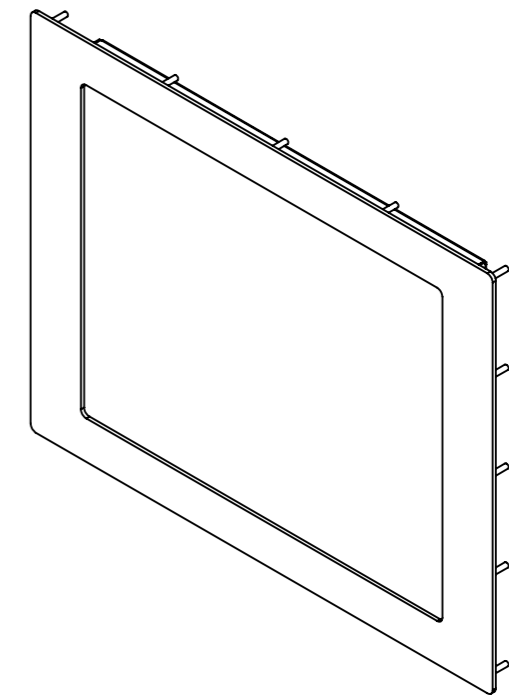
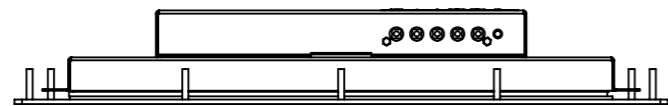


Note: Panelmount has different height than IRtouch and PCAP version (340mm instead of 350mm)

DATE	1-11-2021	DO NOT SCALE DRAWING	REVISION	4
		<b>TFT/Solutions</b>		
MATERIAL:	-	TITLE:	Panelmount	
FINISH:	-	DWG NO.	TFT-17-OF5-00	A3
			SCALE:1:5	SHEET 2 OF 8

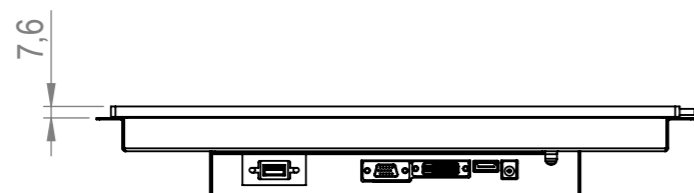
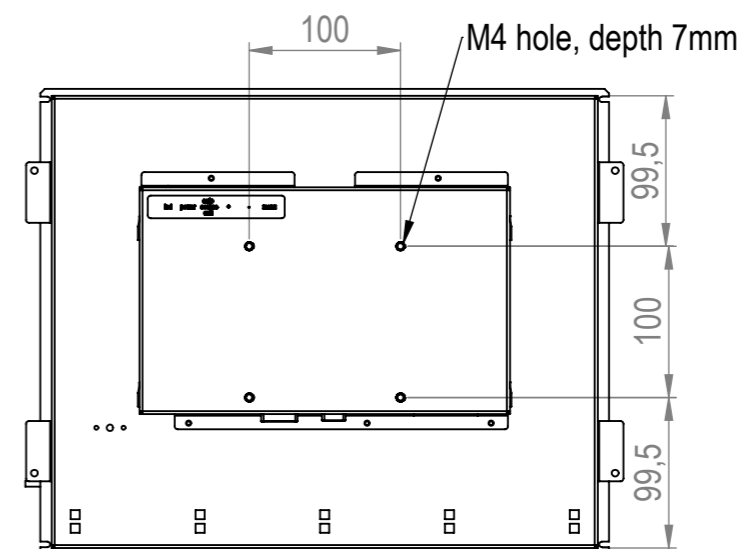
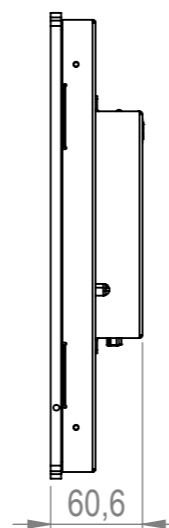
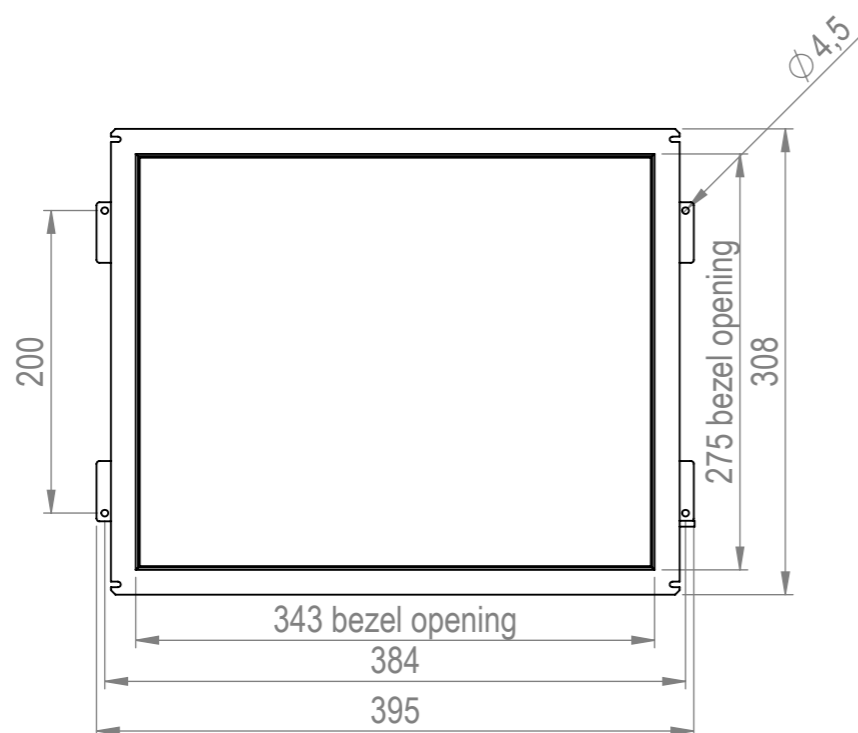
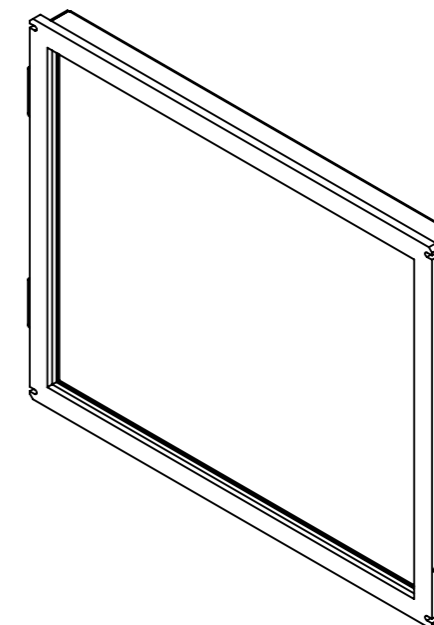
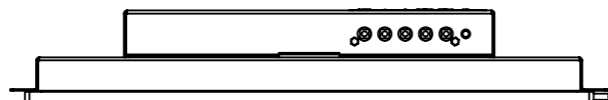


DATE	1-11-2021	DO NOT SCALE DRAWING	REVISION	4
		<b>TFT/Solutions</b>		
MATERIAL:	-	TITLE: Resistive openframe		
FINISH:	-	DWG NO.	TFT-17-OF5-00	A3
		SCALE:1:5	SHEET 3 OF 8	

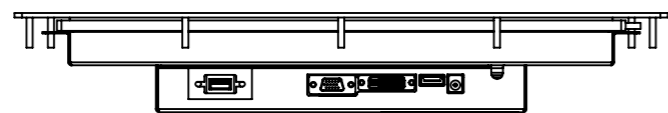
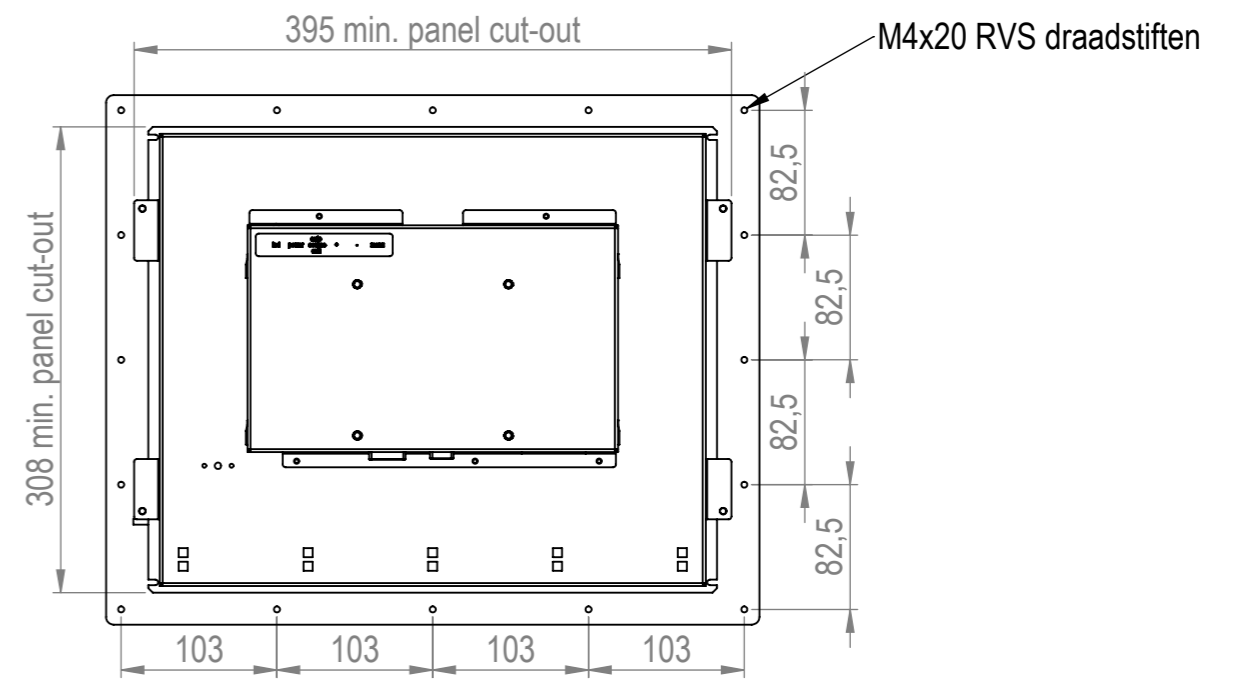
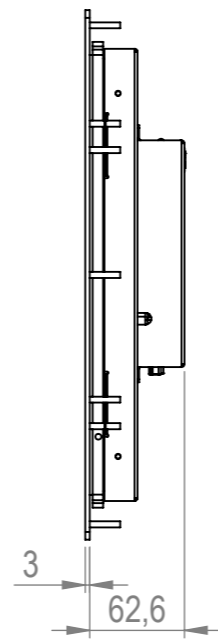
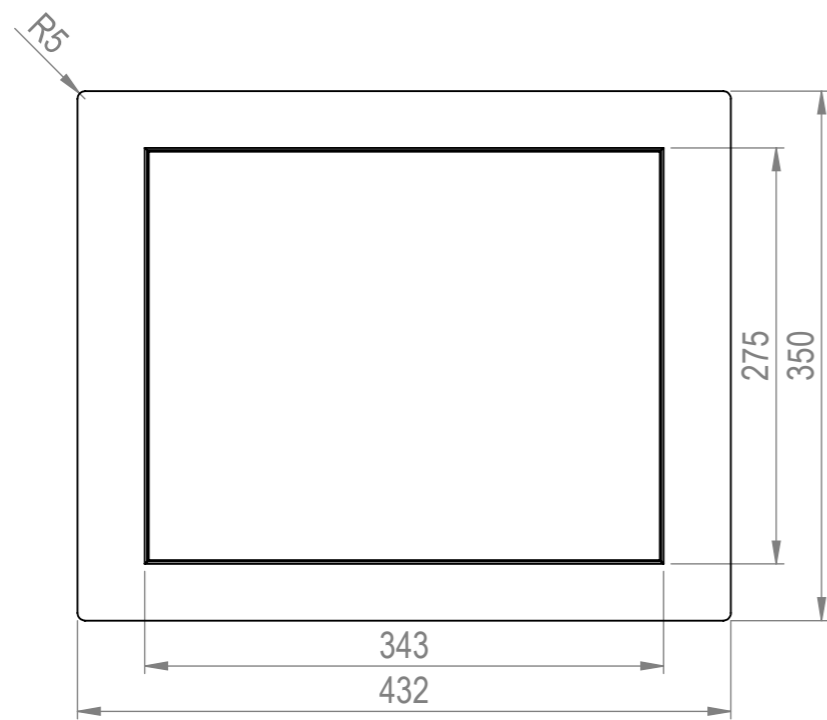
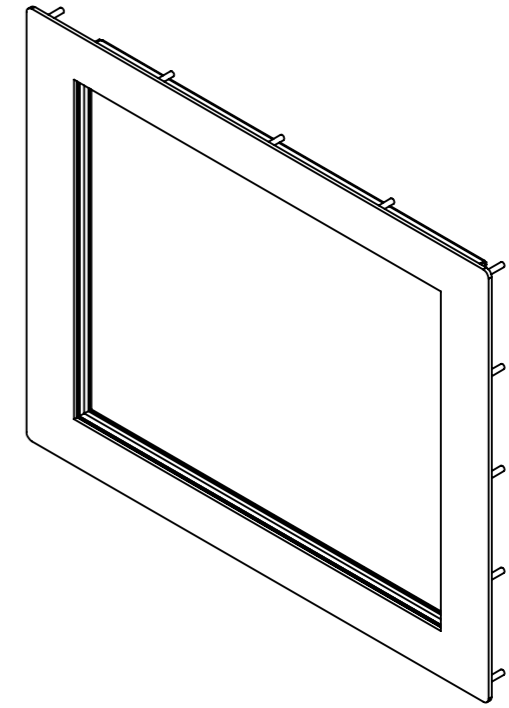
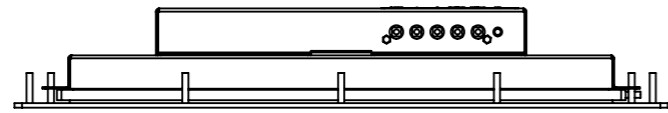


Note: Panelmount has different height than IRtouch and PCAP version (340mm instead of 350mm)

DATE	1-11-2021	DO NOT SCALE DRAWING	REVISION	4
		<b>TFT/Solutions</b>		
MATERIAL:	-	TITLE:	Resistive panelmount	
FINISH:	-	DWG NO.	TFT-17-OF5-00	A3
		SCALE:1:5	SHEET 4 OF 8	

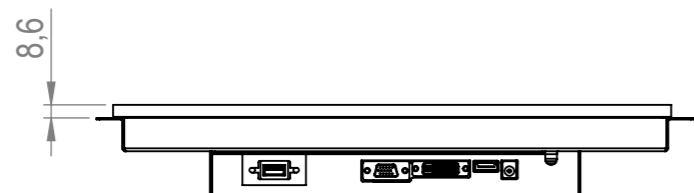
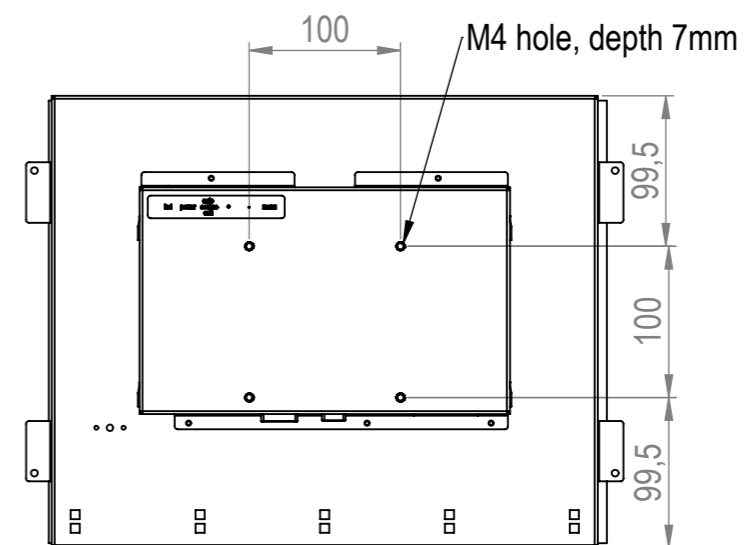
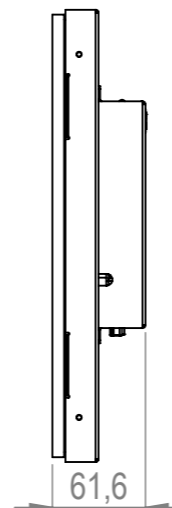
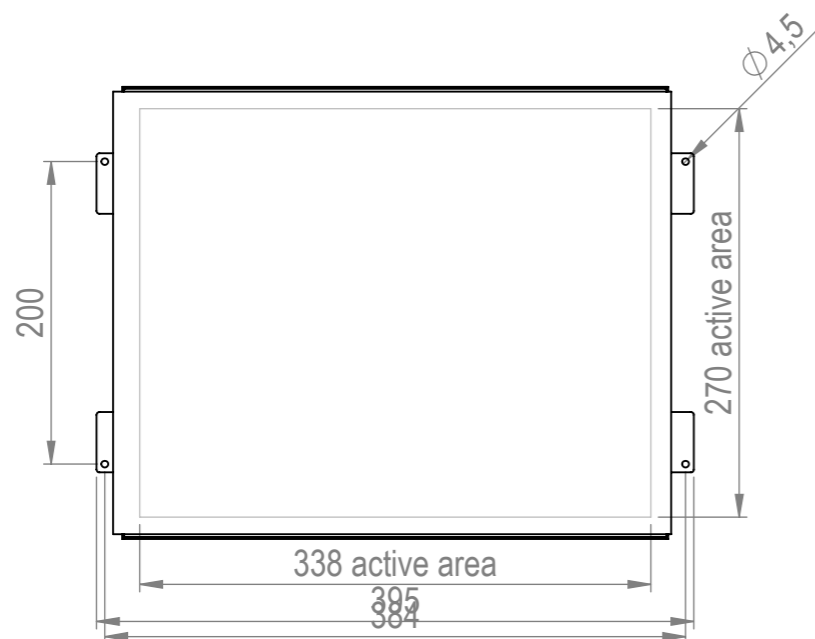
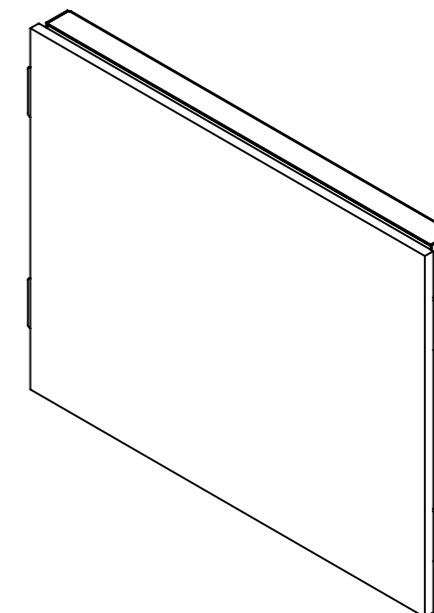
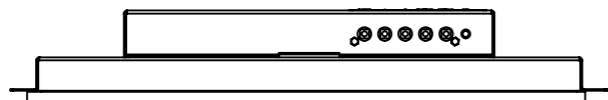


DATE	1-11-2021	DO NOT SCALE DRAWING	REVISION	4
MATERIAL:	-	<b>TFT/Solutions</b>		
FINISH:	-	IRtouch openframe		
		DWG NO.	TFT-17-OF5-00	A3
		SCALE:1:5	SHEET 5 OF 8	

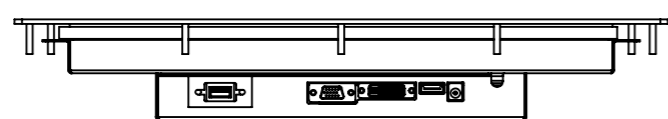
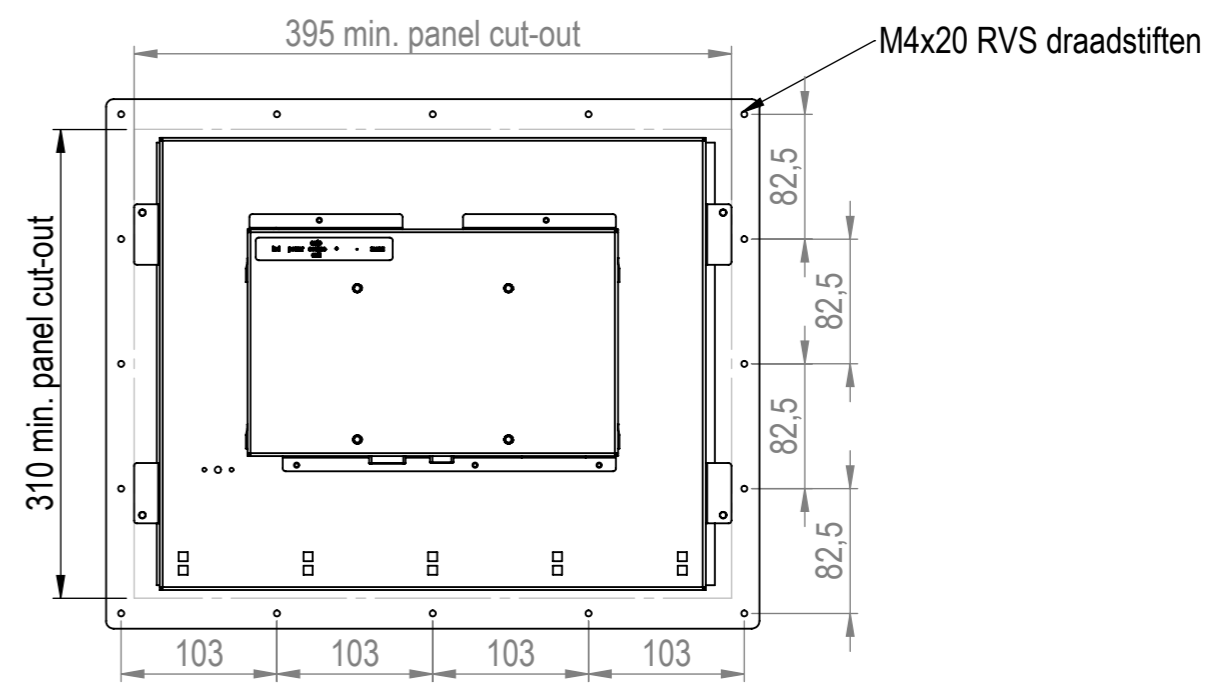
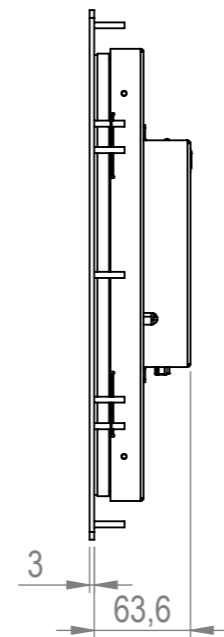
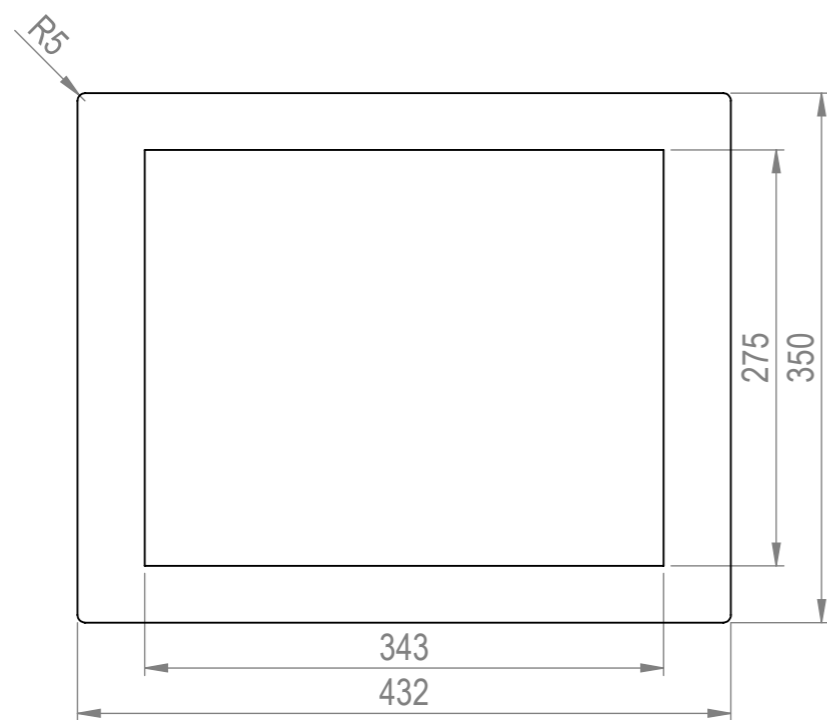
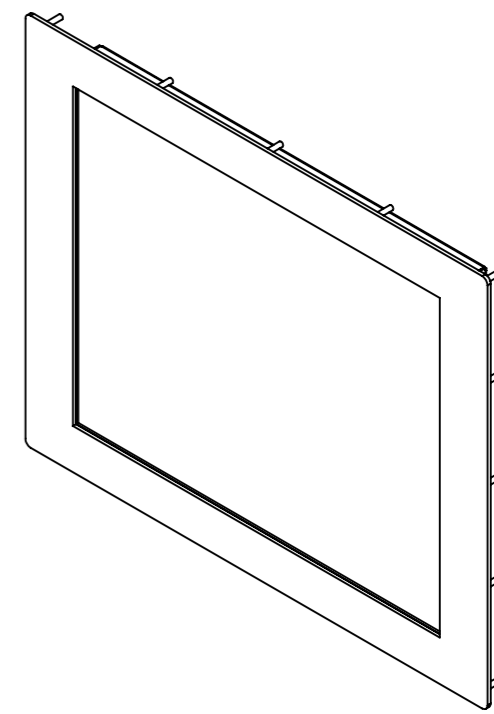
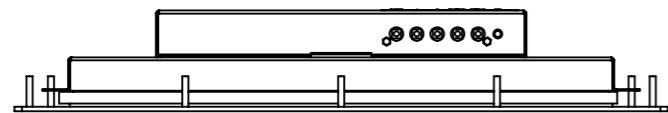


Note: Panelmount has different height than non touch and resistive version (350mm instead of 340mm)

DATE	1-11-2021	DO NOT SCALE DRAWING	REVISION	4
		<b>TFT/Solutions</b>		
MATERIAL:	-	TITLE:	IRtouch panelmount	
FINISH:	-	DWG NO.	TFT-17-OF5-00	A3
		SCALE:1:5	SHEET 6 OF 8	



DATE	1-11-2021	DO NOT SCALE DRAWING	REVISION	4
		<b>TFT/Solutions</b>		
MATERIAL:	-	TITLE:	7.8mm PCAP openframe	
FINISH:	-	DWG NO.	TFT-17-OF5-00	A3
		SCALE:1:5	SHEET 7 OF 8	



Note: Panelmount has different height than non touch and resistive version (350mm instead of 340mm)

DATE	1-11-2021	DO NOT SCALE DRAWING	REVISION	4
		<b>TFT/Solutions</b>		
MATERIAL:	-	TITLE:	7.8mm PCAP panelmount	
FINISH:	-	DWG NO.	TFT-17-OF5-00	A3
		SCALE:1:5	SHEET 8 OF 8	