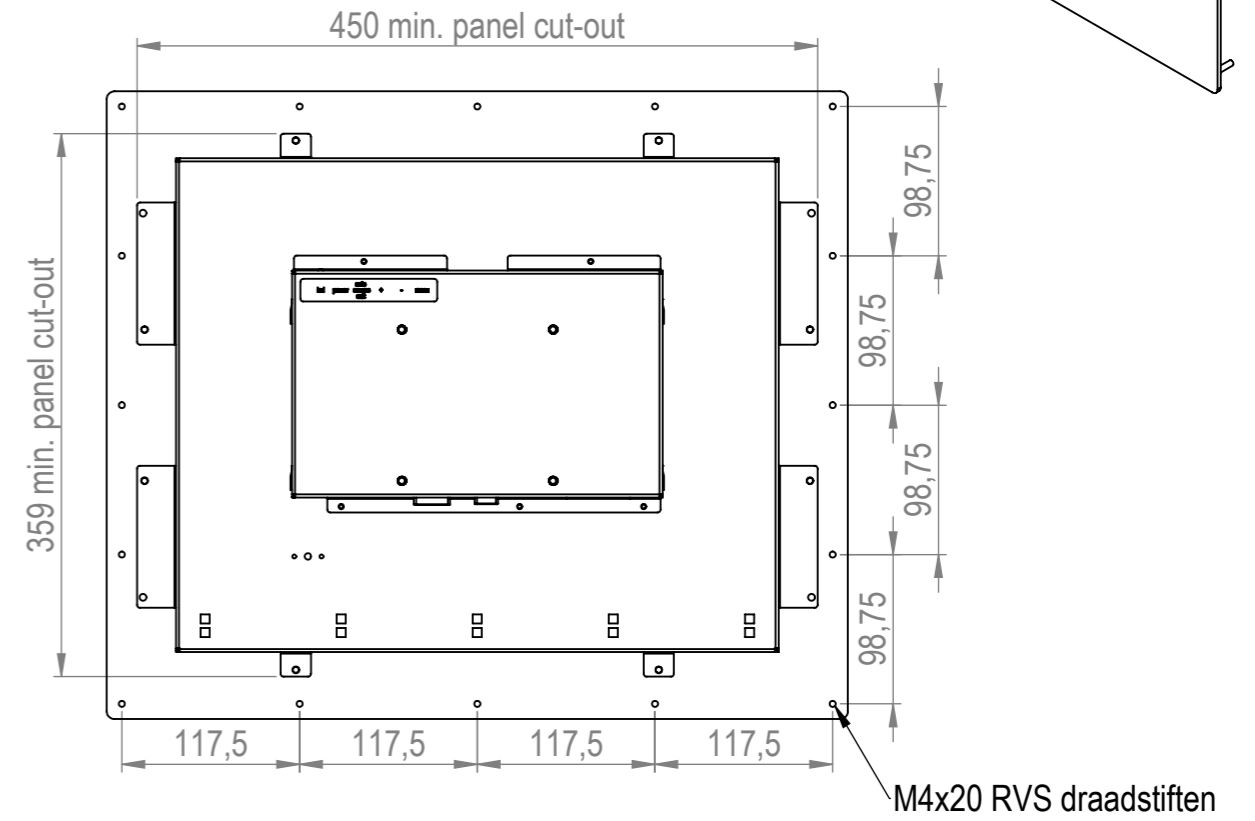
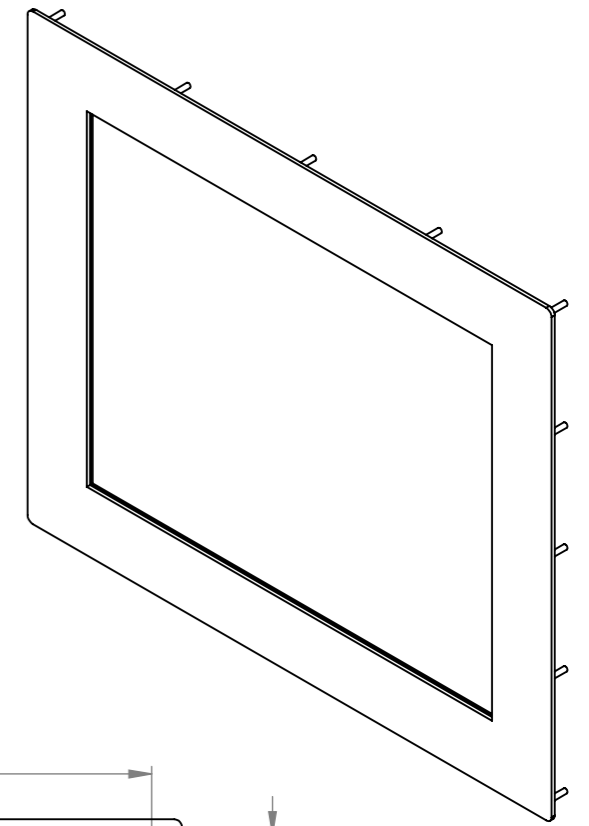
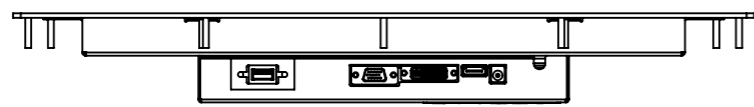
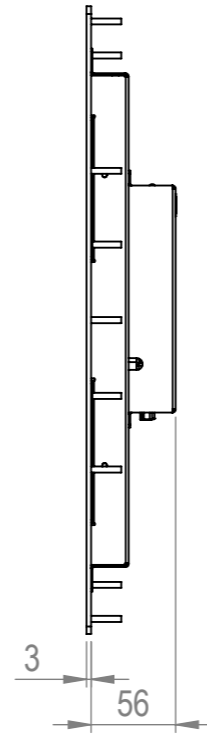
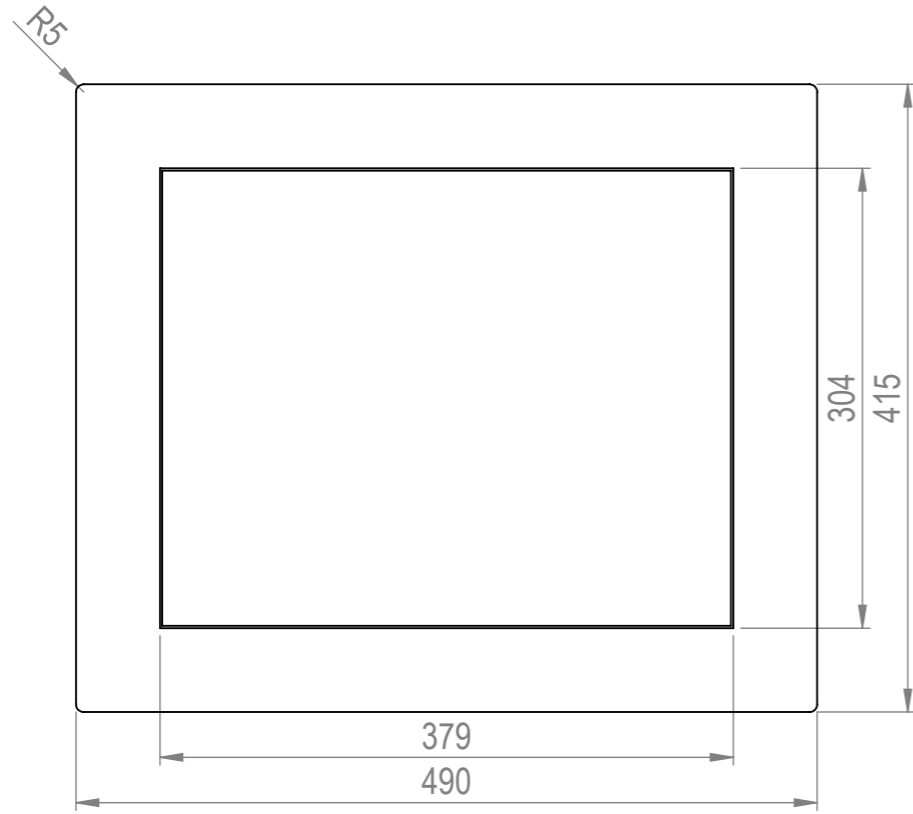
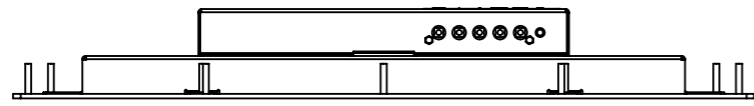
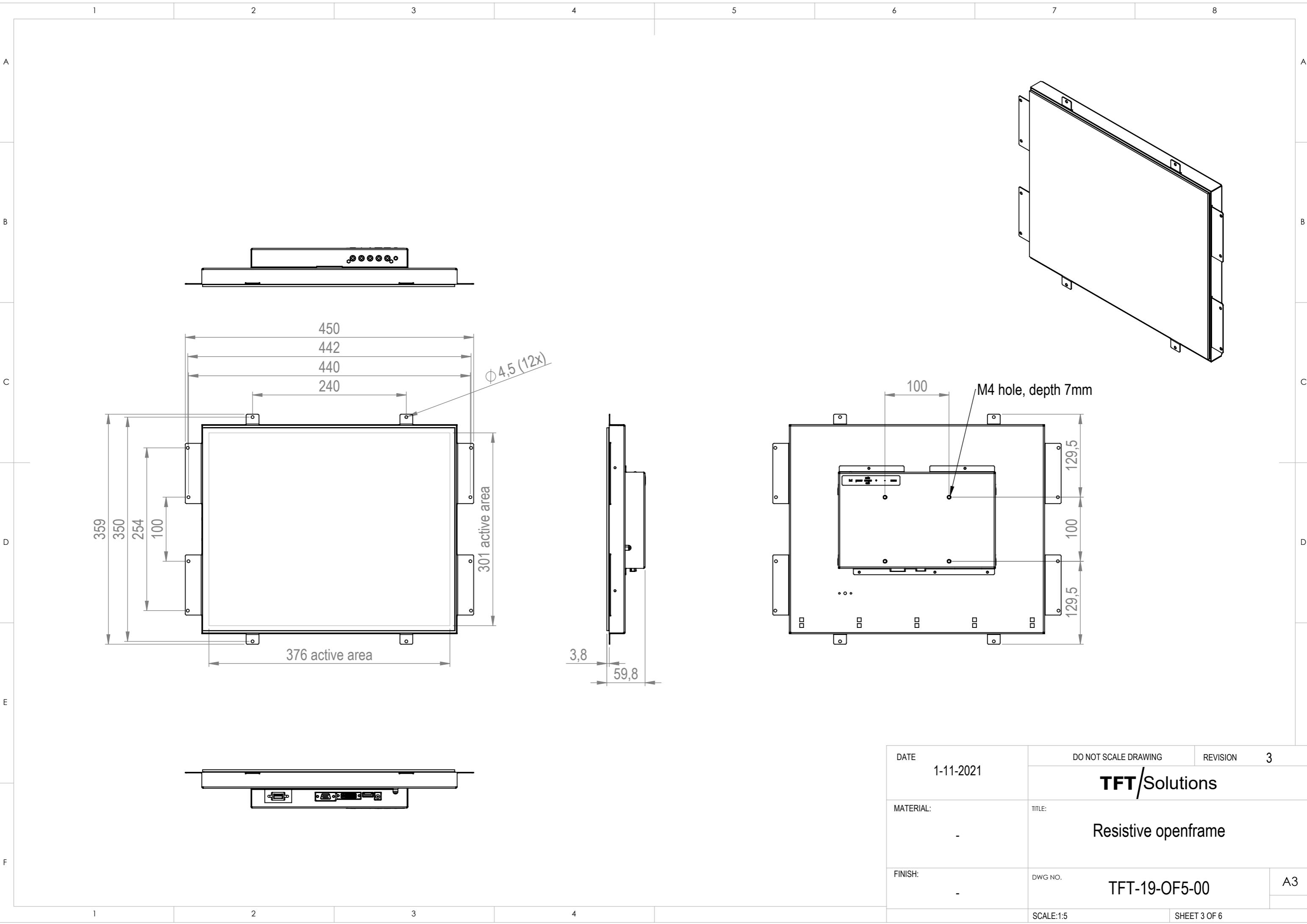


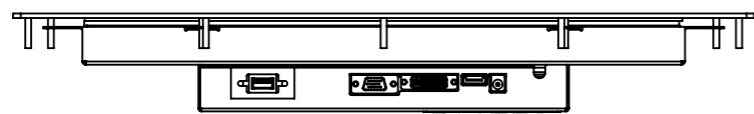
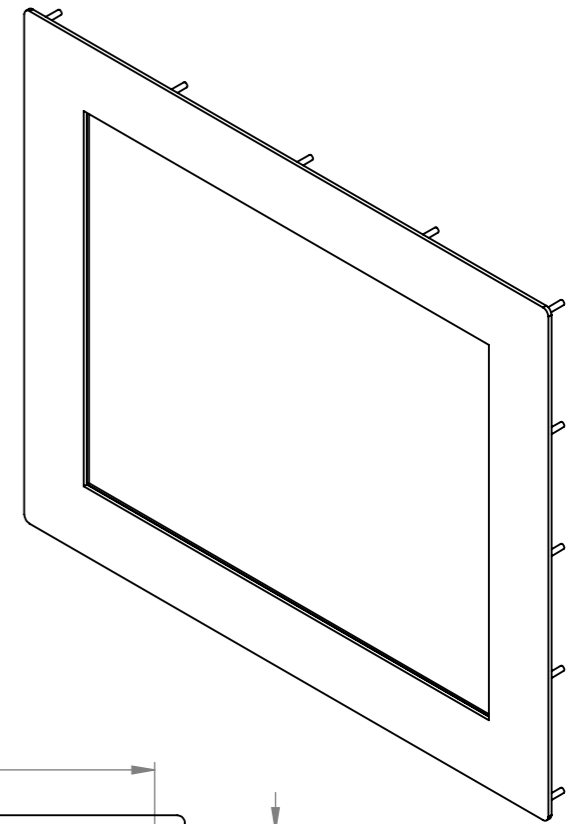
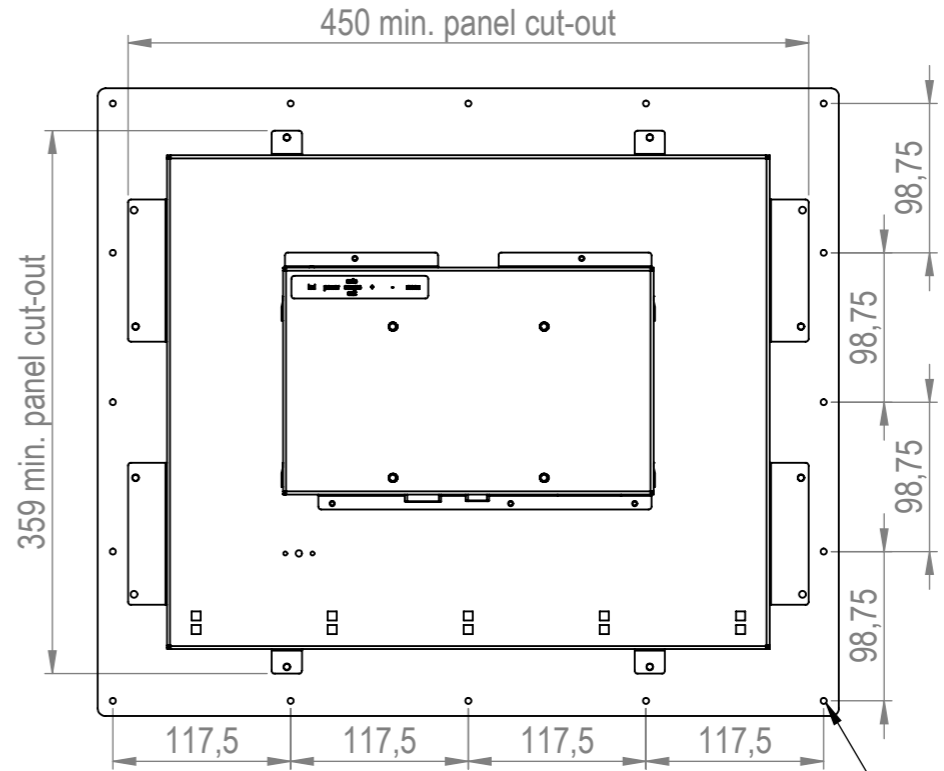
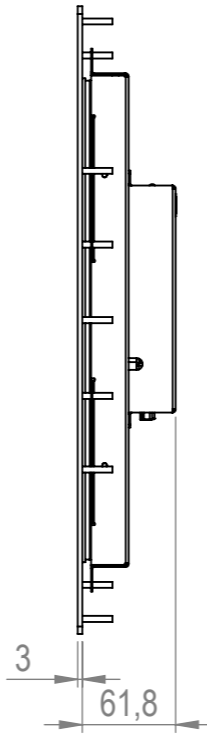
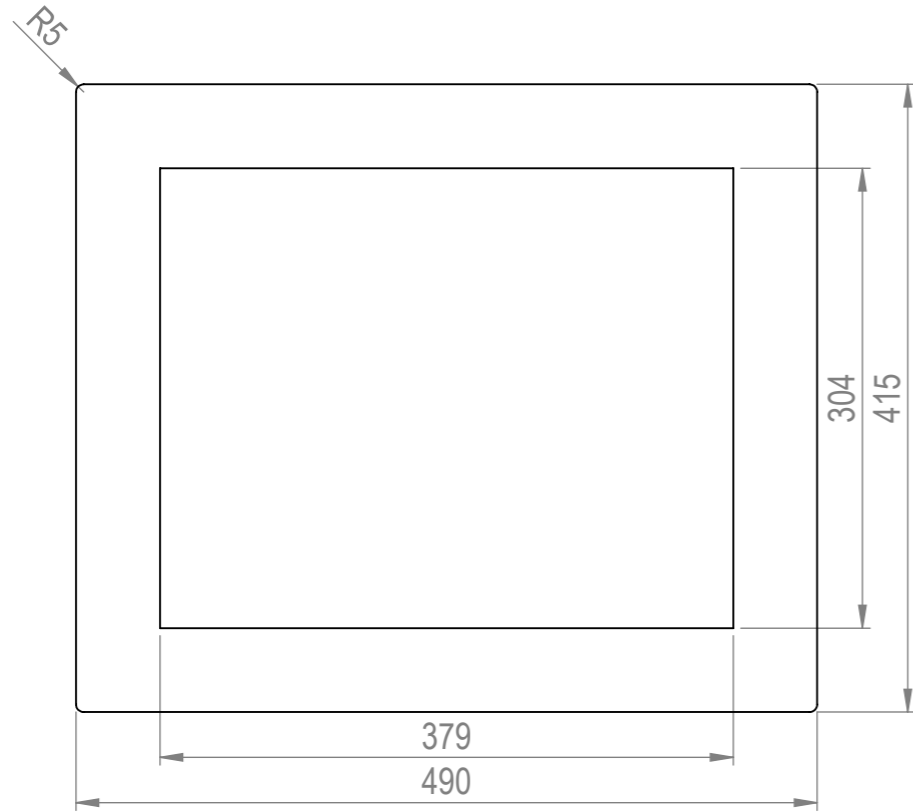
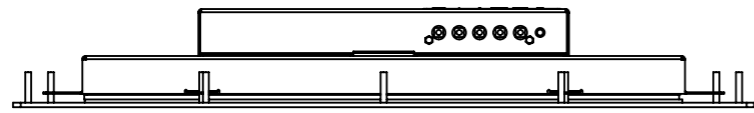
DATE	1-11-2021	DO NOT SCALE DRAWING	REVISION	3
		TFT/Solutions		
MATERIAL:	-	TITLE: Openframe		
FINISH:	-	DWG NO.	TFT-19-OF5-00	A3
		SCALE:1:5	SHEET 1 OF 6	



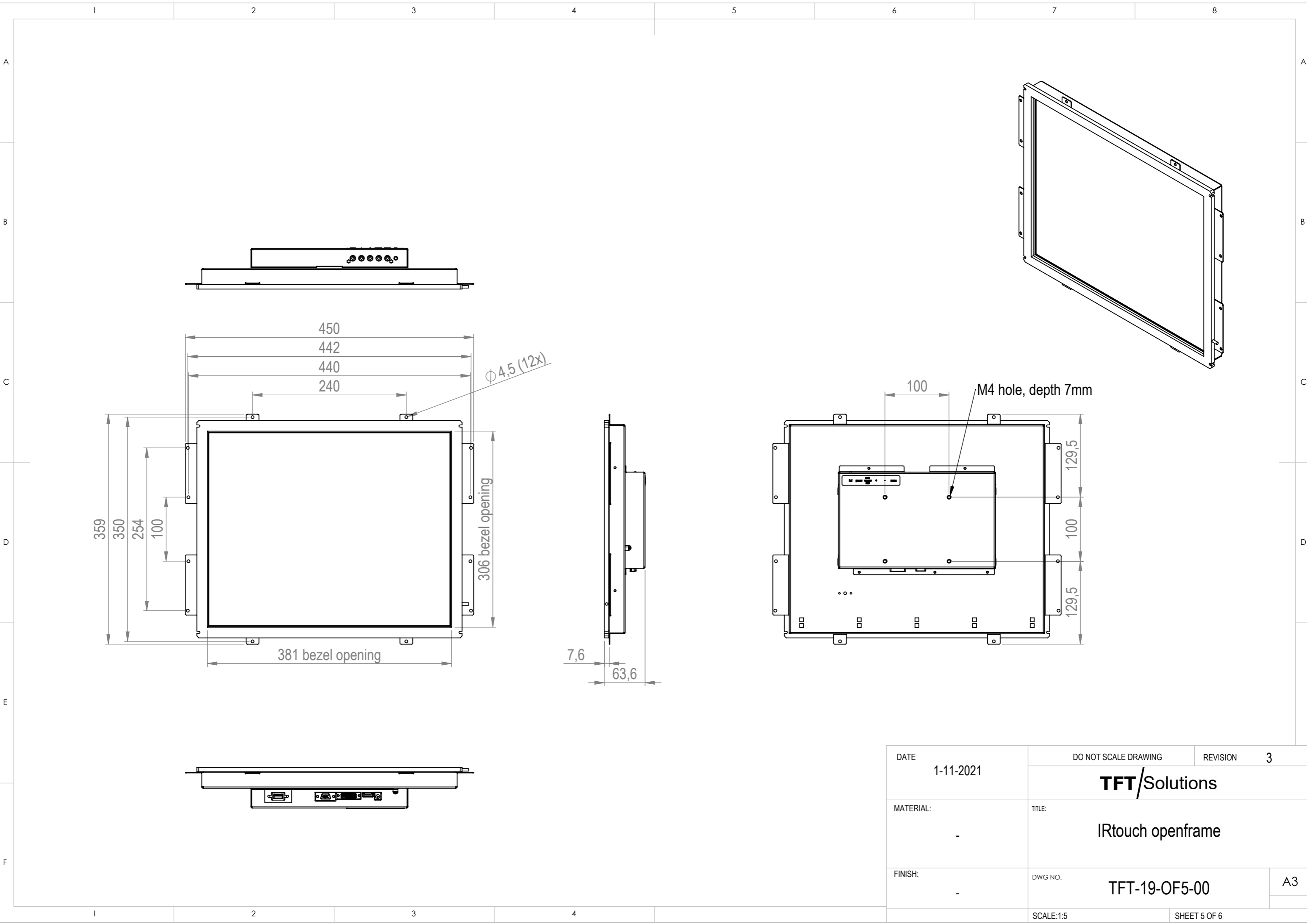
DATE	1-11-2021	DO NOT SCALE DRAWING	REVISION	3
		TFT/Solutions		
MATERIAL:	-	TITLE:	Panelmount	
FINISH:	-	DWG NO.	TFT-19-OF5-00	A3
		SCALE:1:5	SHEET 2 OF 6	



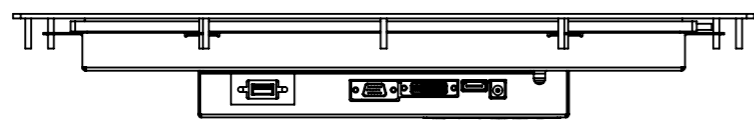
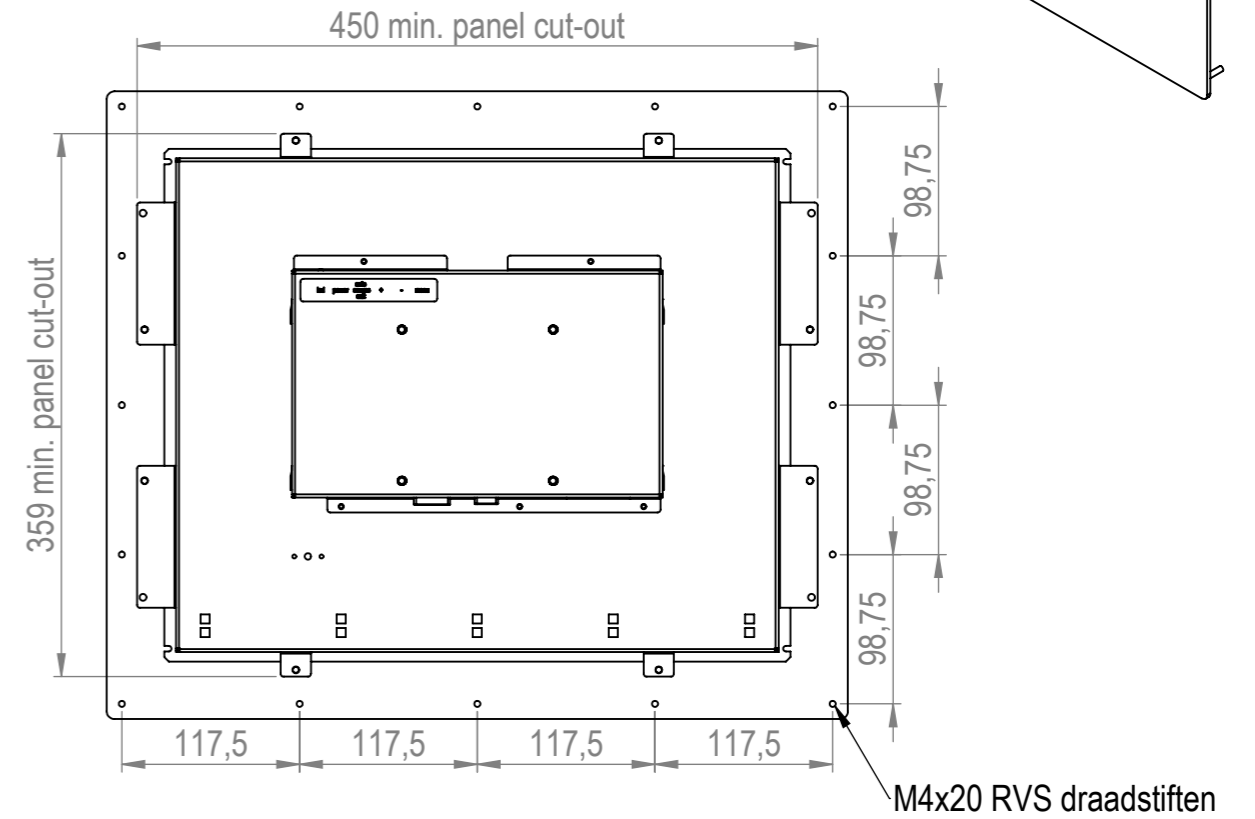
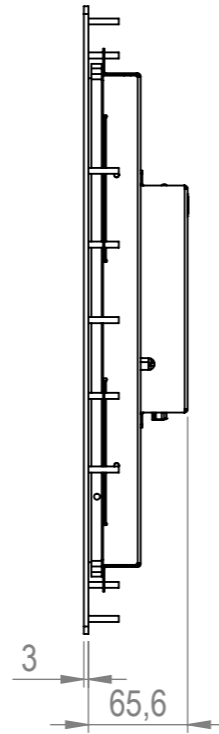
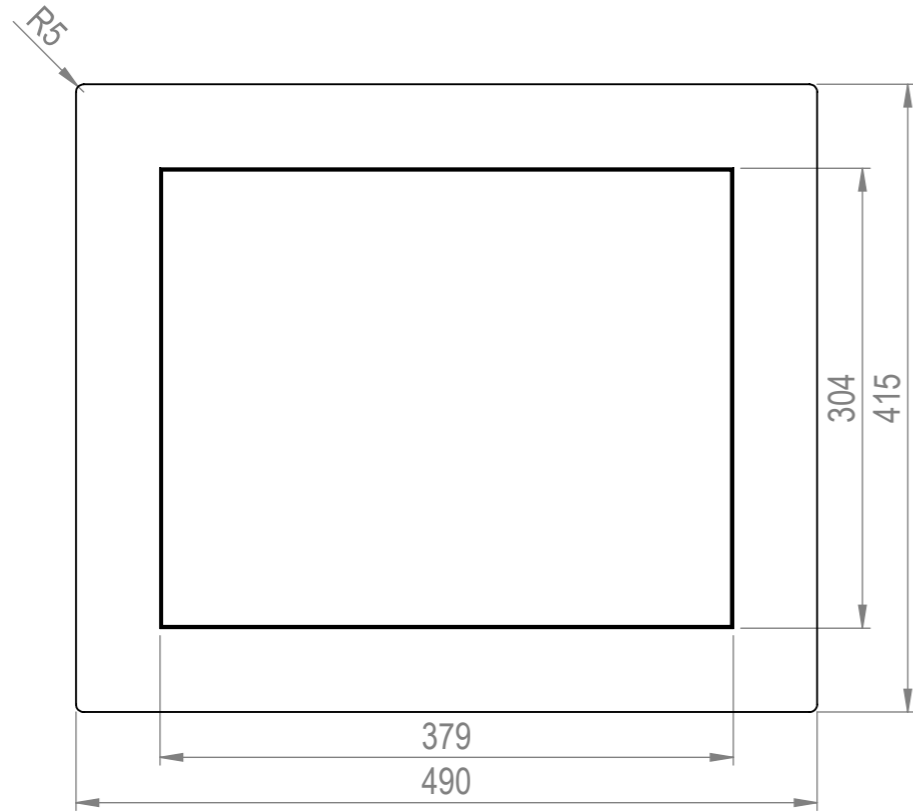
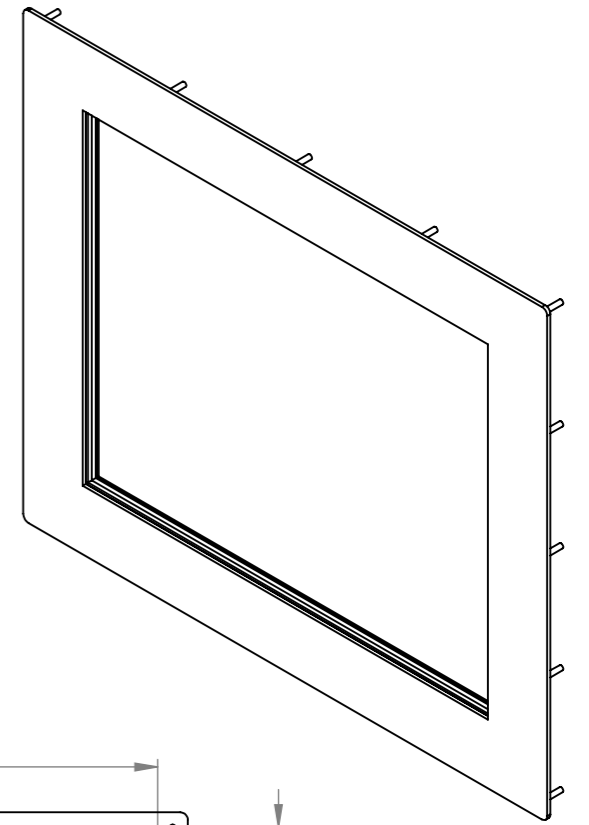
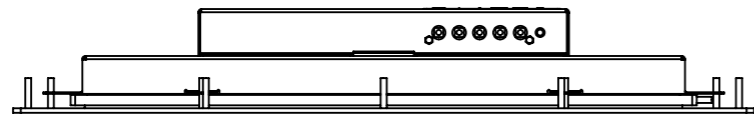
DATE	1-11-2021	DO NOT SCALE DRAWING	REVISION	3
		TFT/Solutions		
MATERIAL:	-	TITLE: Resistive openframe		
FINISH:	-	DWG NO.	TFT-19-OF5-00	A3
		SCALE:1:5	SHEET 3 OF 6	



DATE	1-11-2021	DO NOT SCALE DRAWING	REVISION	3
MATERIAL:	-	TFT/Solutions		
FINISH:	-	Resistive panelmount		
		DWG NO.	TFT-19-OF5-00	A3
		SCALE:1:5	SHEET 4 OF 6	



DATE	1-11-2021	DO NOT SCALE DRAWING	REVISION	3
		TFT/Solutions		
MATERIAL:	-	TITLE: IRtouch openframe		
FINISH:	-	DWG NO.	TFT-19-OF5-00	A3
		SCALE:1:5	SHEET 5 OF 6	



DATE	1-11-2021	DO NOT SCALE DRAWING	REVISION	3
MATERIAL:	-	TFT/Solutions		
FINISH:	-	IRtouch panelmount		
		DWG NO.	TFT-19-OF5-00	A3
		SCALE:1:5	SHEET 6 OF 6	