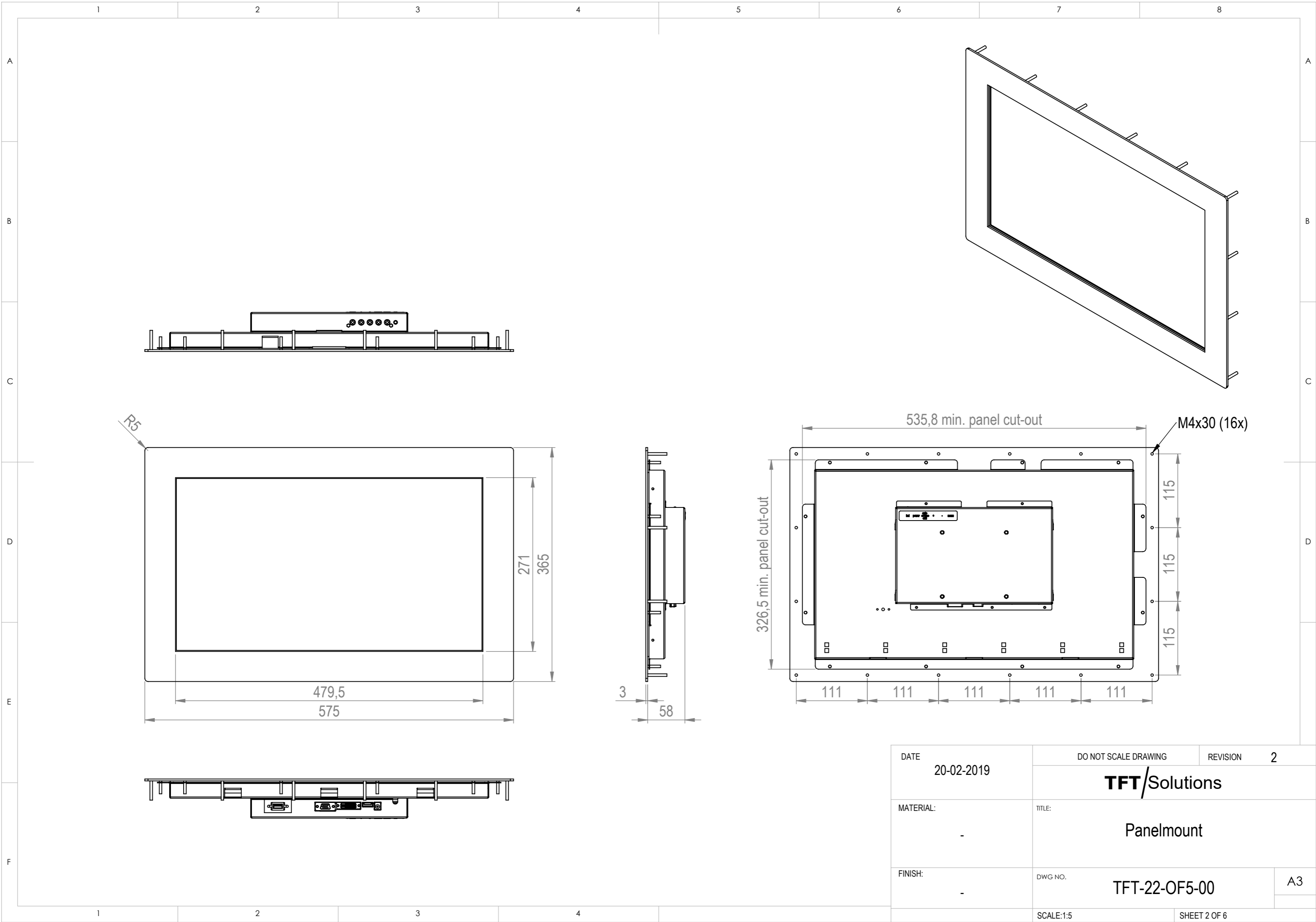
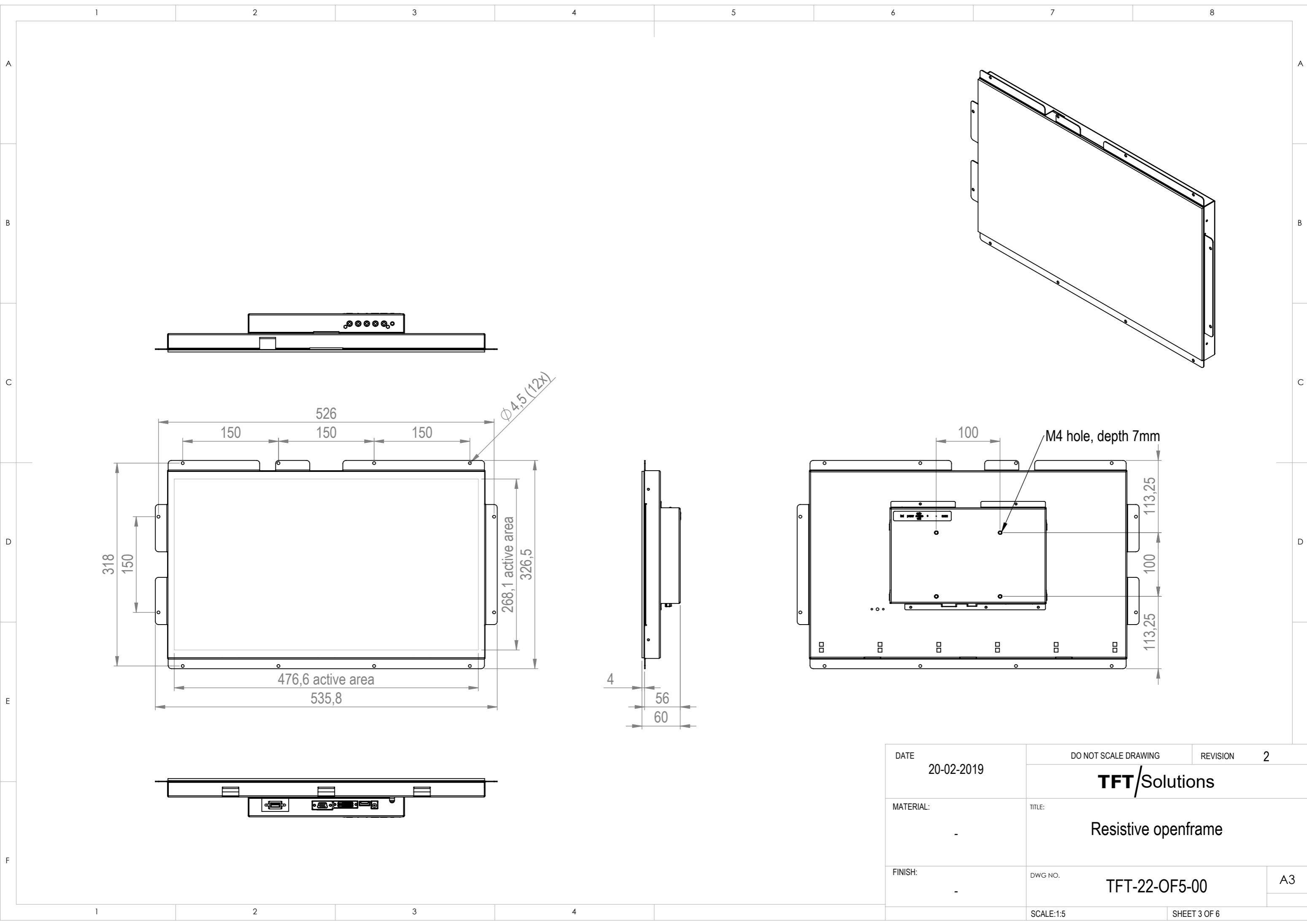


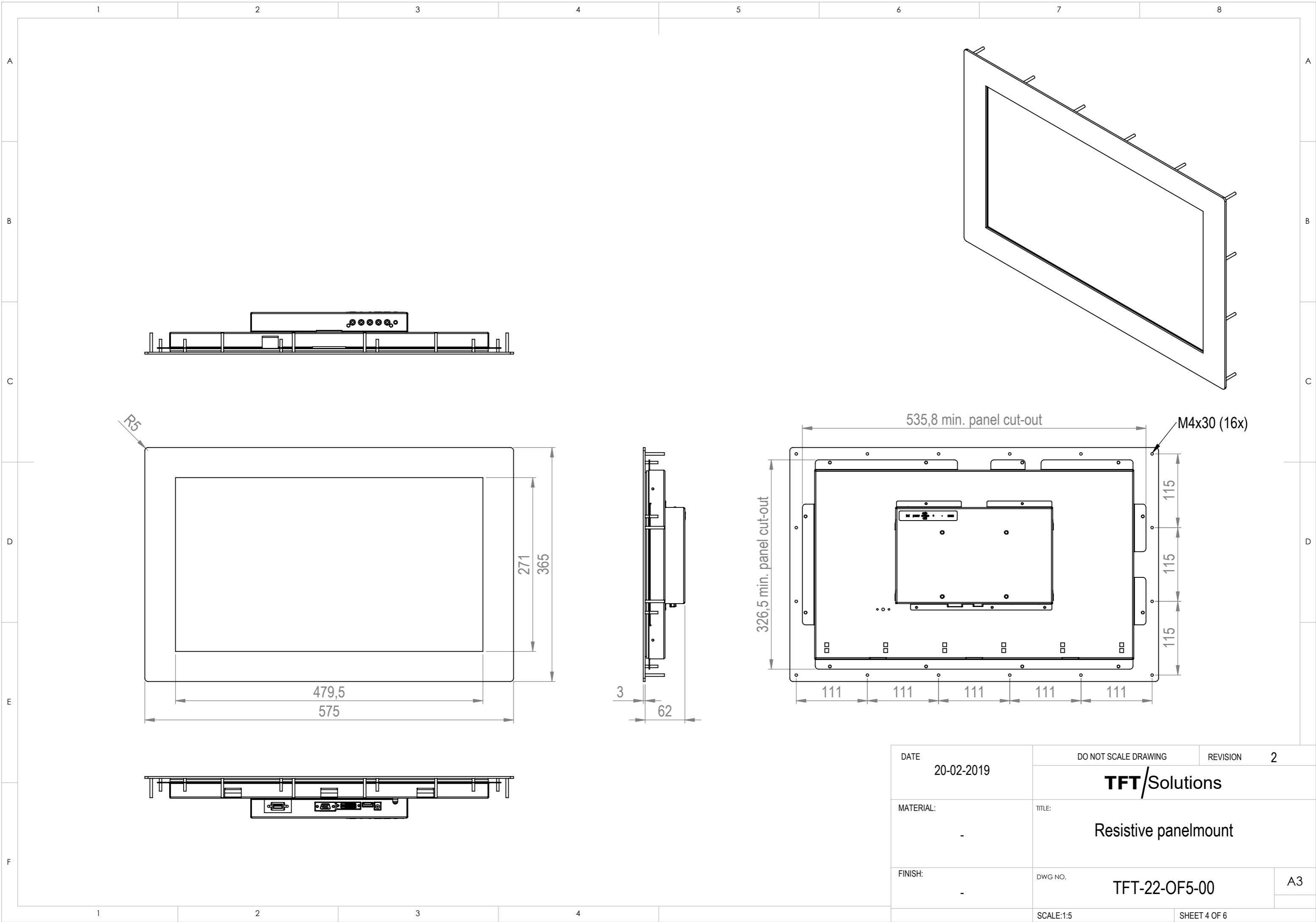
DATE	20-02-2019	DO NOT SCALE DRAWING	REVISION	2
MATERIAL:	-	TFT/Solutions		
FINISH:	-	Openframe		
		DWG NO.	TFT-22-OF5-00	A3
		SCALE:1:5	SHEET 1 OF 6	



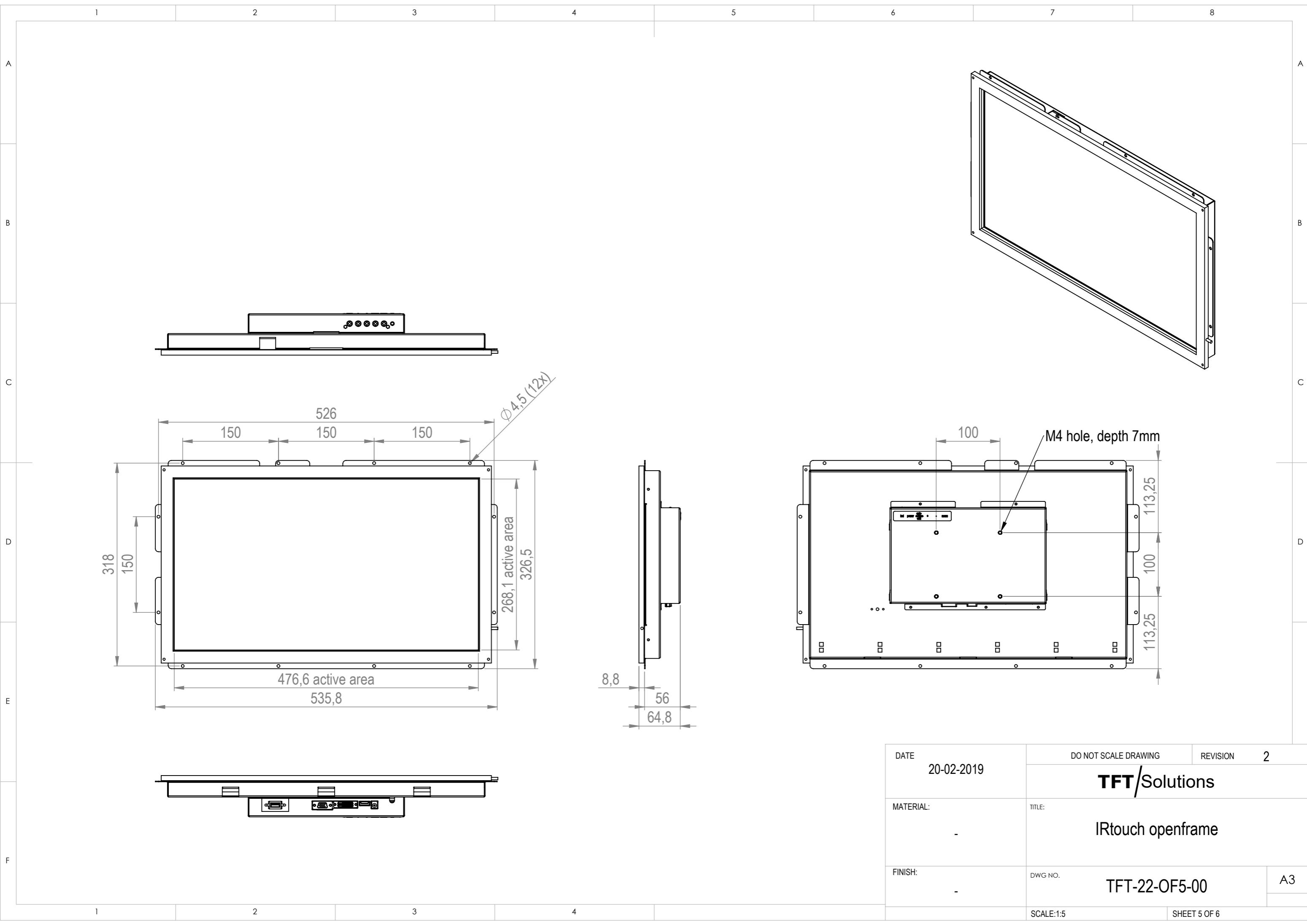
DATE	20-02-2019	DO NOT SCALE DRAWING	REVISION	2
MATERIAL:	-	TFT/Solutions		
FINISH:	-	Panelmount		
		DWG NO.	TFT-22-OF5-00	A3
		SCALE:1:5	SHEET 2 OF 6	



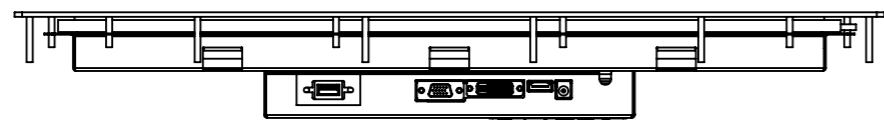
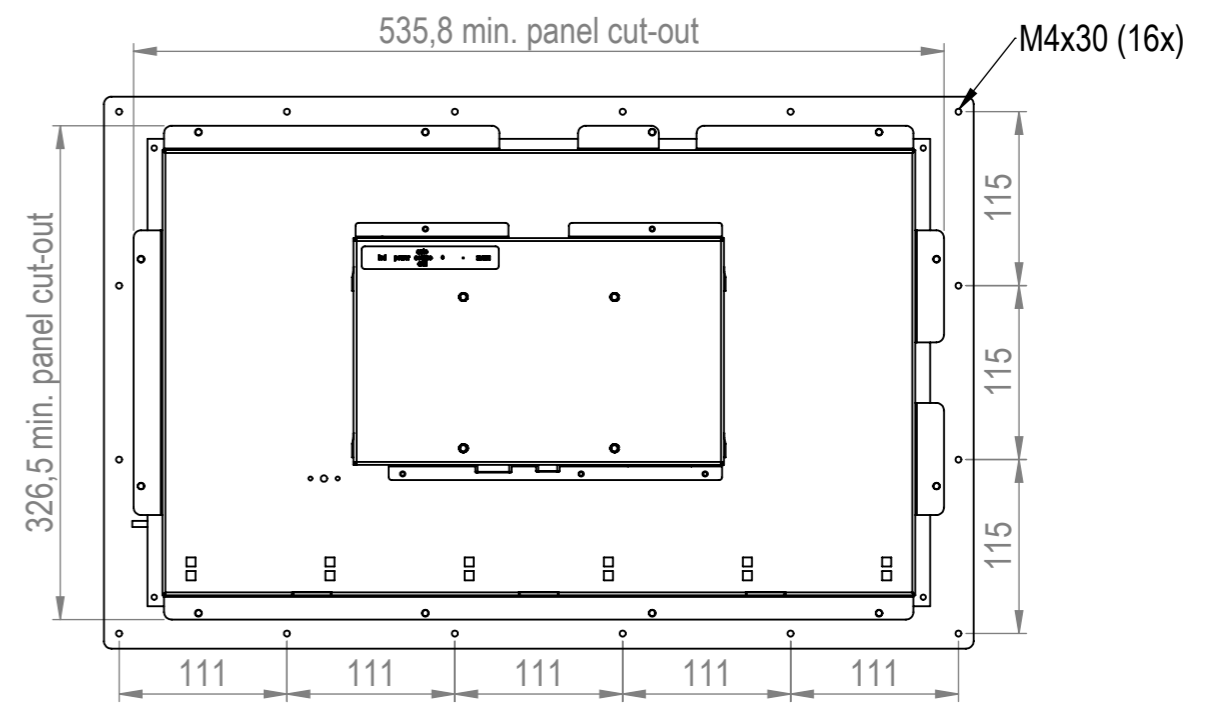
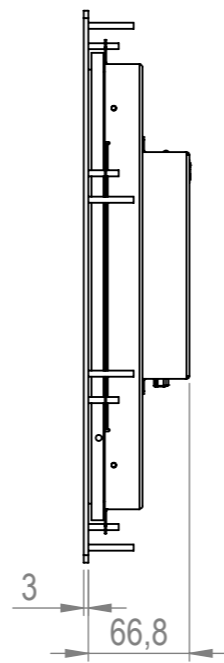
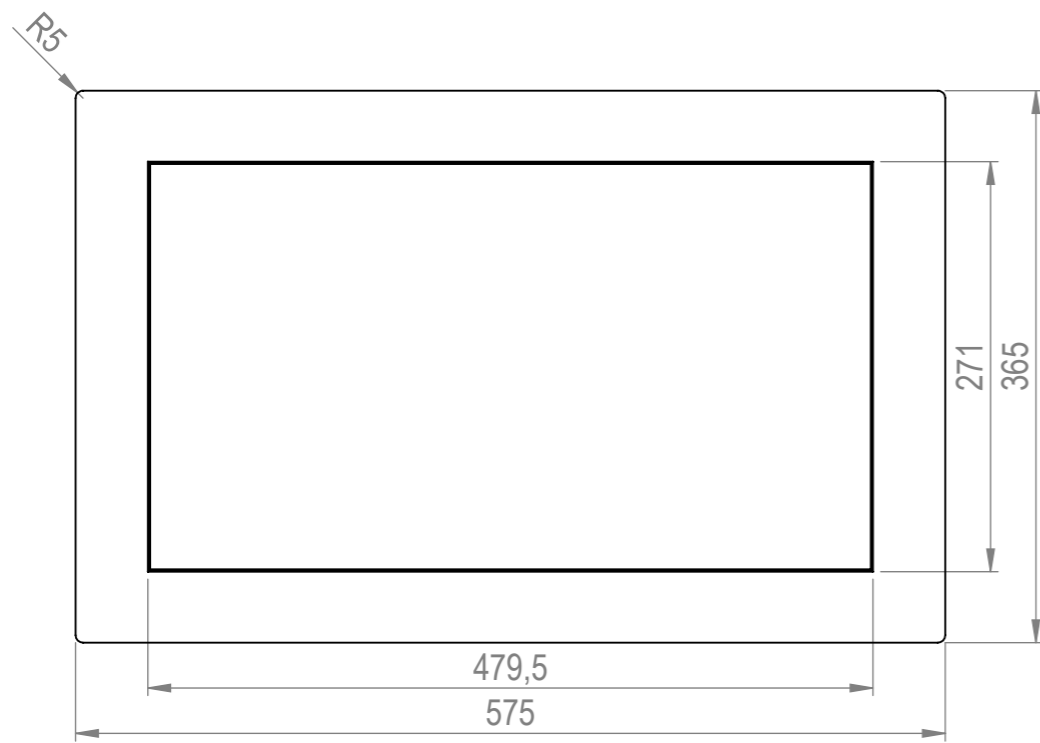
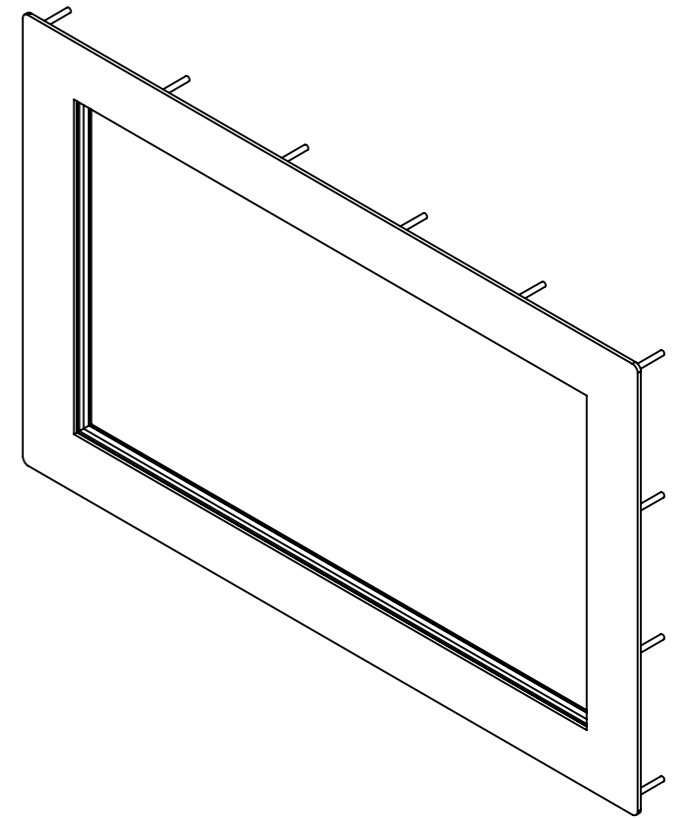
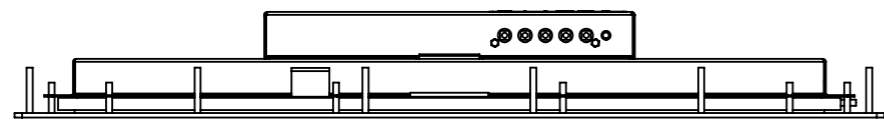
DATE	20-02-2019	DO NOT SCALE DRAWING	REVISION	2
MATERIAL:	-	TFT/Solutions		
FINISH:	-	Resistive openframe		
DWG NO.	TFT-22-OF5-00	SCALE:1:5		A3
		SHEET 3 OF 6		



DATE	20-02-2019	DO NOT SCALE DRAWING	REVISION	2
MATERIAL:	-	TFT/Solutions		
FINISH:	-	Resistive panelmount		
		DWG NO.	TFT-22-OF5-00	A3
		SCALE:1:5	SHEET 4 OF 6	



DATE	20-02-2019	DO NOT SCALE DRAWING	REVISION	2
MATERIAL:	-	TFT/Solutions		
FINISH:	-	IRtouch openframe		
		DWG NO.	TFT-22-OF5-00	A3
		SCALE:1:5	SHEET 5 OF 6	



DATE	20-02-2019	DO NOT SCALE DRAWING	REVISION	2
MATERIAL:	-	TFT/Solutions		
FINISH:	-	IRtouch panelmount		
		DWG NO.	TFT-22-OF5-00	A3
		SCALE:1:5	SHEET 6 OF 6	