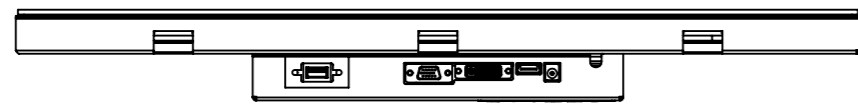
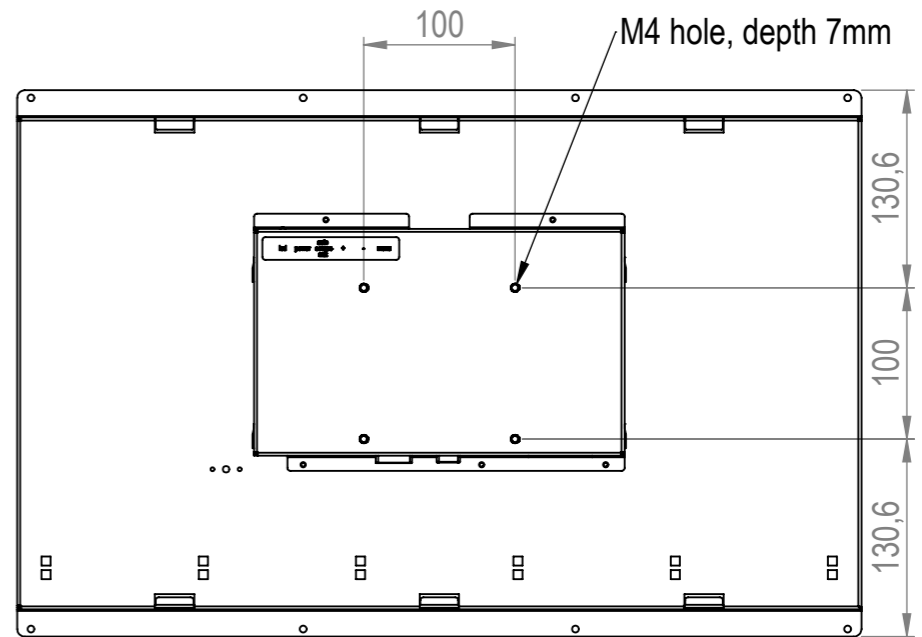
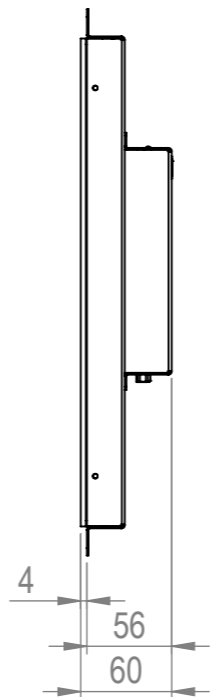
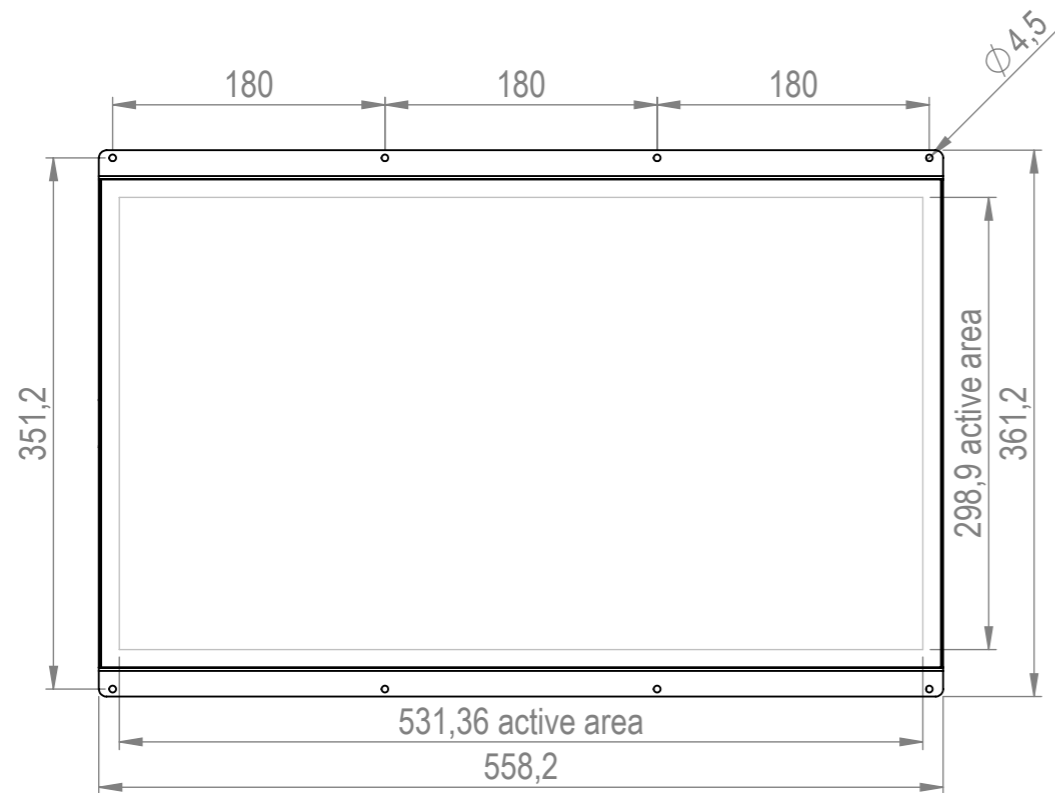
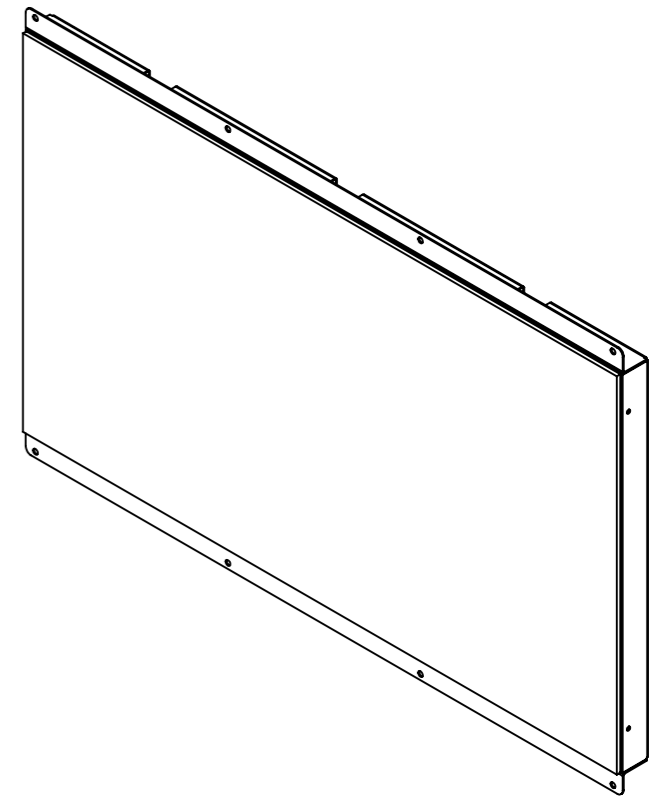
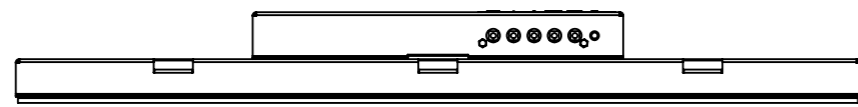
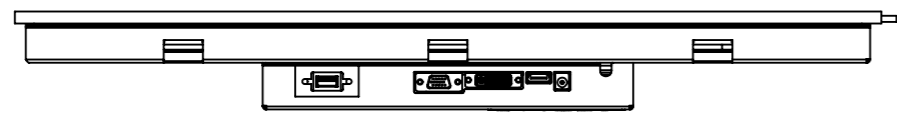
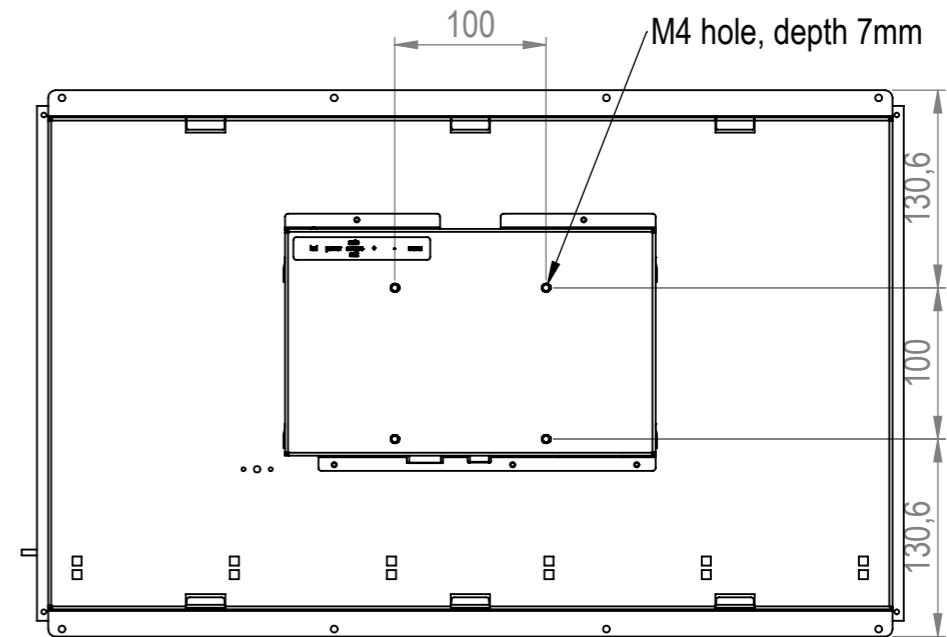
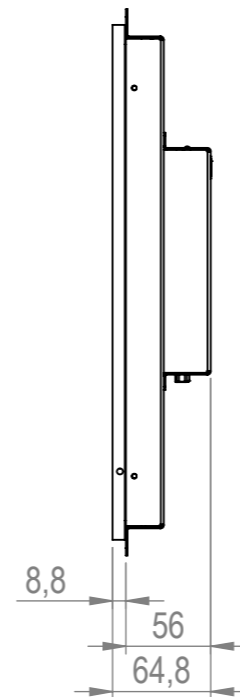
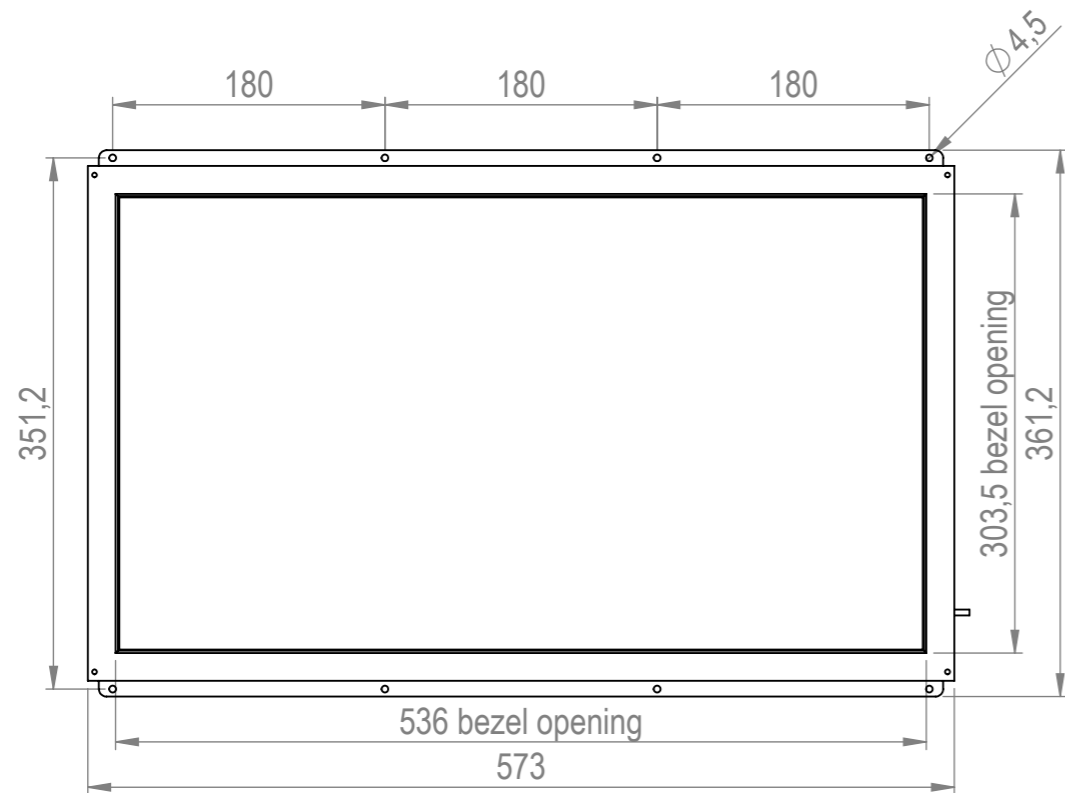
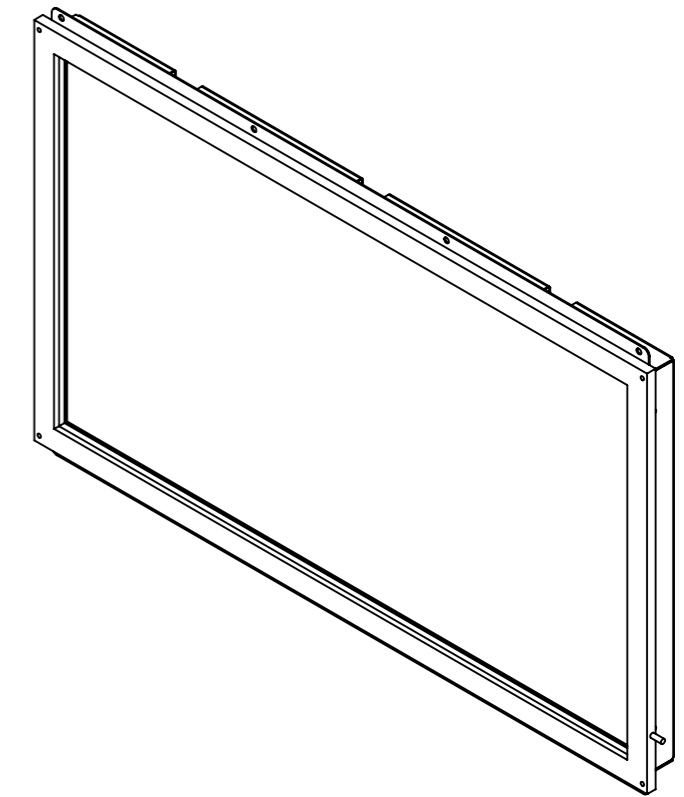
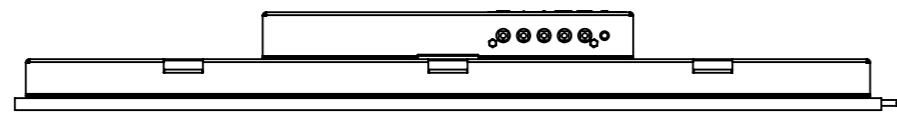


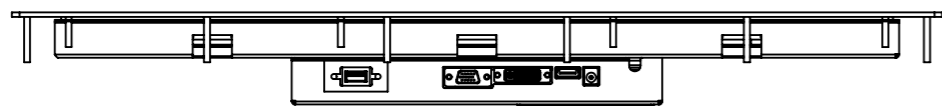
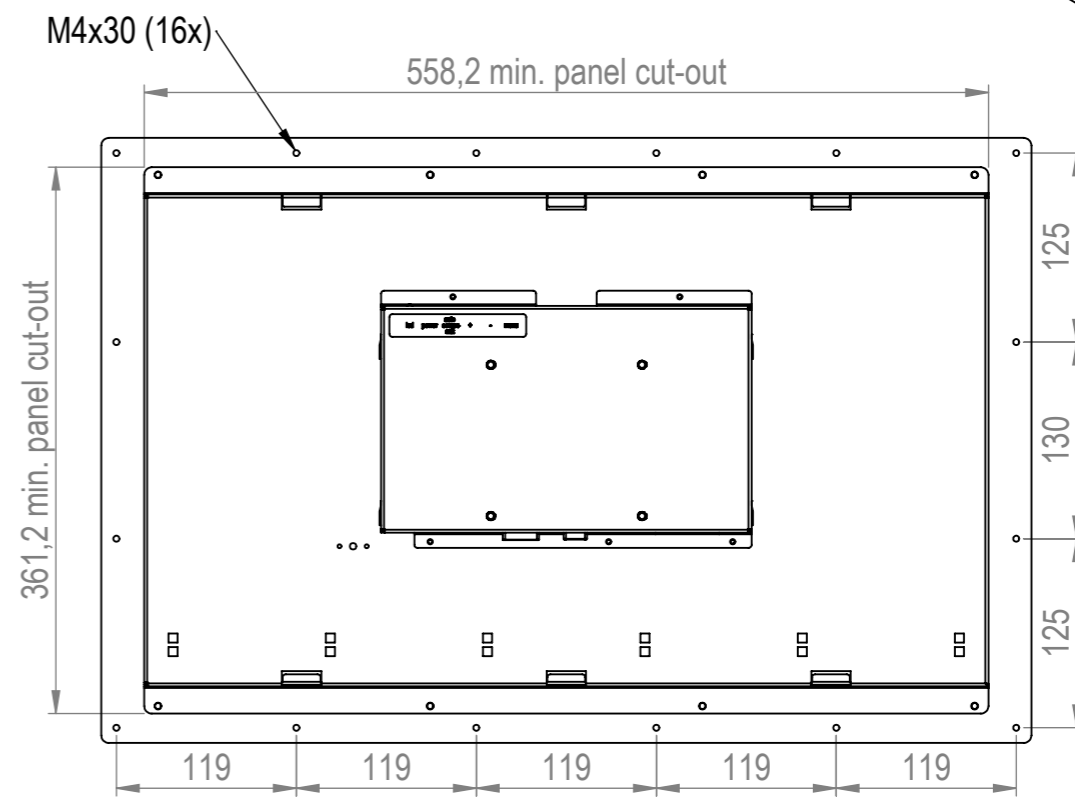
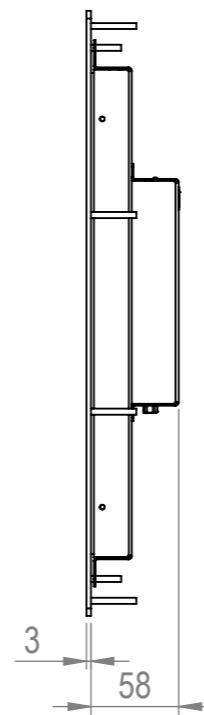
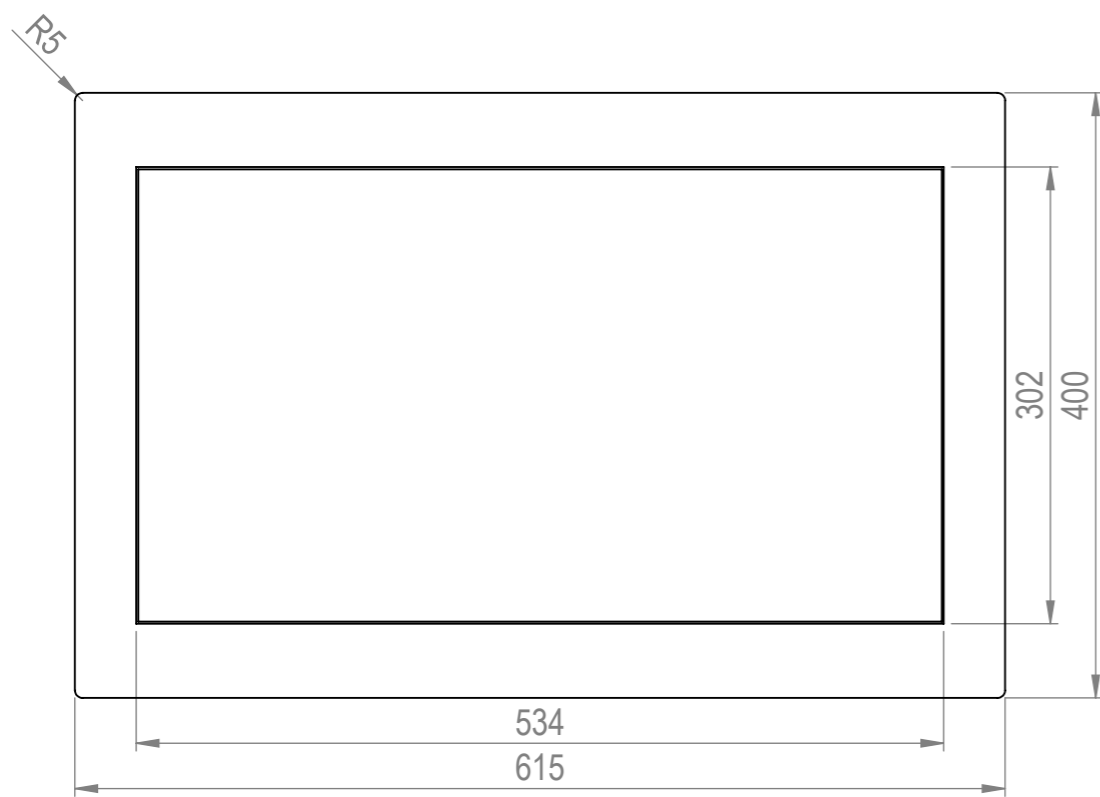
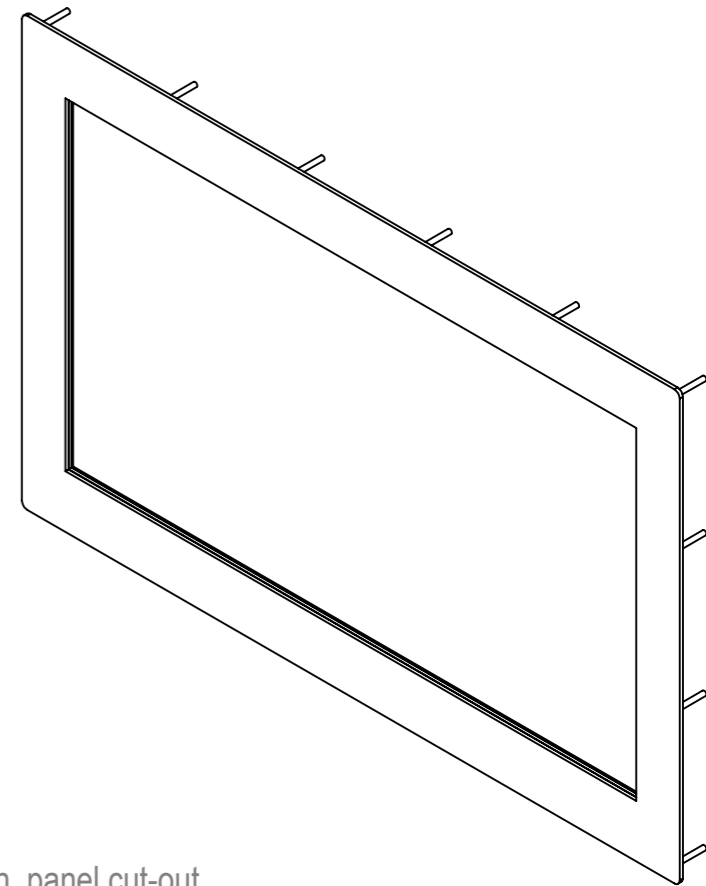
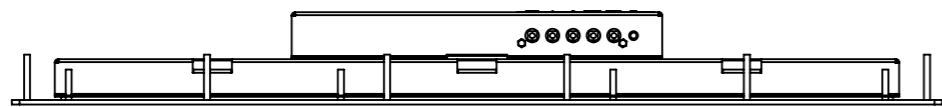
DATE	20-02-2019	DO NOT SCALE DRAWING	REVISION	2
		TFT/Solutions		
MATERIAL:	-	TITLE: Openframe		
FINISH:	-	DWG NO.	TFT-24-OF5-00	A3
		SCALE:1:5	SHEET 1 OF 6	



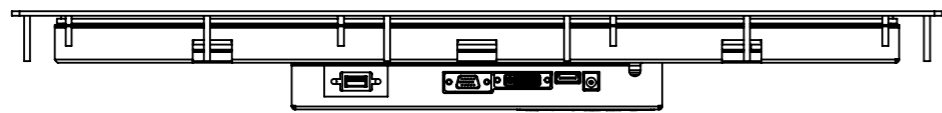
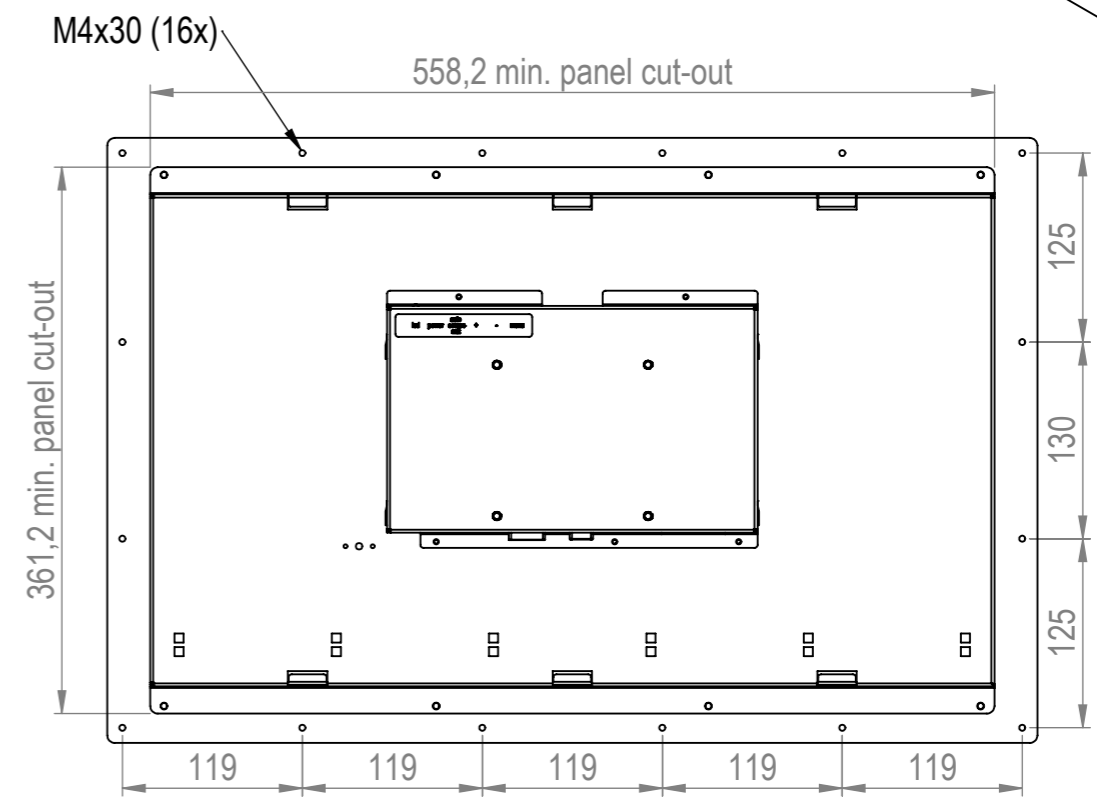
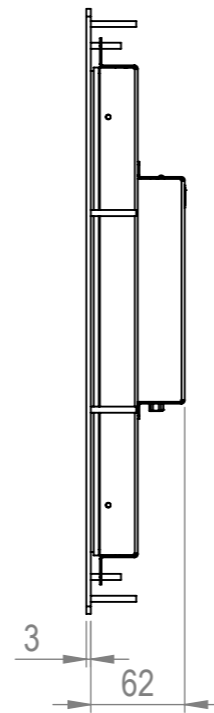
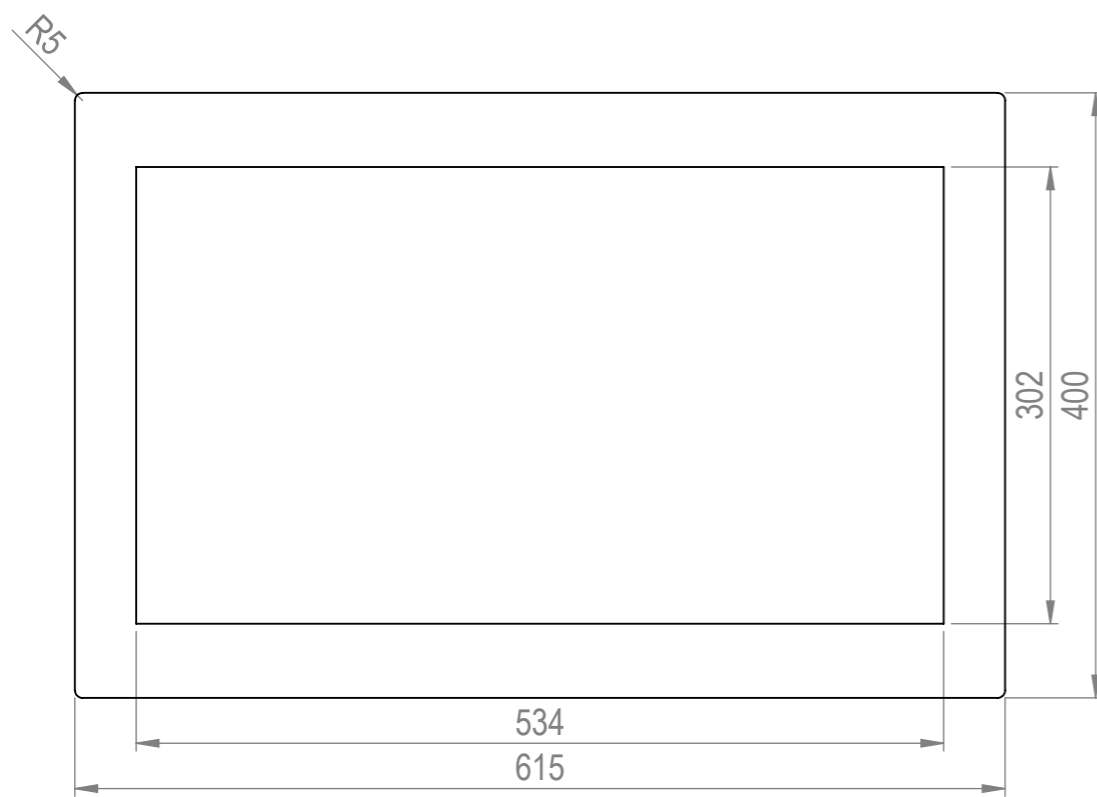
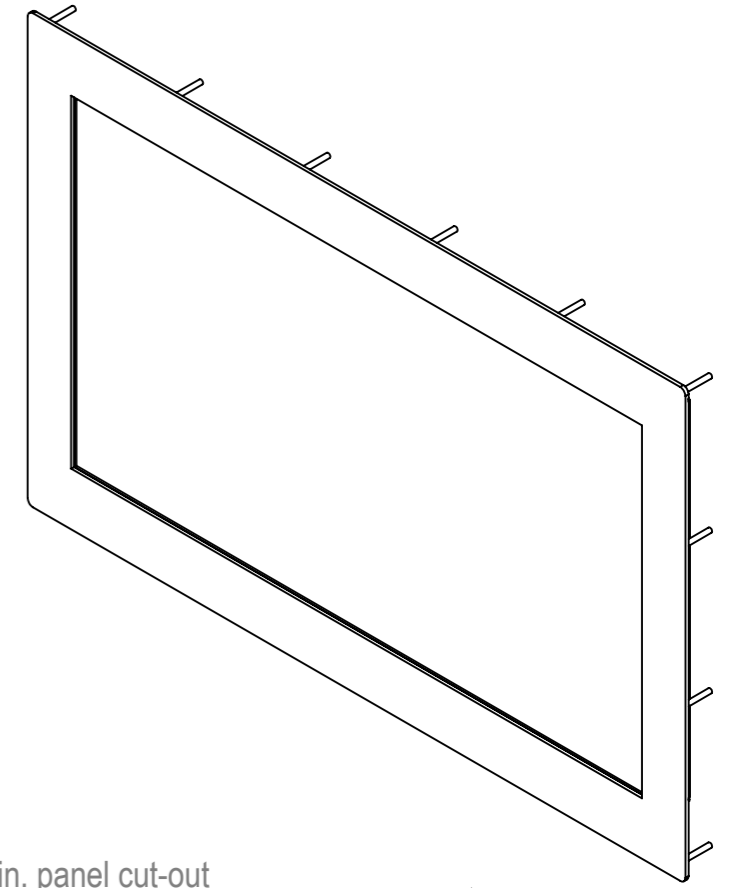
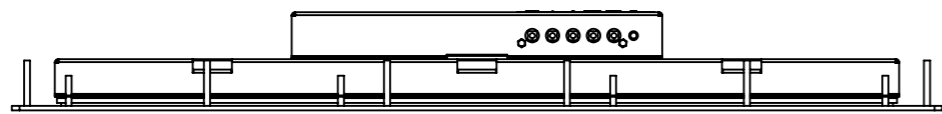
DATE	20-02-2019	DO NOT SCALE DRAWING	REVISION	2
		TFT/Solutions		
MATERIAL:	-	TITLE: Resistive openframe		
FINISH:	-	DWG NO.	TFT-24-OF5-00	A3
		SCALE:1:5	SHEET 2 OF 6	



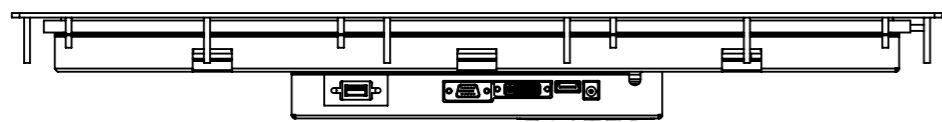
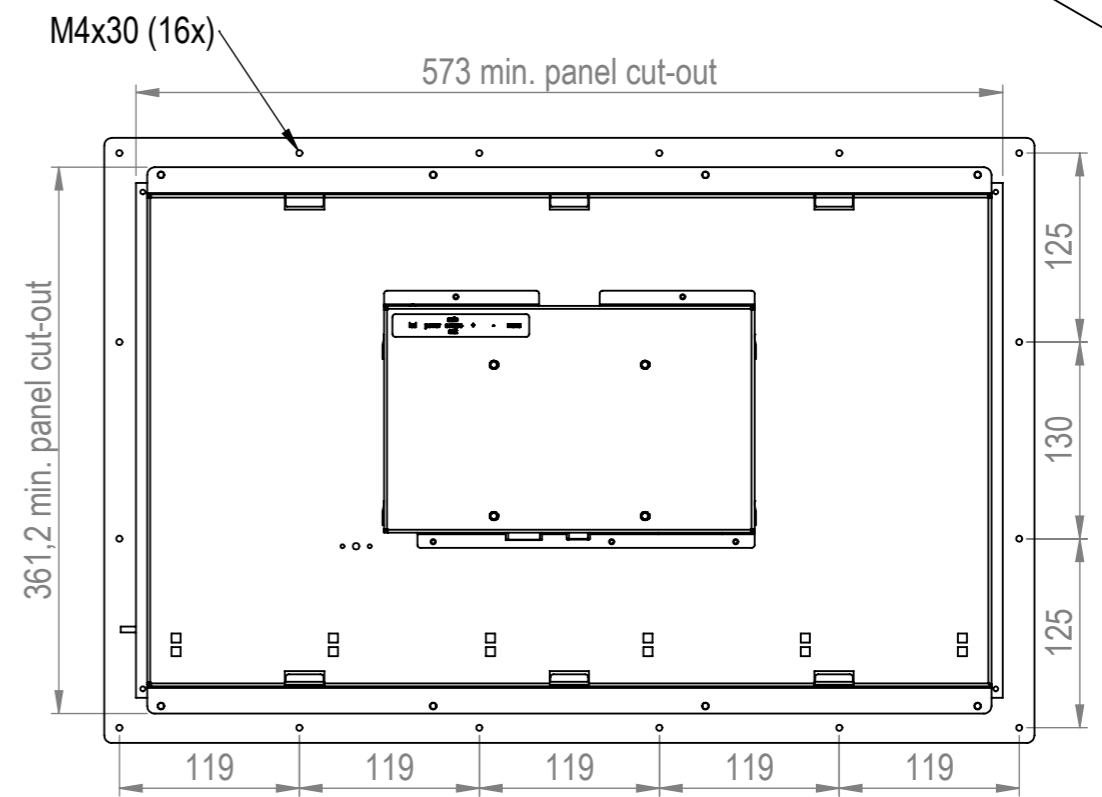
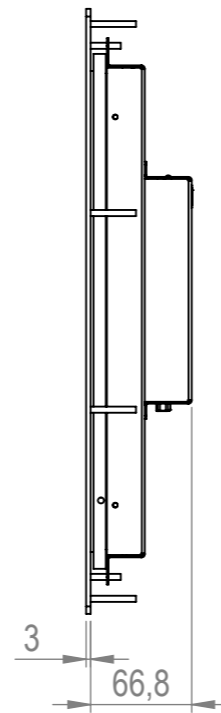
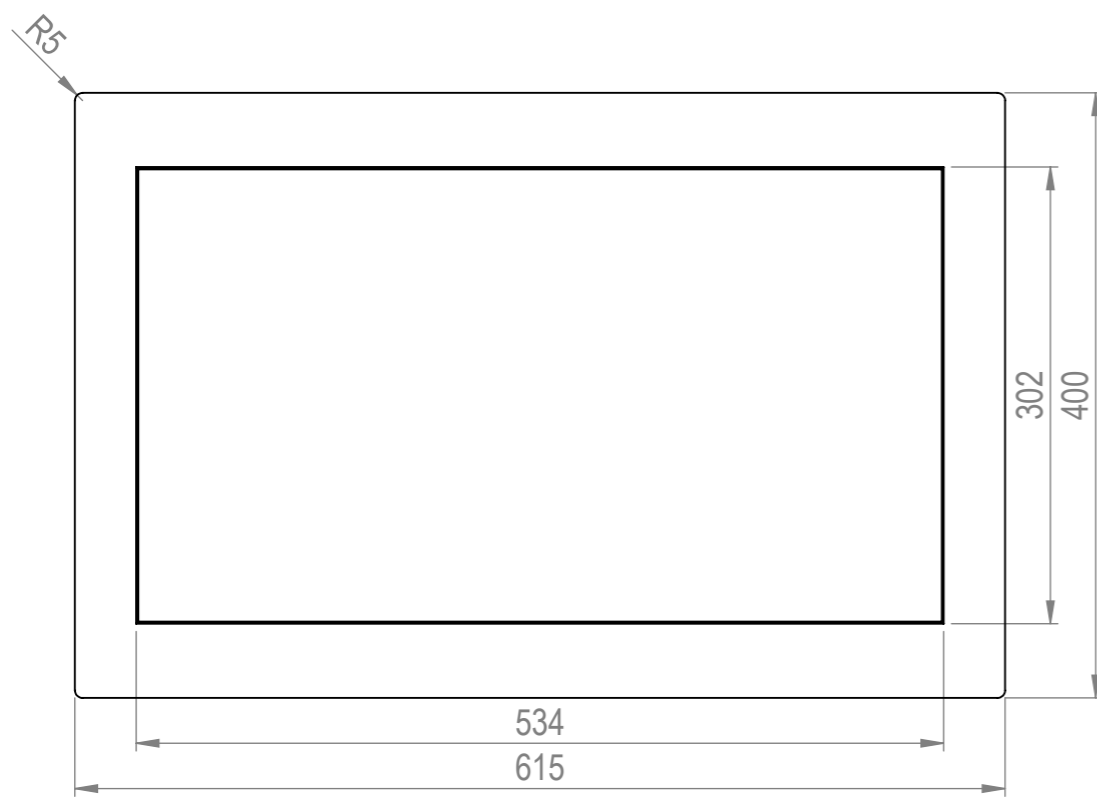
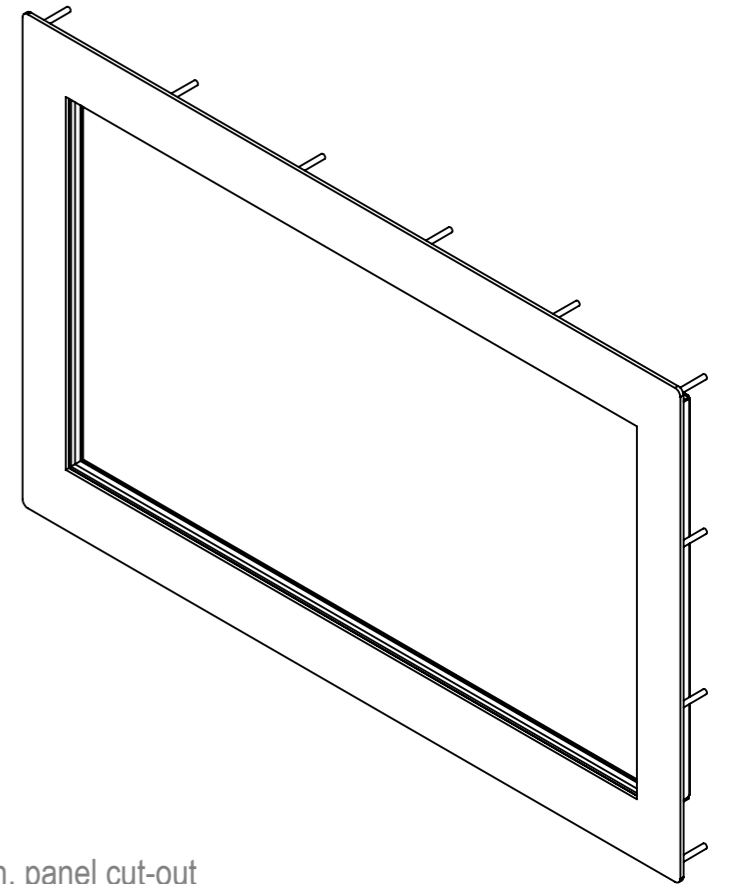
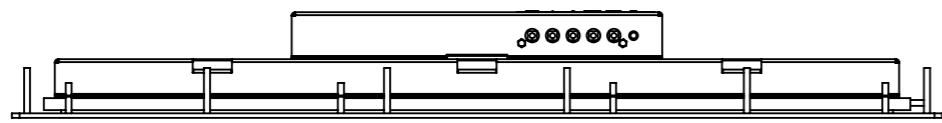
DATE	20-02-2019	DO NOT SCALE DRAWING	REVISION	2
		TFT/Solutions		
MATERIAL:	-	TITLE: IRtouch openframe		
FINISH:	-	DWG NO.	TFT-24-OF5-00	A3
		SCALE:1:5	SHEET 3 OF 6	



DATE 20-02-2019	DO NOT SCALE DRAWING	REVISION 2
MATERIAL: -	TFT/Solutions	
FINISH: -	Panelmount	
	DWG NO. TFT-24-OF5-00	A3
	SCALE:1:5	SHEET 4 OF 6



DATE	20-02-2019	DO NOT SCALE DRAWING	REVISION	2
MATERIAL:	-	TFT/Solutions		
FINISH:	-	Resistive panelmount		
		DWG NO.	TFT-24-OF5-00	A3
		SCALE:1:5	SHEET 5 OF 6	



DATE	20-02-2019	DO NOT SCALE DRAWING	REVISION	2
MATERIAL:	-	TFT/Solutions		
FINISH:	-	IRtouch panelmount		
		DWG NO.	TFT-24-OF5-00	A3
		SCALE:1:5	SHEET 6 OF 6	