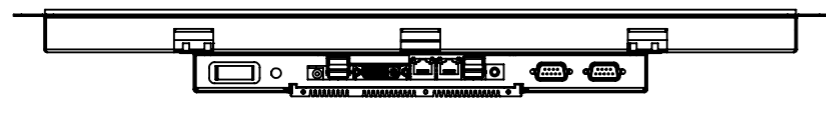
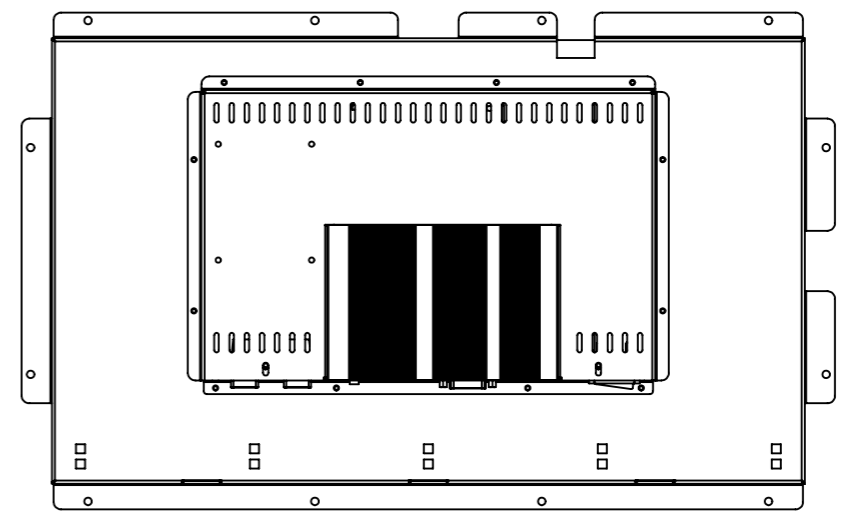
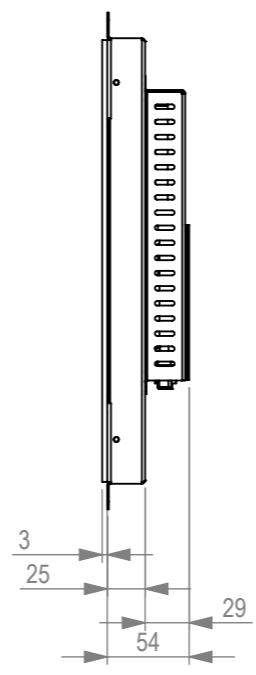
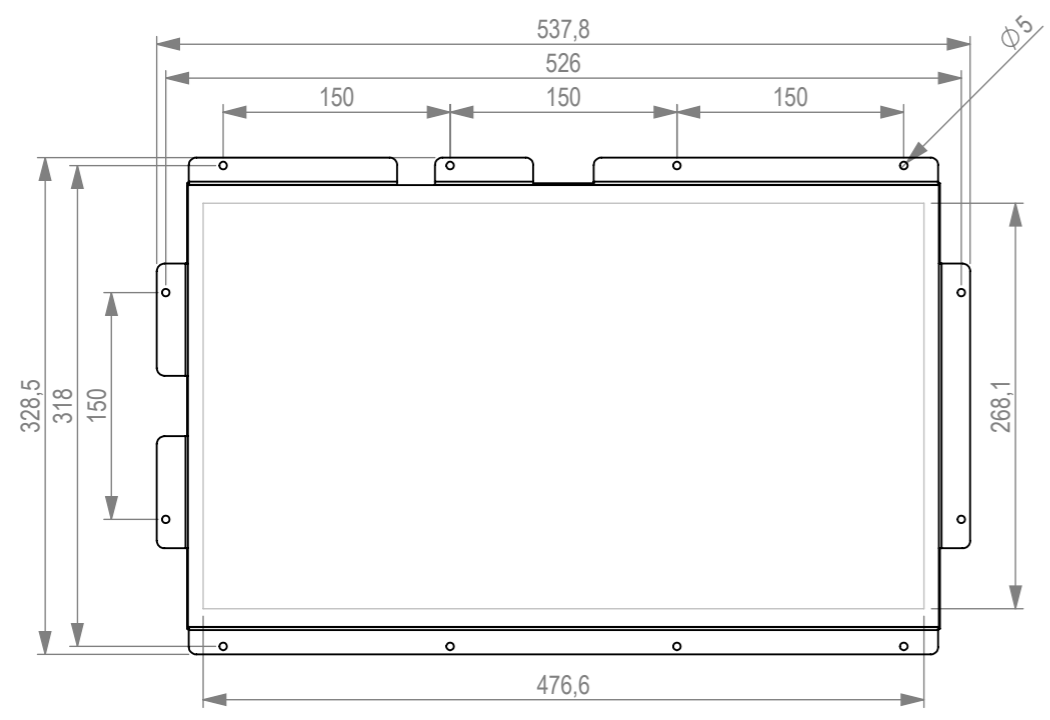
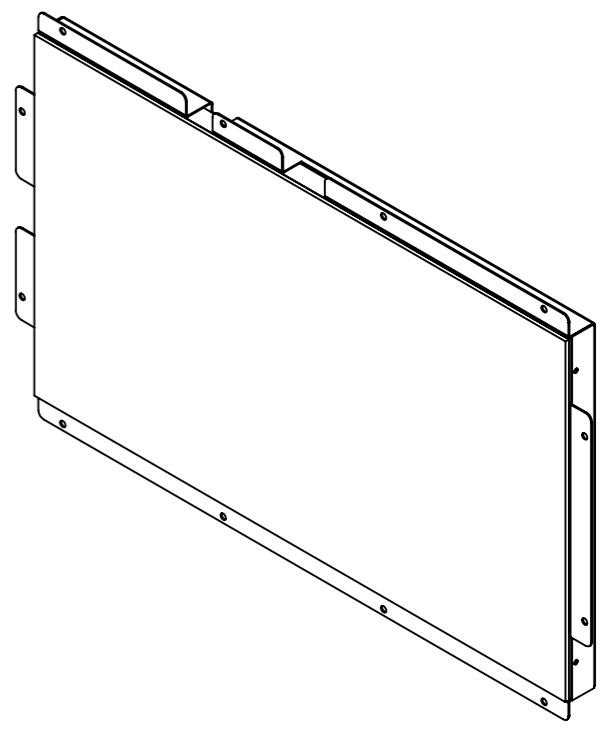
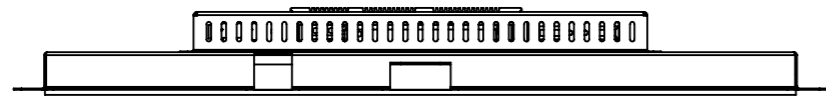
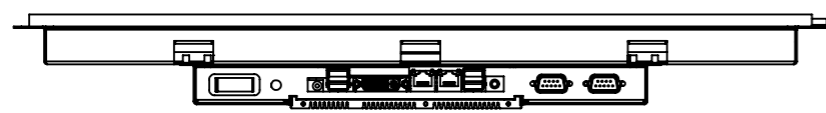
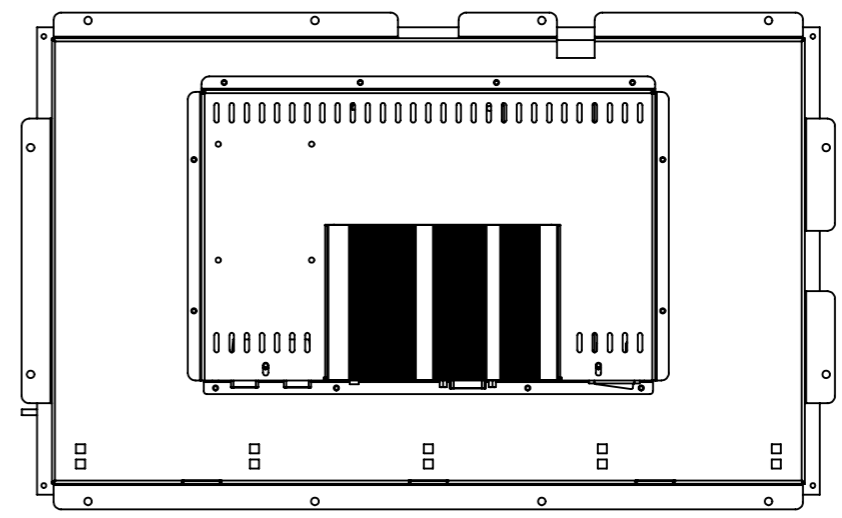
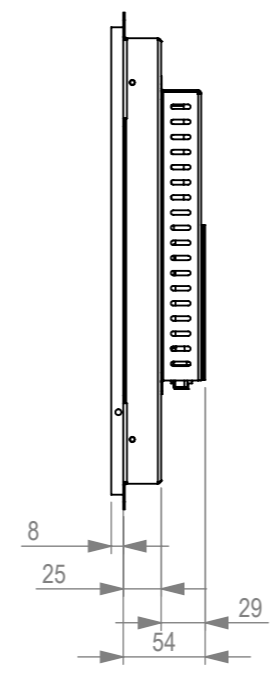
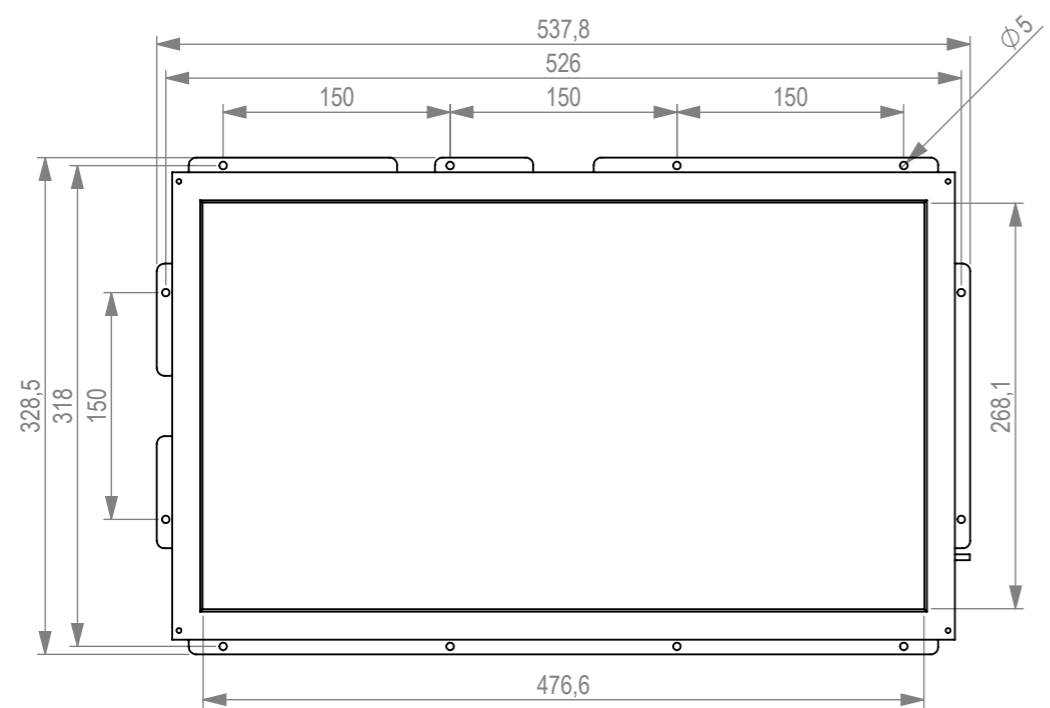
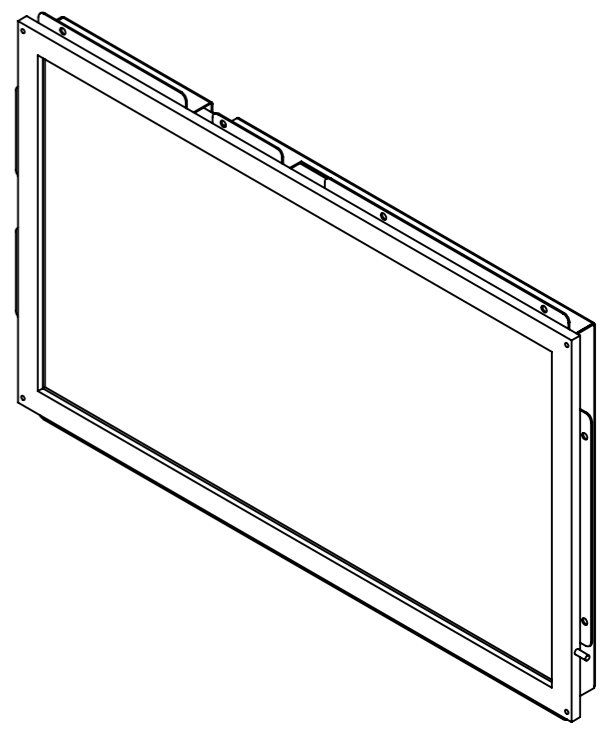
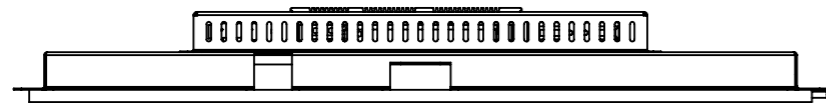


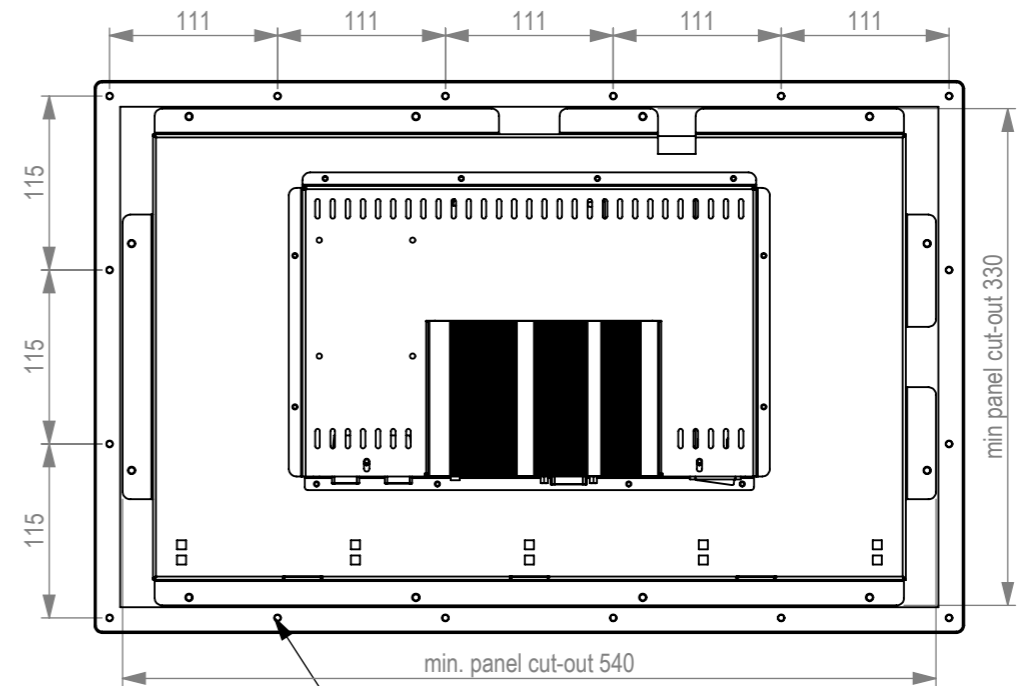
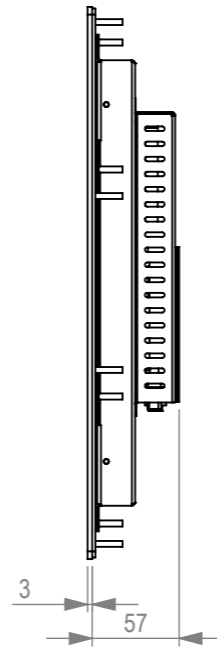
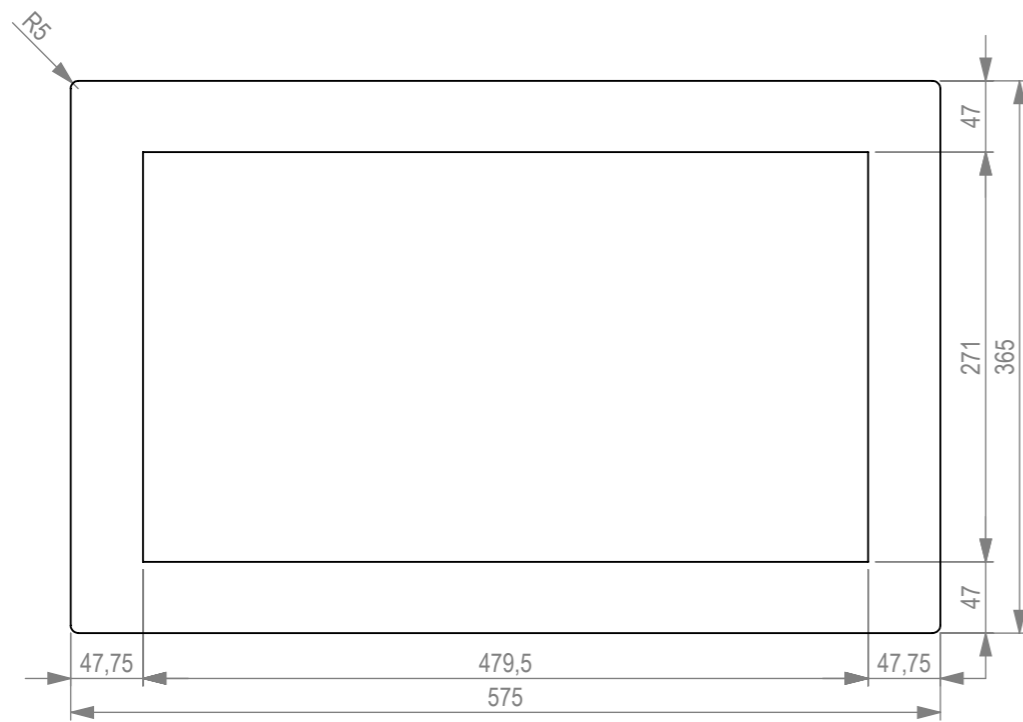
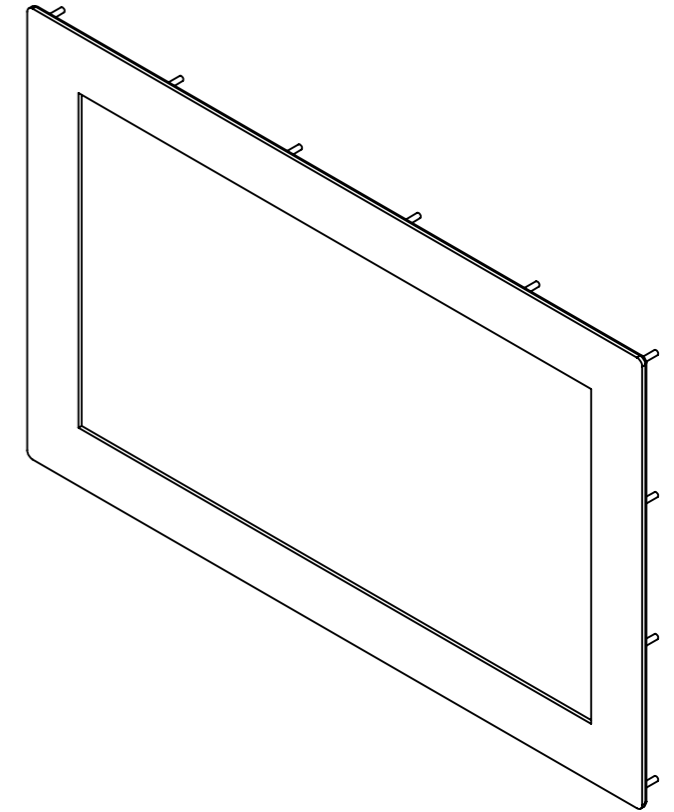
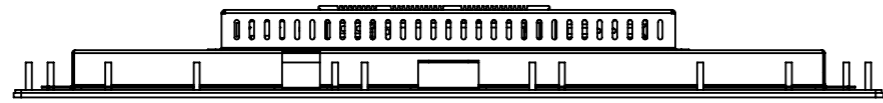
DATE	19-10-2021	DO NOT SCALE DRAWING	REVISION	2
MATERIAL:	-	<b>TFT/Solutions</b>		
FINISH:	-	Openframe		
		DWG NO.	PPC225-00	A3
		SCALE:1:5	SHEET 1 OF 5	



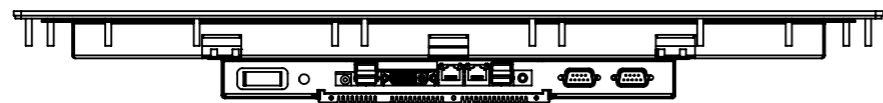
DATE	19-10-2021	DO NOT SCALE DRAWING	REVISION	2
MATERIAL:	-	<b>TFT/Solutions</b>		
FINISH:	-	Resistive openframe		
		DWG NO.	PPC225-00	A3
		SCALE:1:5	SHEET 2 OF 5	



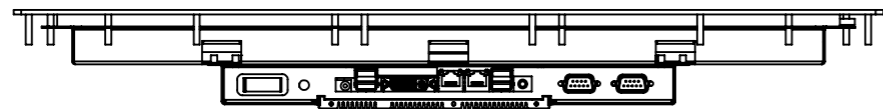
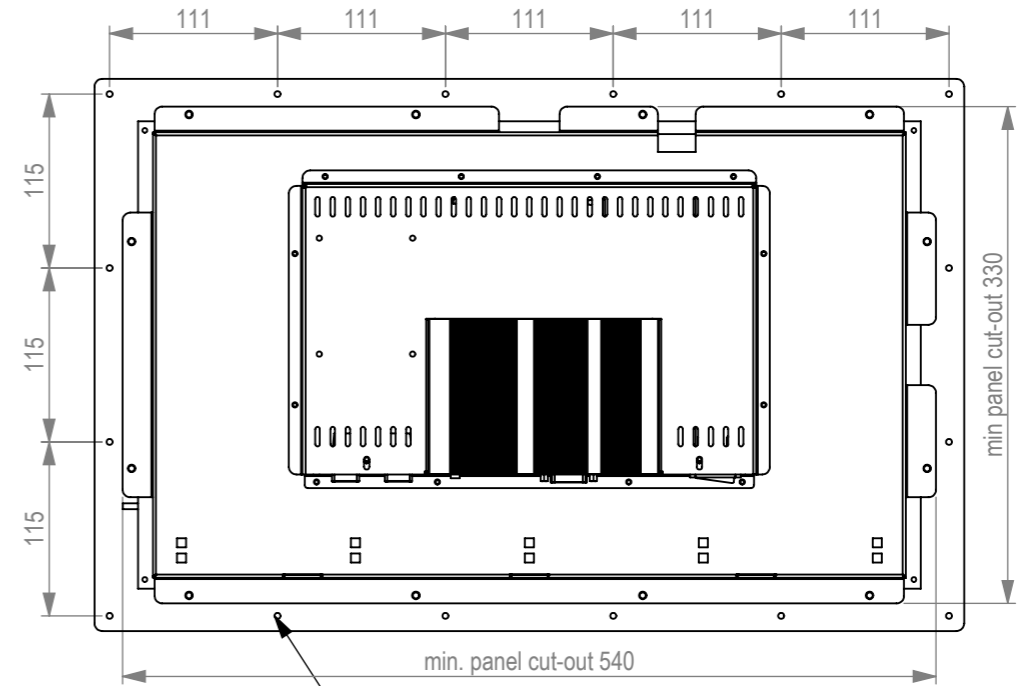
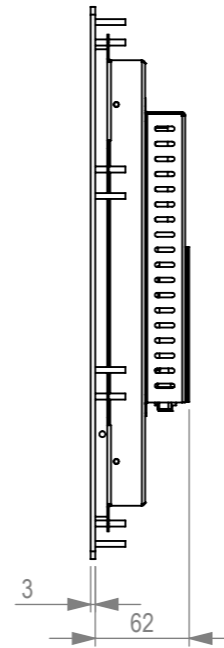
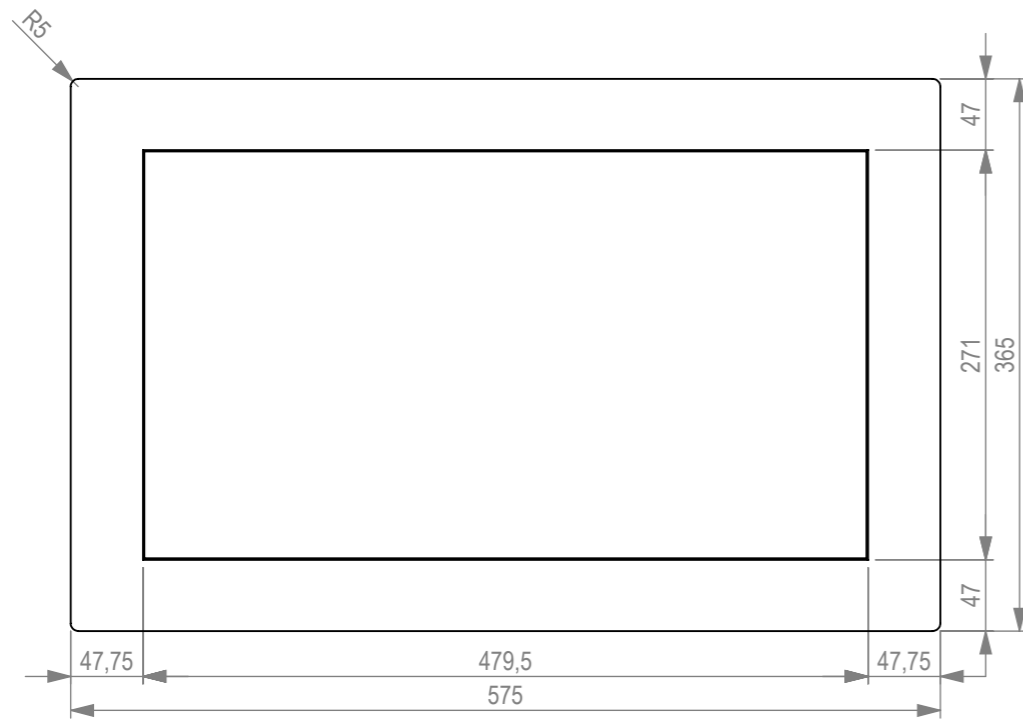
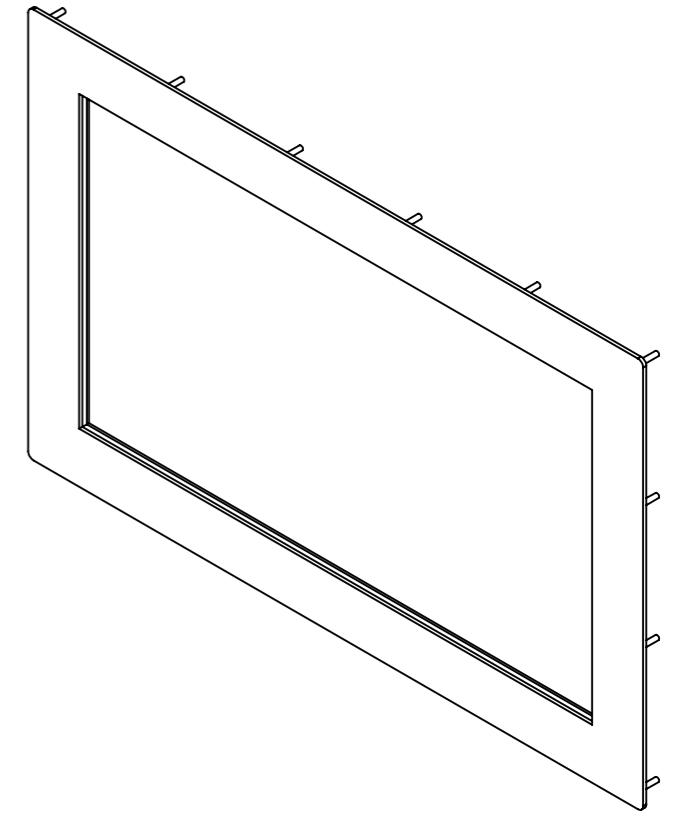
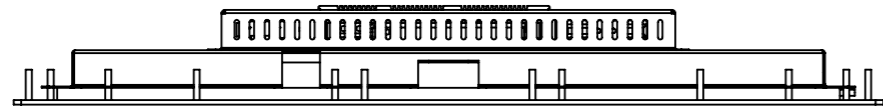
DATE	19-10-2021	DO NOT SCALE DRAWING	REVISION	2
MATERIAL:	-	<b>TFT/Solutions</b>		
FINISH:	-	IRtouch openframe		
		DWG NO.	PPC225-00	A3
		SCALE:1:5	SHEET 3 OF 5	



M4x20 (16x)



DATE	19-10-2021	DO NOT SCALE DRAWING	REVISION	2
MATERIAL:	-	<b>TFT/Solutions</b>		
FINISH:	-	Resistive panelmount		
		DWG NO.	PPC225-00	A3
		SCALE:1:5	SHEET 4 OF 5	



DATE	19-10-2021	DO NOT SCALE DRAWING	REVISION	2
MATERIAL:	-	<b>TFT/Solutions</b>		
FINISH:	-	IRtouch panelmount		
		DWG NO.	PPC225-00	A3
		SCALE:1:5	SHEET 5 OF 5	