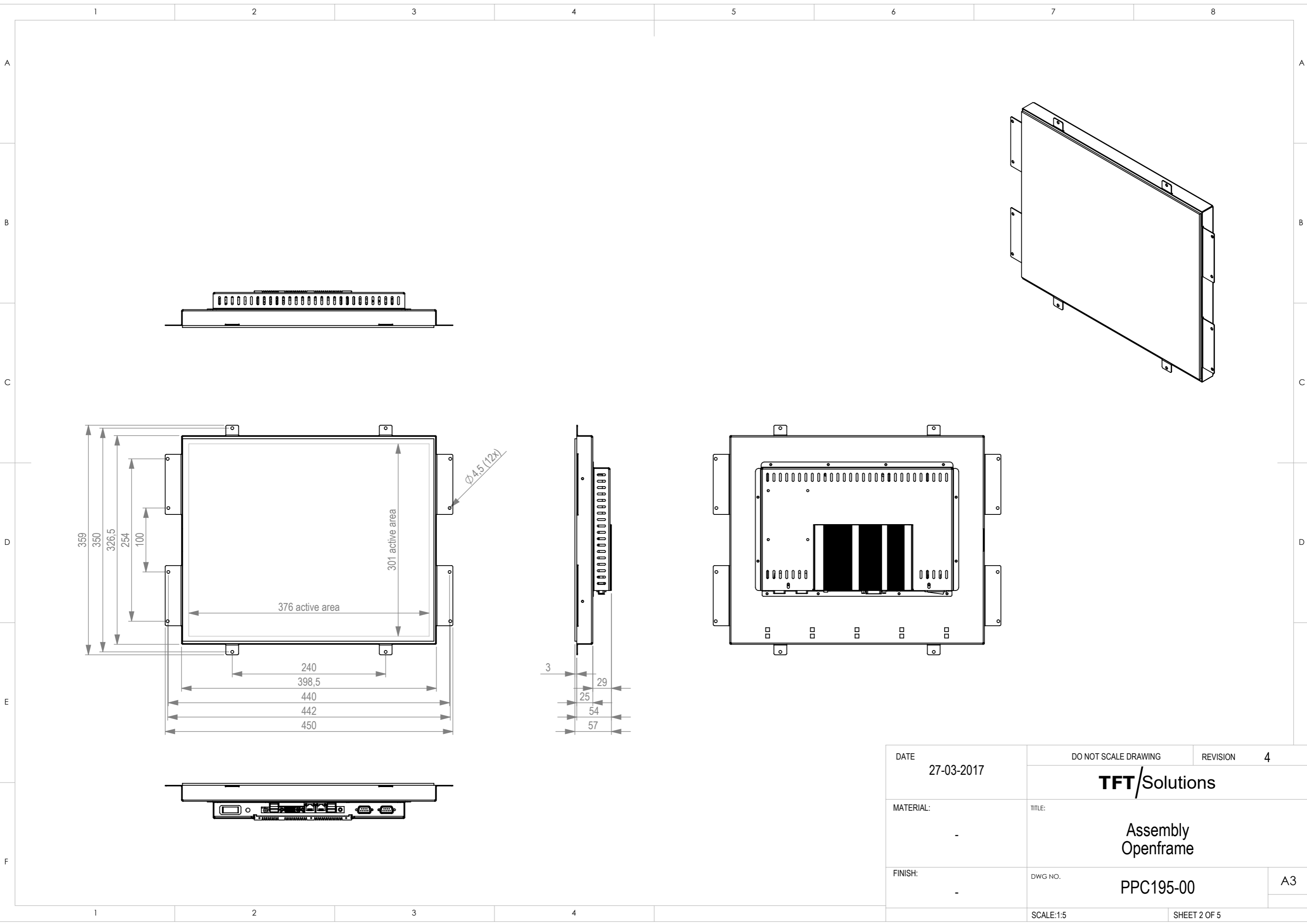
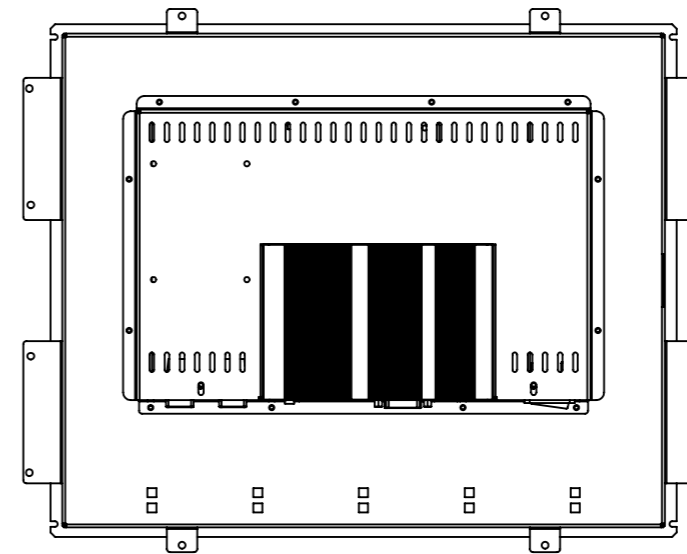
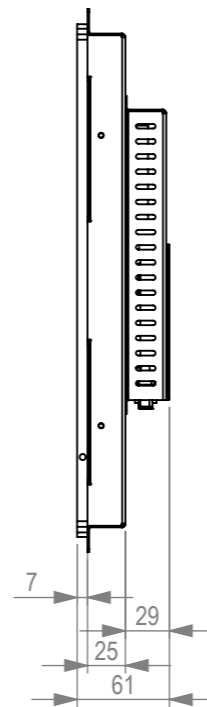
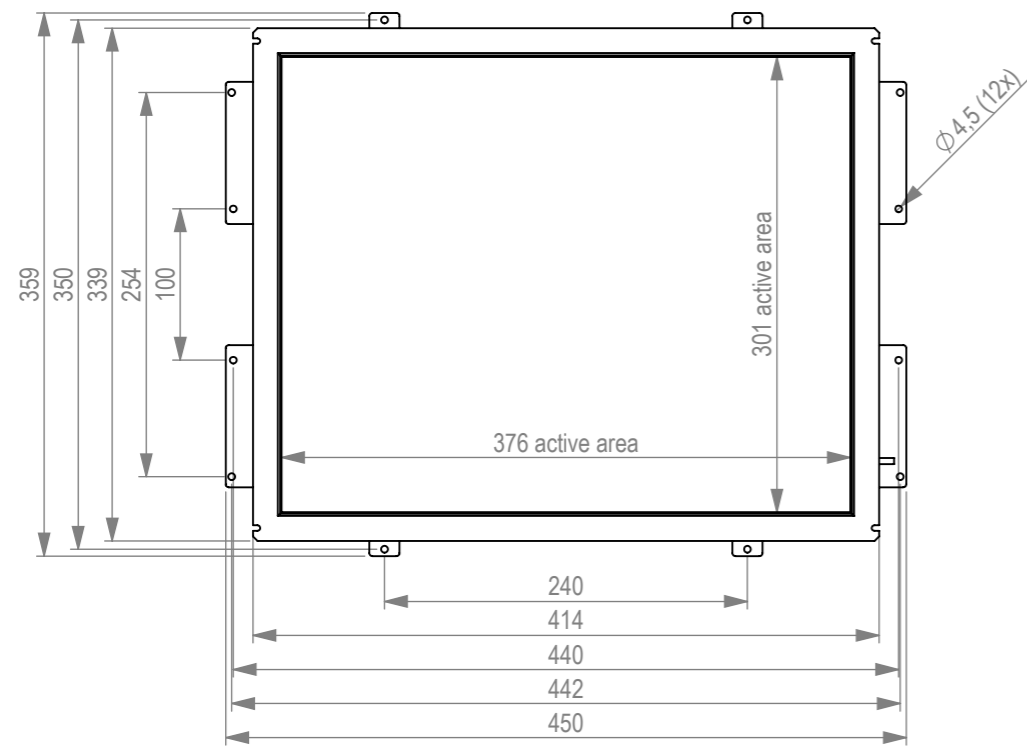
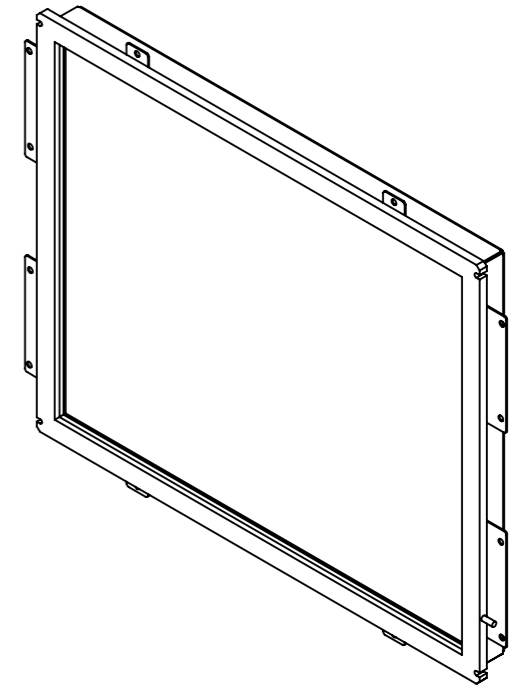
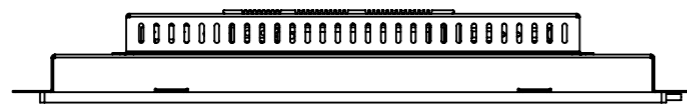


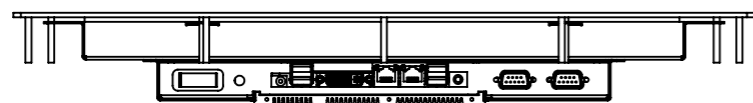
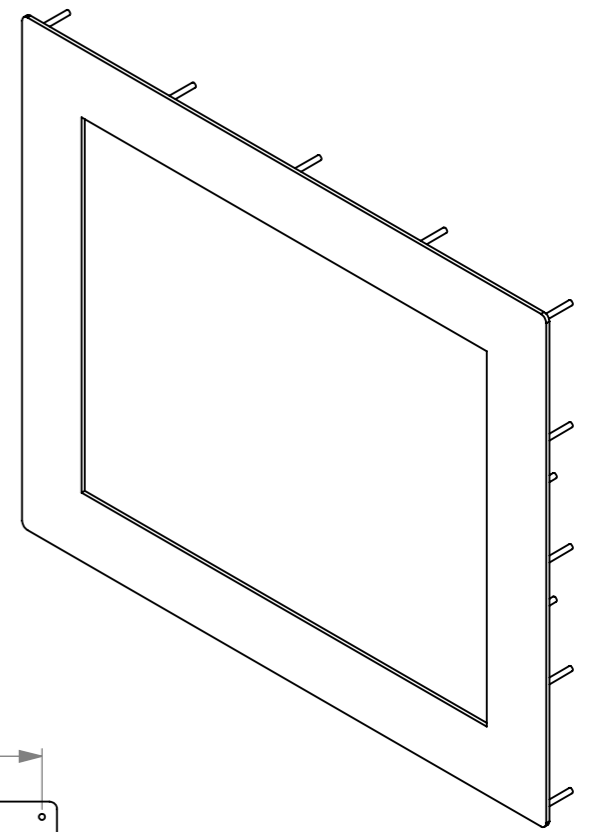
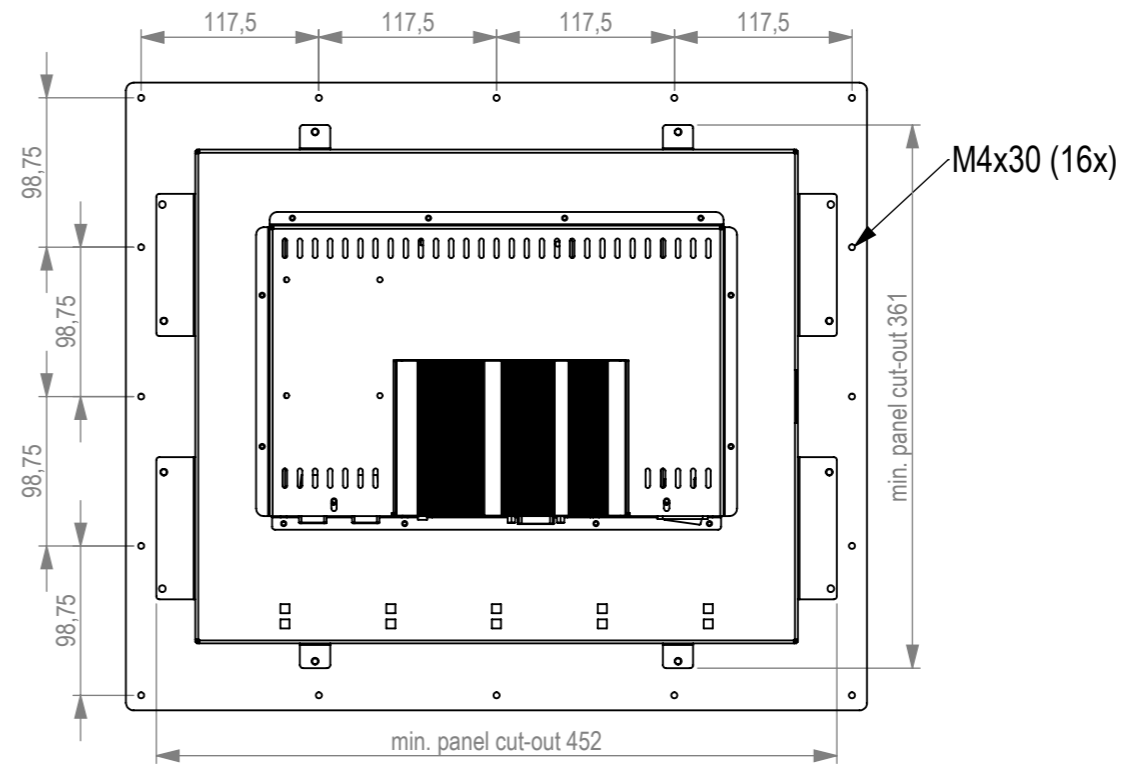
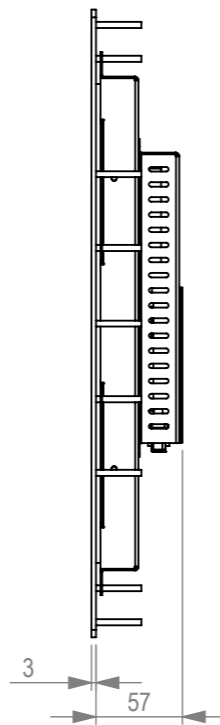
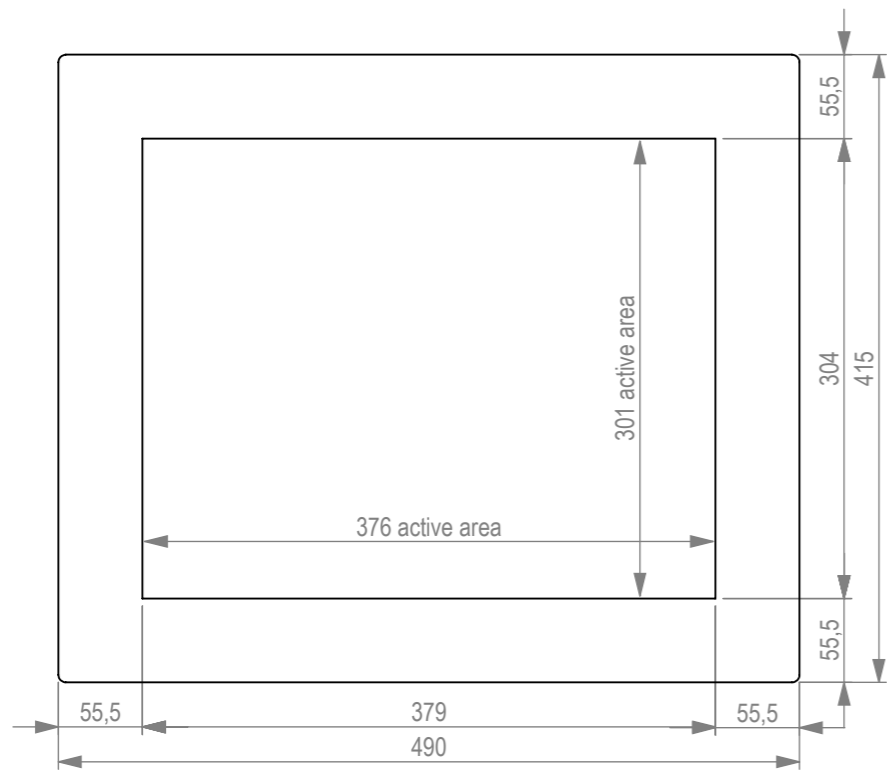
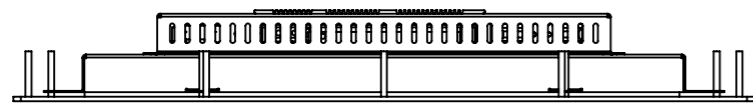
|           |            |                      |                       |    |
|-----------|------------|----------------------|-----------------------|----|
| DATE      | 27-03-2017 | DO NOT SCALE DRAWING | REVISION              | 4  |
|           |            | <b>TFT/Solutions</b> |                       |    |
| MATERIAL: | -          | TITLE:               | Assembly<br>Openframe |    |
| FINISH:   | -          | DWG NO.              | PPC195-00             | A3 |
|           |            | SCALE:1:5            | SHEET 1 OF 5          |    |



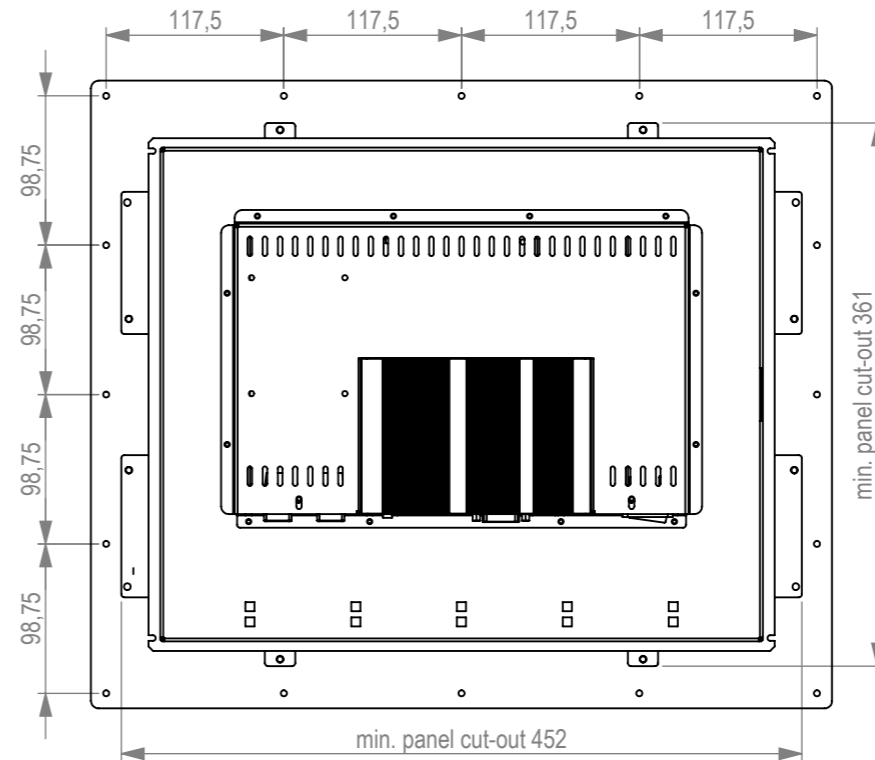
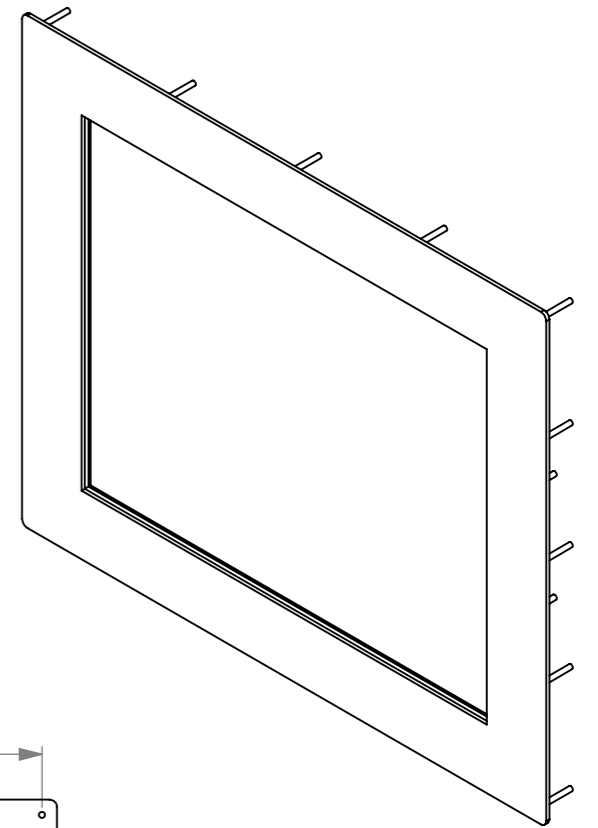
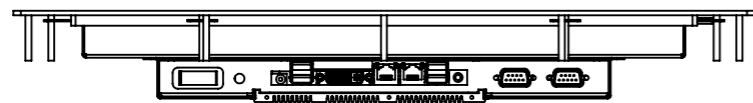
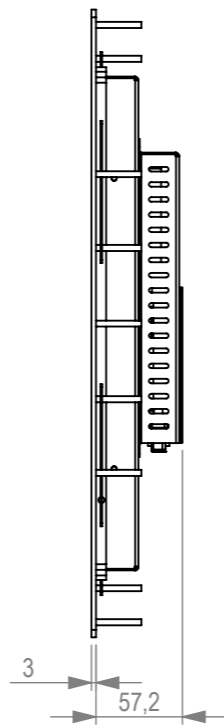
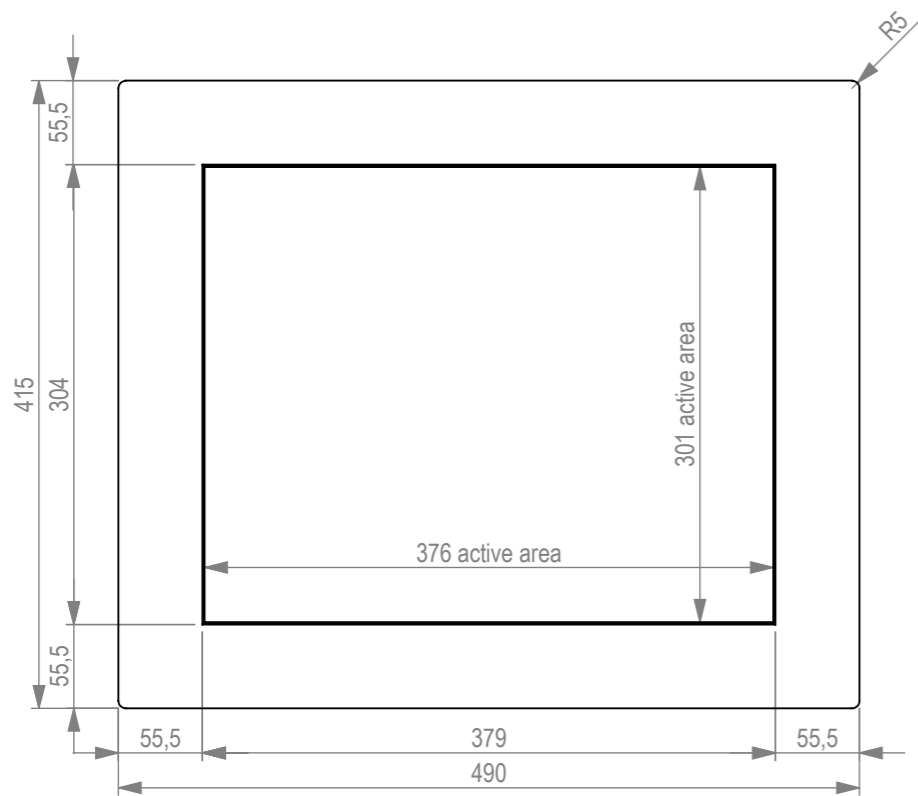
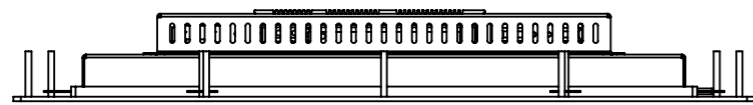
|           |            |                      |                       |    |
|-----------|------------|----------------------|-----------------------|----|
| DATE      | 27-03-2017 | DO NOT SCALE DRAWING | REVISION              | 4  |
|           |            | <b>TFT/Solutions</b> |                       |    |
| MATERIAL: | -          | TITLE:               | Assembly<br>Openframe |    |
| FINISH:   | -          | DWG NO.              | PPC195-00             | A3 |
|           |            | SCALE:1:5            | SHEET 2 OF 5          |    |



|           |            |                      |                      |    |
|-----------|------------|----------------------|----------------------|----|
| DATE      | 27-03-2017 | DO NOT SCALE DRAWING | REVISION             | 4  |
|           |            | <b>TFT/Solutions</b> |                      |    |
| MATERIAL: | -          | TITLE:               | IRtouch<br>openframe |    |
| FINISH:   | -          | DWG NO.              | PPC195-00            | A3 |
|           |            | SCALE:1:5            | SHEET 3 OF 5         |    |



|                    |  |               |
|--------------------|--|---------------|
| DATE<br>27-03-2017 | DO NOT SCALE DRAWING                     | REVISION<br>4 |
| MATERIAL:<br>-     | <b>TFT/Solutions</b>                     |               |
| FINISH:<br>-       | Assembly<br>Resistive touch + panelmount |               |
|                    | DWG NO.<br>PPC195-00                     | A3            |
|                    | SCALE:1:5                                | SHEET 4 OF 5  |



|           |            |                                  |              |    |
|-----------|------------|----------------------------------|--------------|----|
| DATE      | 27-03-2017 | DO NOT SCALE DRAWING             | REVISION     | 4  |
|           |            | <b>TFT/Solutions</b>             |              |    |
| MATERIAL: | -          | Assembly<br>IRtouch + panelmount |              |    |
| FINISH:   | -          | DWG NO.                          | PPC195-00    | A3 |
|           |            | SCALE:1:5                        | SHEET 5 OF 5 |    |