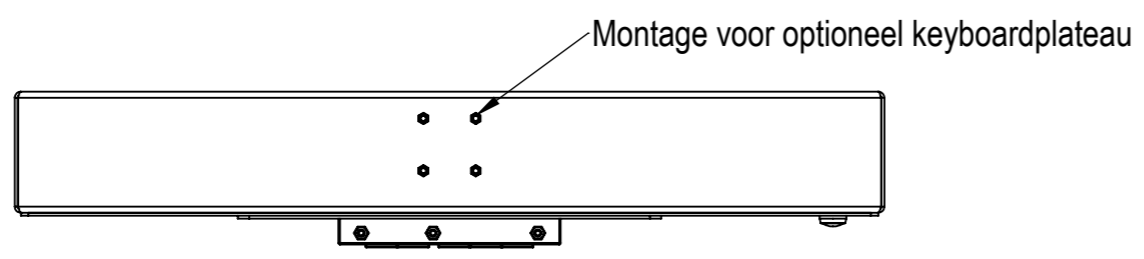
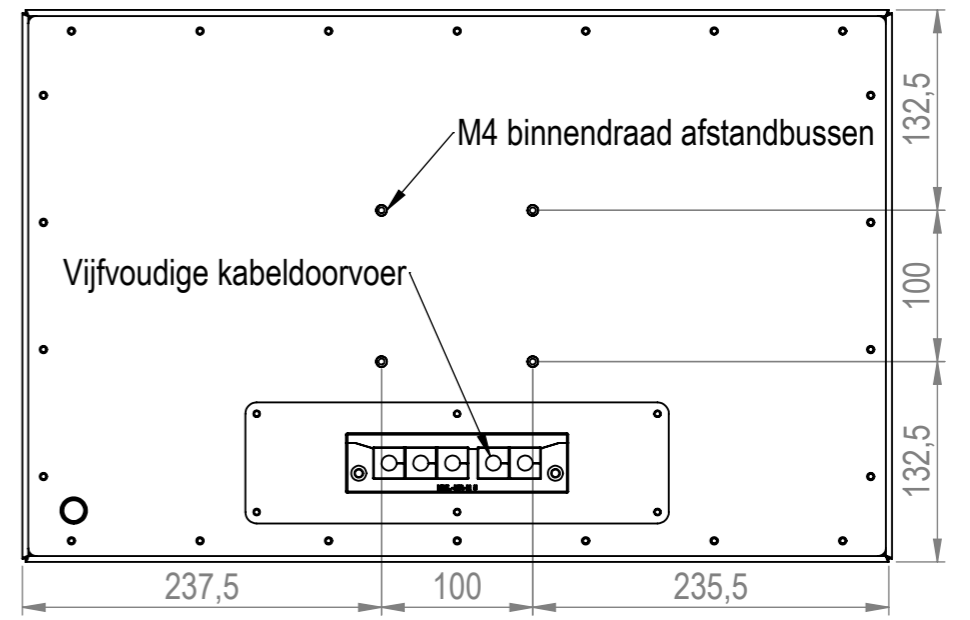
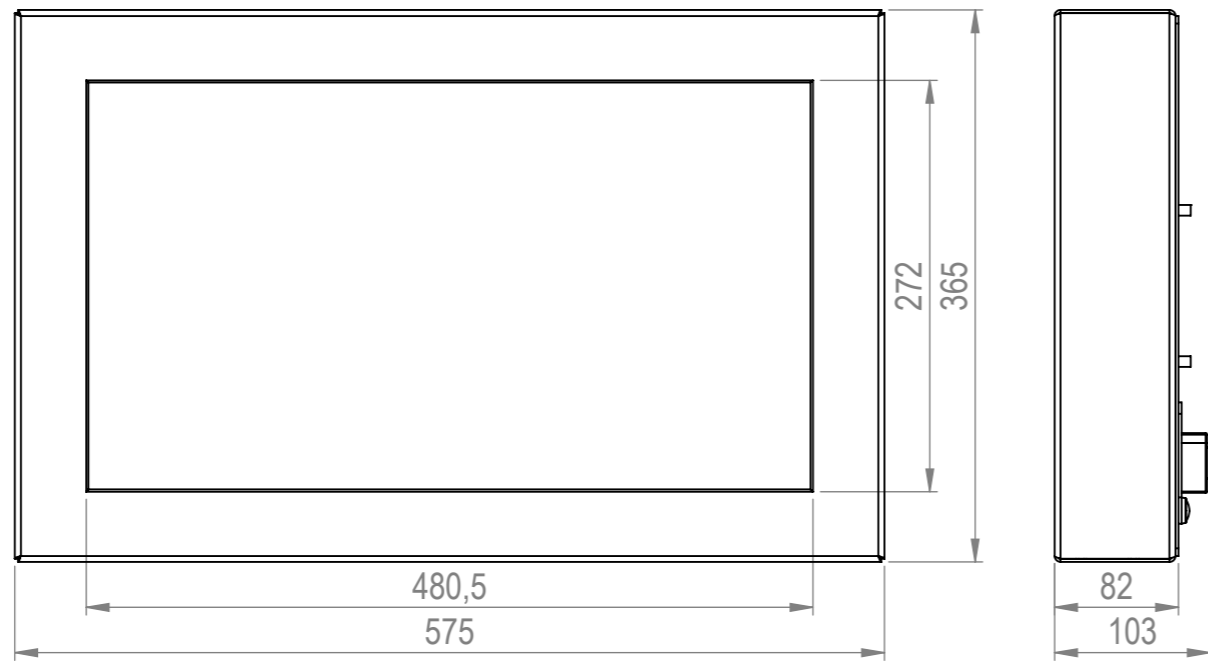
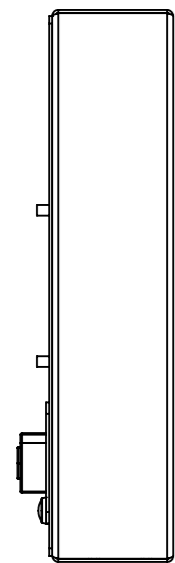
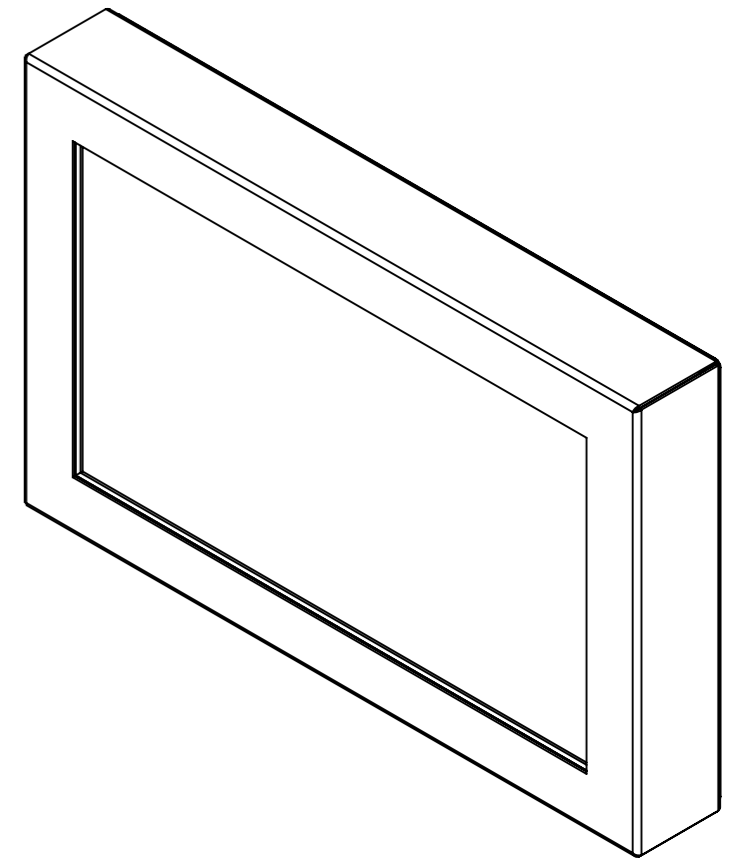
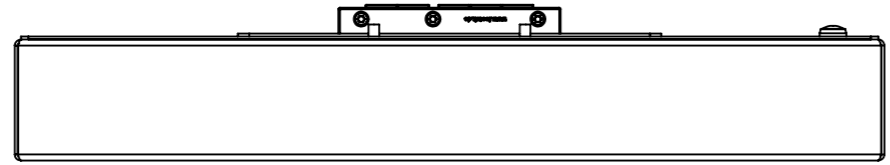


DATE		8-8-2021		DO NOT SCALE DRAWING		DIMENSIONS ARE IN MM	
REV.	DRAWN	FB		TFT/Solutions			
1-01	APPROVED	FB					
MATERIAL				DESCRIPTION			
2mm RVS316				Assembly			
FINISH				PAGE NAME			
Verticaal geslepen				Resistive touch			
				DWG NO.		A3	
				SCALE:1:5		SHEET 1 OF 4	
				IPPC22-00			



DATE		8-8-2021		DO NOT SCALE DRAWING		DIMENSIONS ARE IN MM	
REV.	DRAWN	FB		TFT/Solutions			
1-01	APPROVED	FB					
MATERIAL				DESCRIPTION			
2mm RVS316				Assembly			
FINISH				PAGE NAME			
Verticaal geslepen				IRtouch			
				DWG NO.		A3	
				SCALE:1:5		SHEET 2 OF 4	
				IPPC22-00			

1 2 3 4 5 6 7 8

A

A

B

B

C

C

D

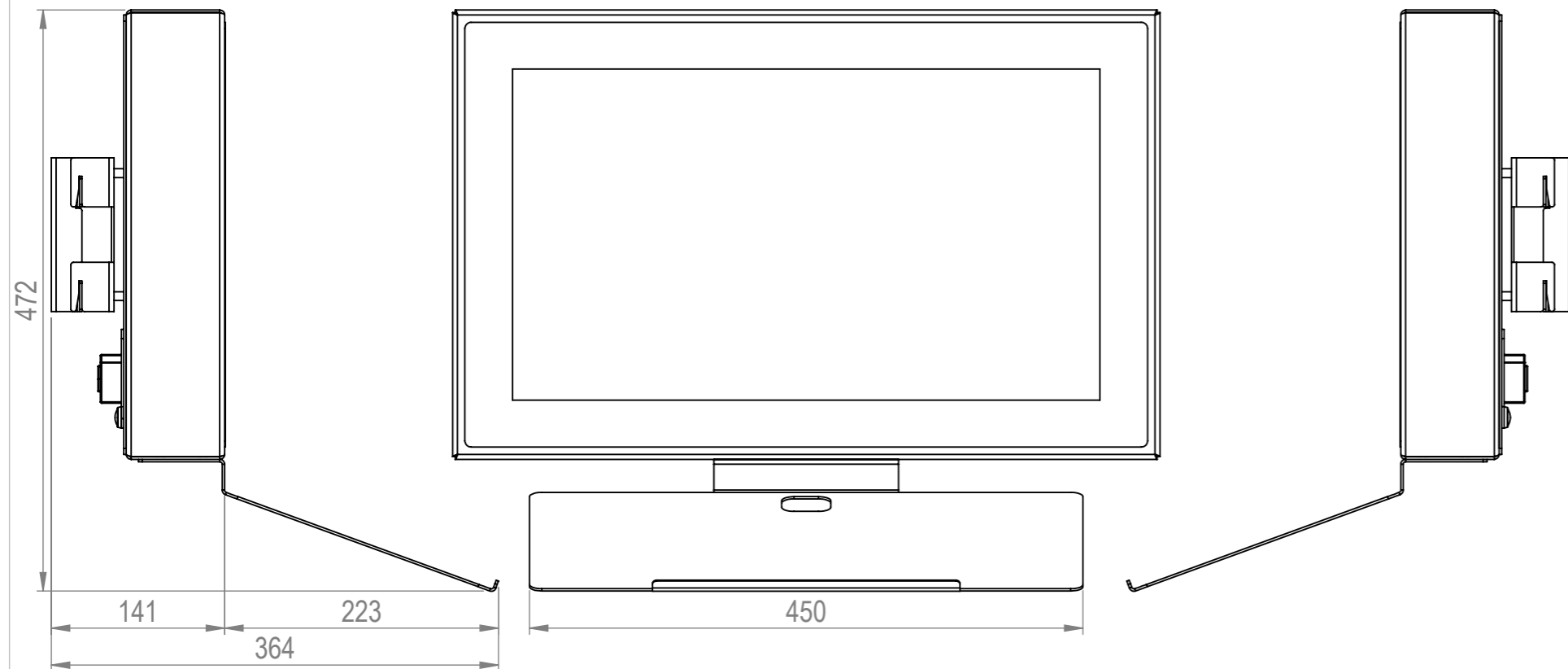
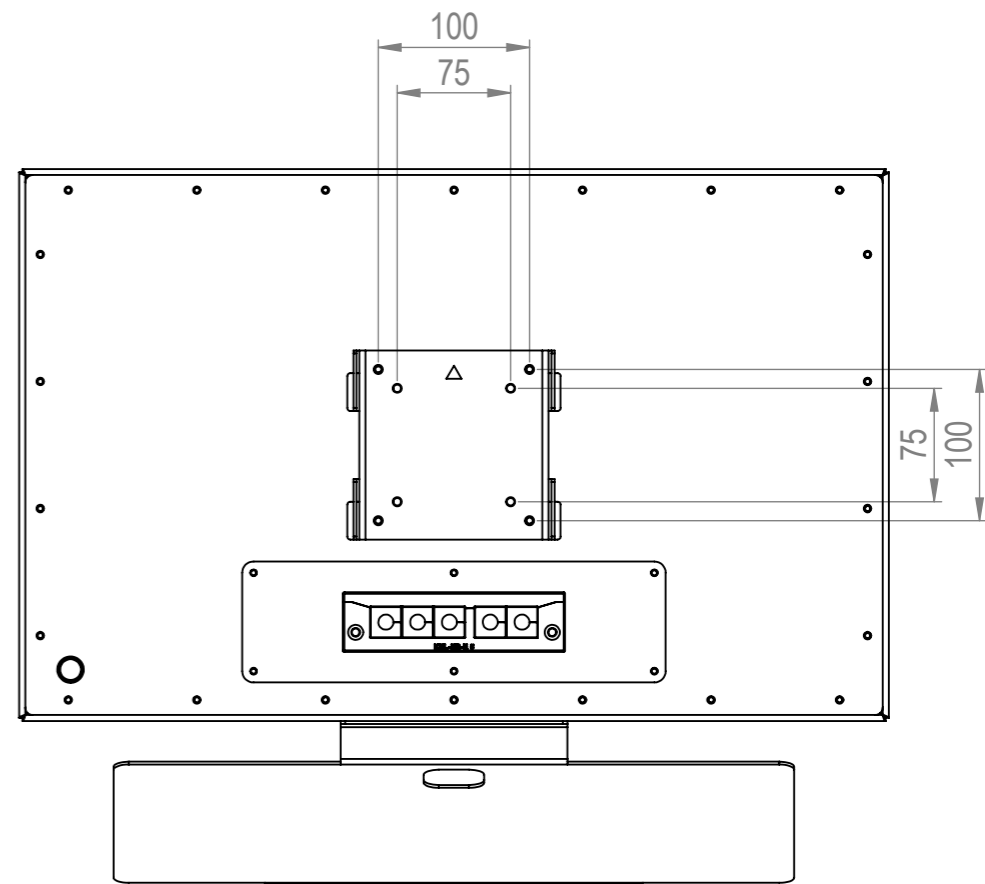
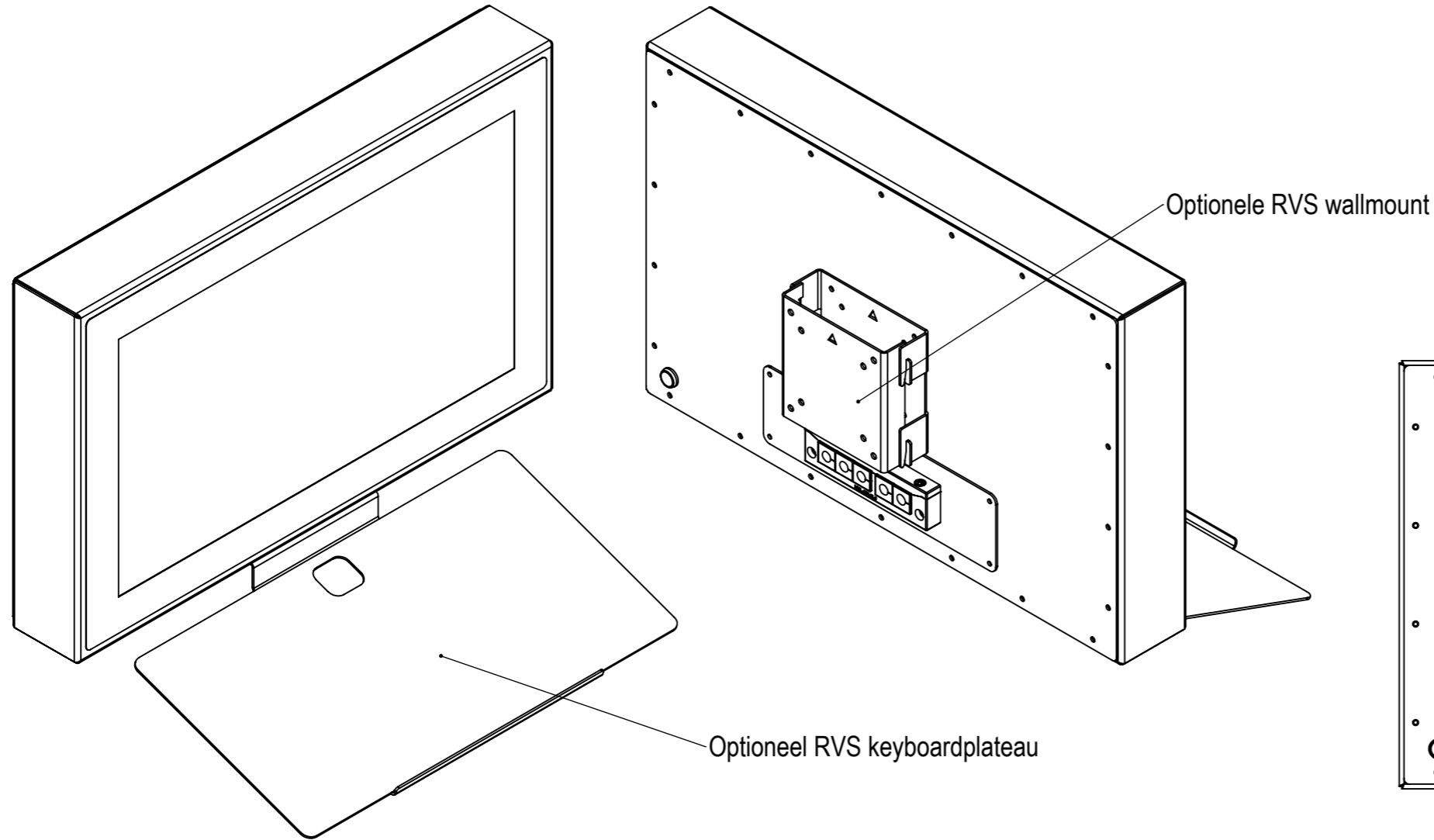
D

E

E

F

F



DATE		8-8-2021		DO NOT SCALE DRAWING		DIMENSIONS ARE IN MM	
REV.	DRAWN	FB		TFT/Solutions			
1-01	APPROVED	FB					
MATERIAL				DESCRIPTION			
2mm RVS316				Assembly			
FINISH				PAGE NAME			
Verticaal geslepen				Resistive met accessoires			
				DWG NO.		A3	
				IPPC22-00			
				SCALE:1:5		SHEET 3 OF 4	

1 2 3 4 5 6 7 8

1 2 3 4 5 6 7 8

A

A

B

B

C

C

D

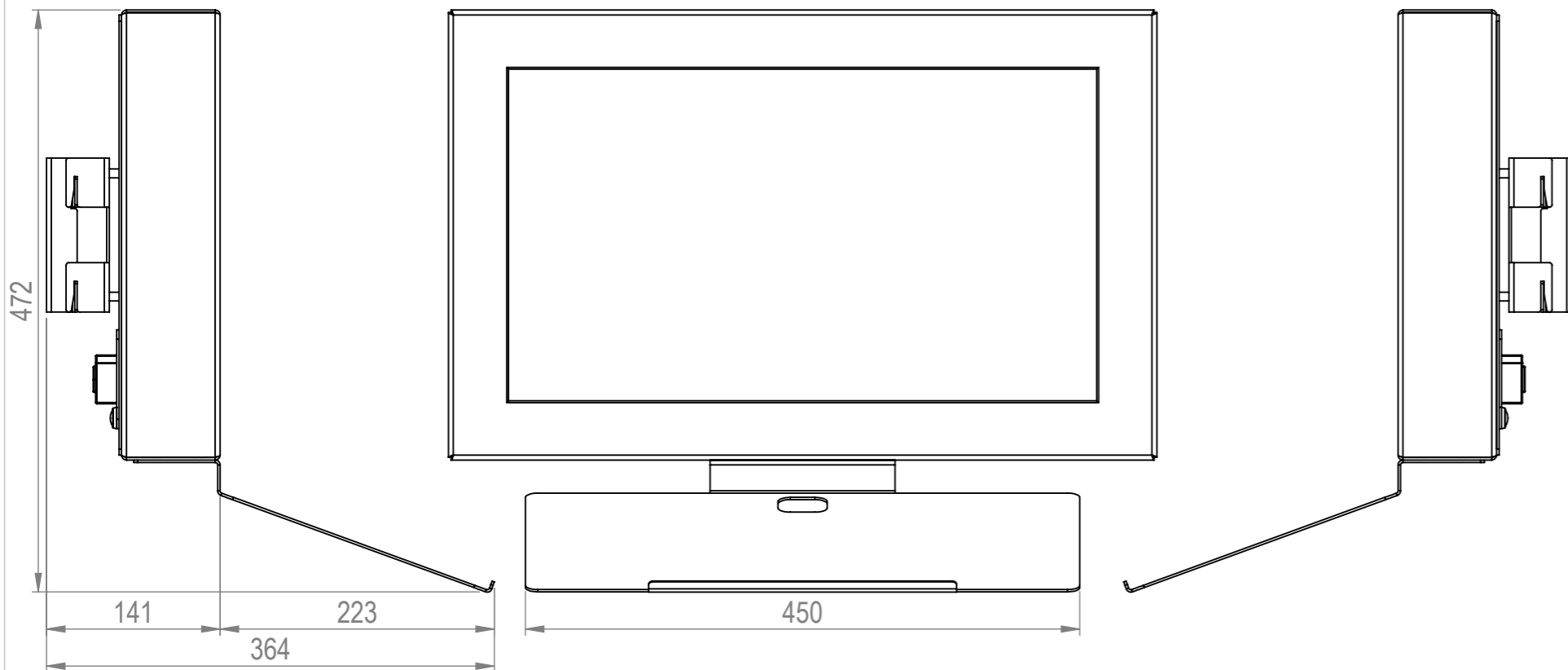
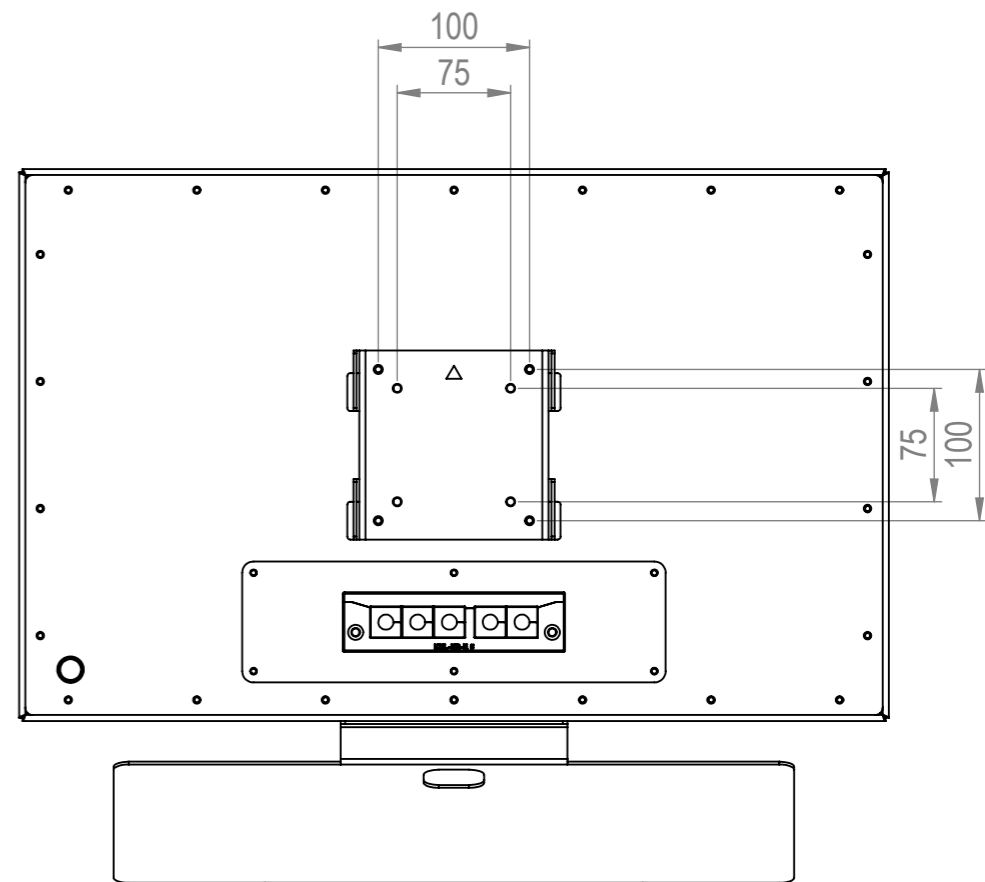
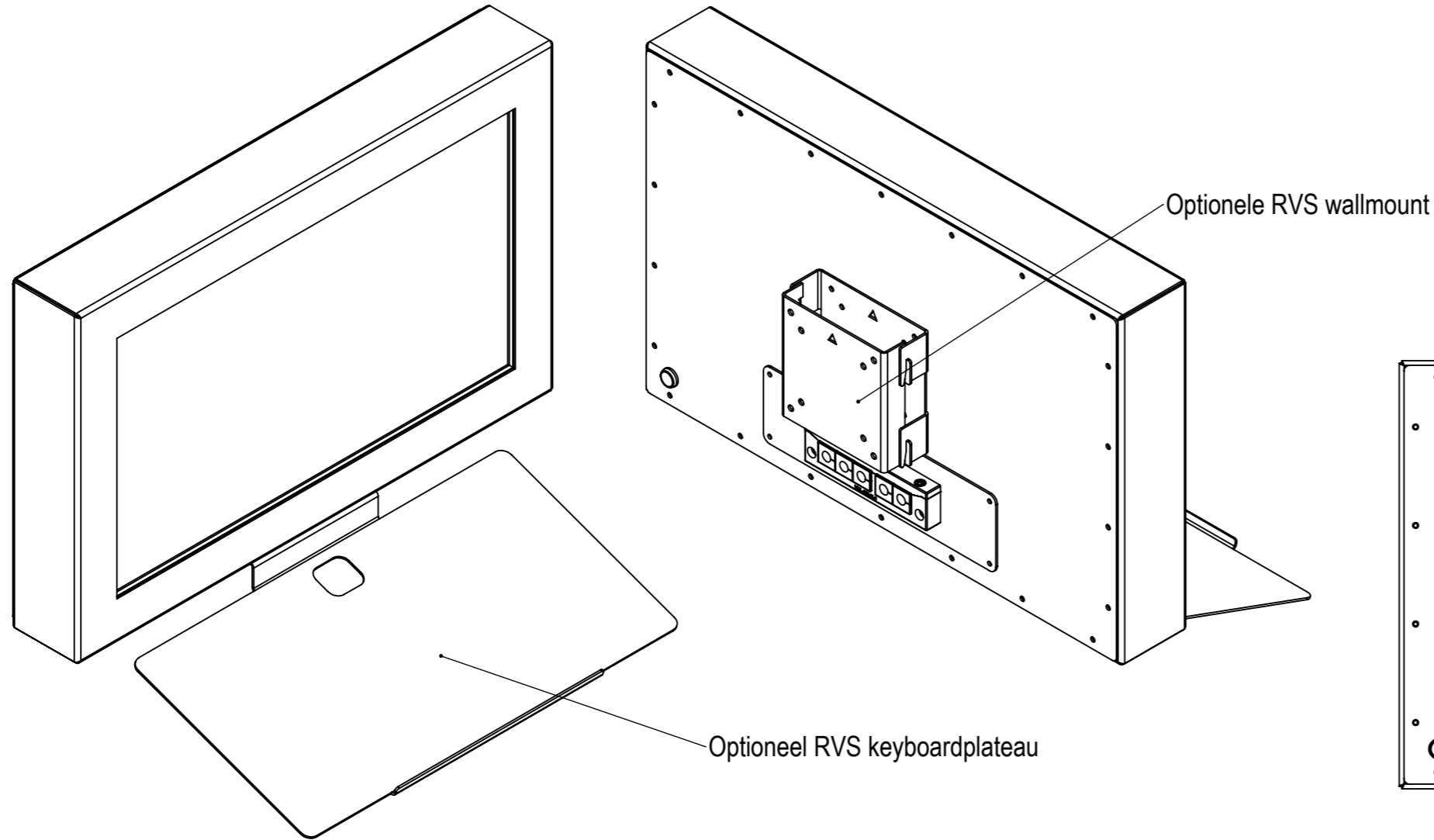
D

E

E

F

F



DATE		8-8-2021		DO NOT SCALE DRAWING		DIMENSIONS ARE IN MM	
REV.	DRAWN	FB		TFT/Solutions			
1-01	APPROVED	FB					
MATERIAL				DESCRIPTION			
2mm RVS316				Assembly			
FINISH				PAGE NAME			
Verticaal geslepen				IRtouch met accessoires			
				DWG NO.		A3	
				IPPC22-00			
				SCALE:1:5		SHEET 4 OF 4	

1 2 3 4 5 6 7 8