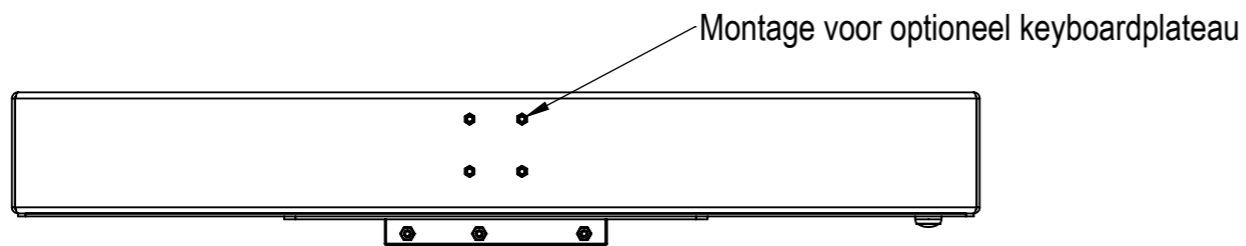
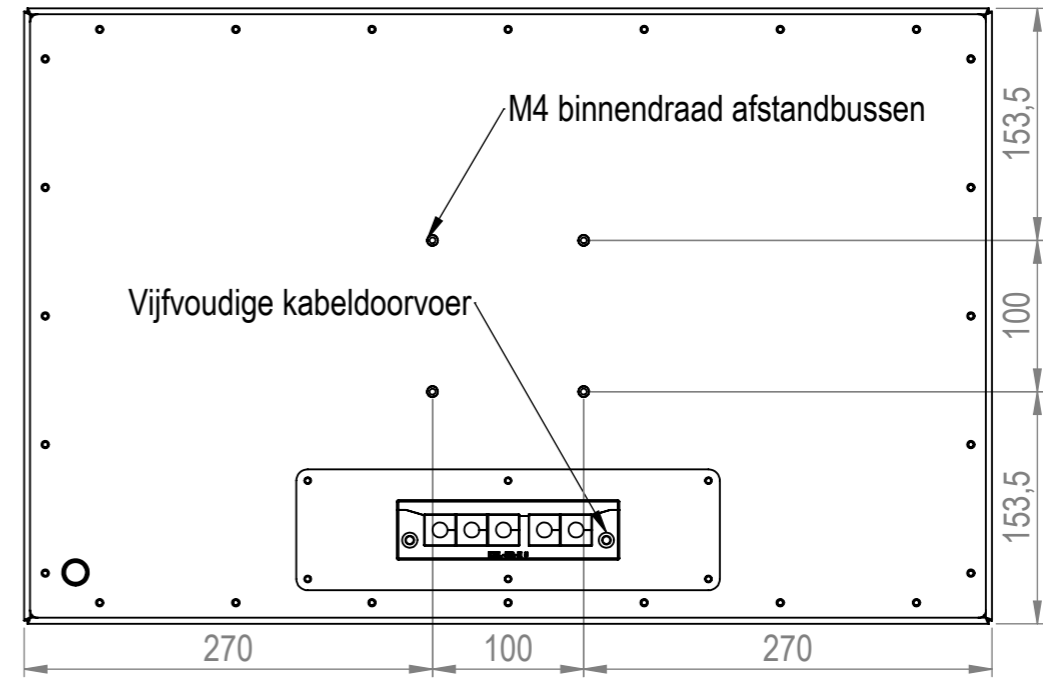
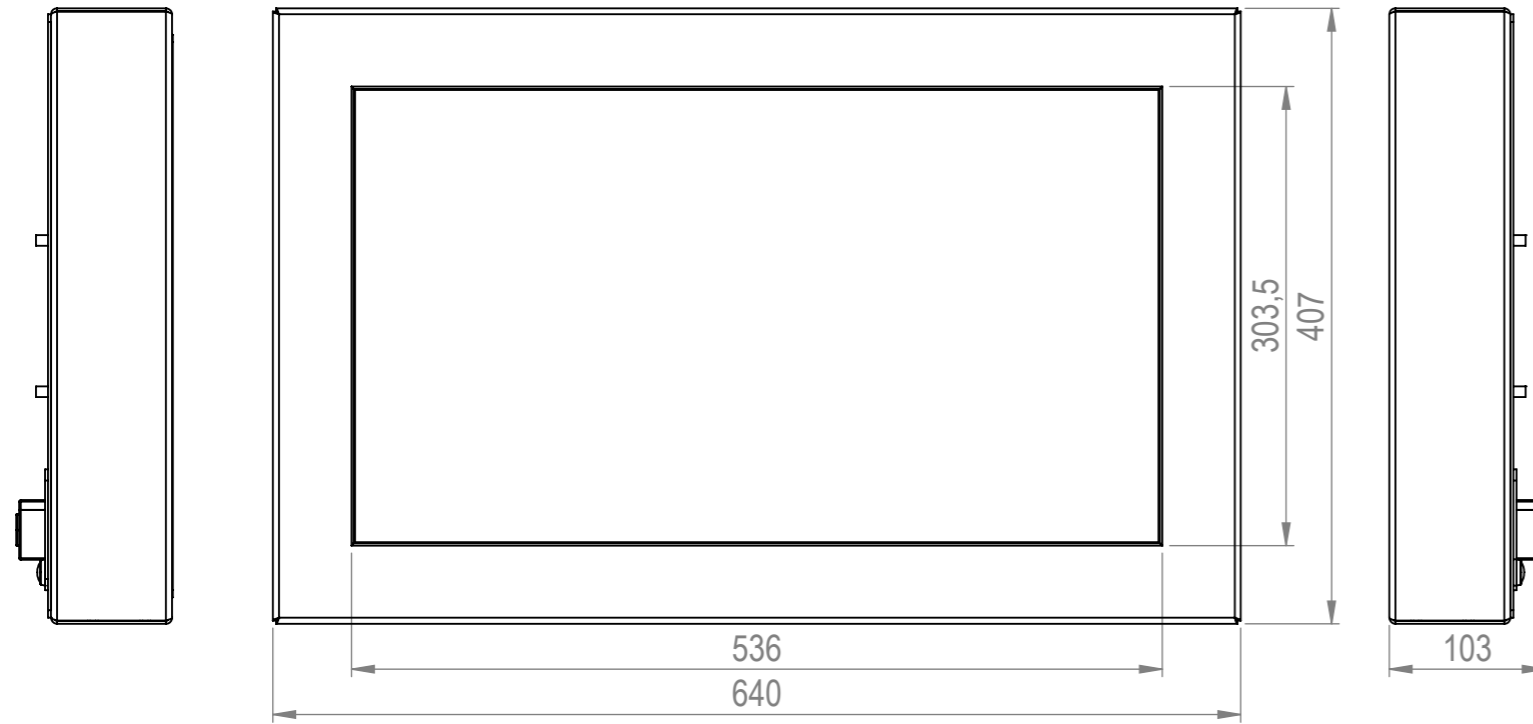
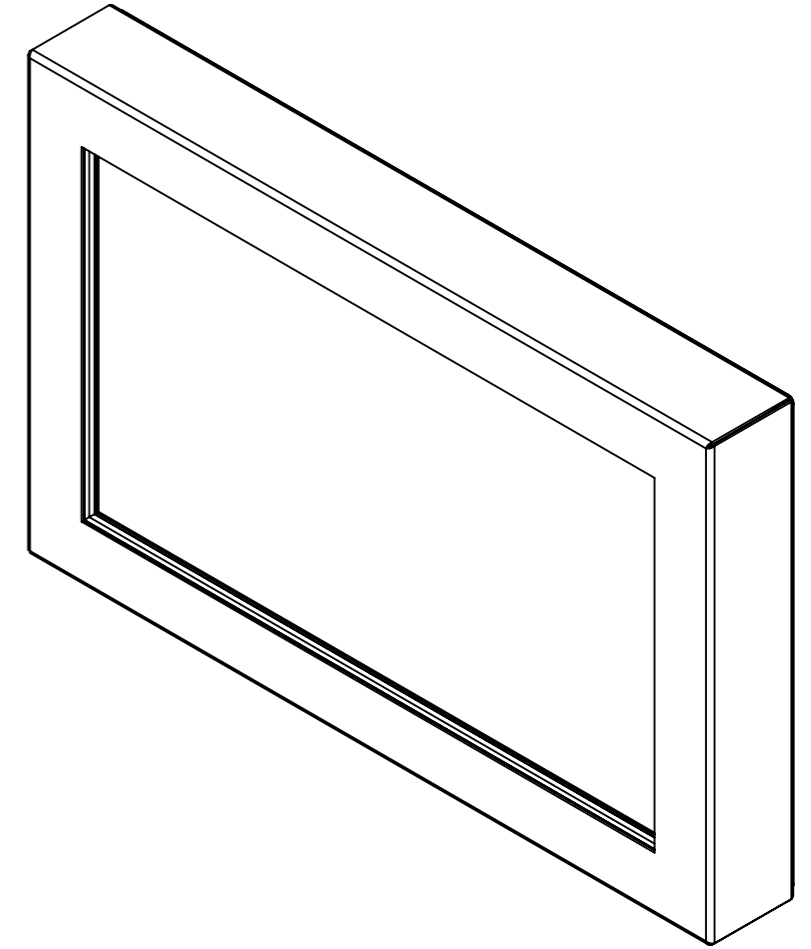
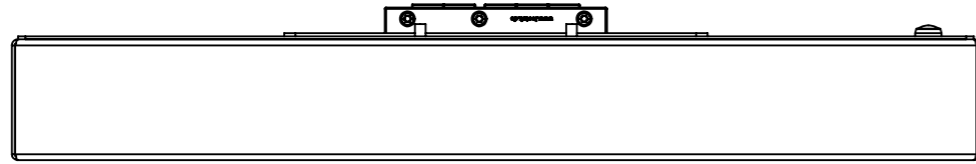
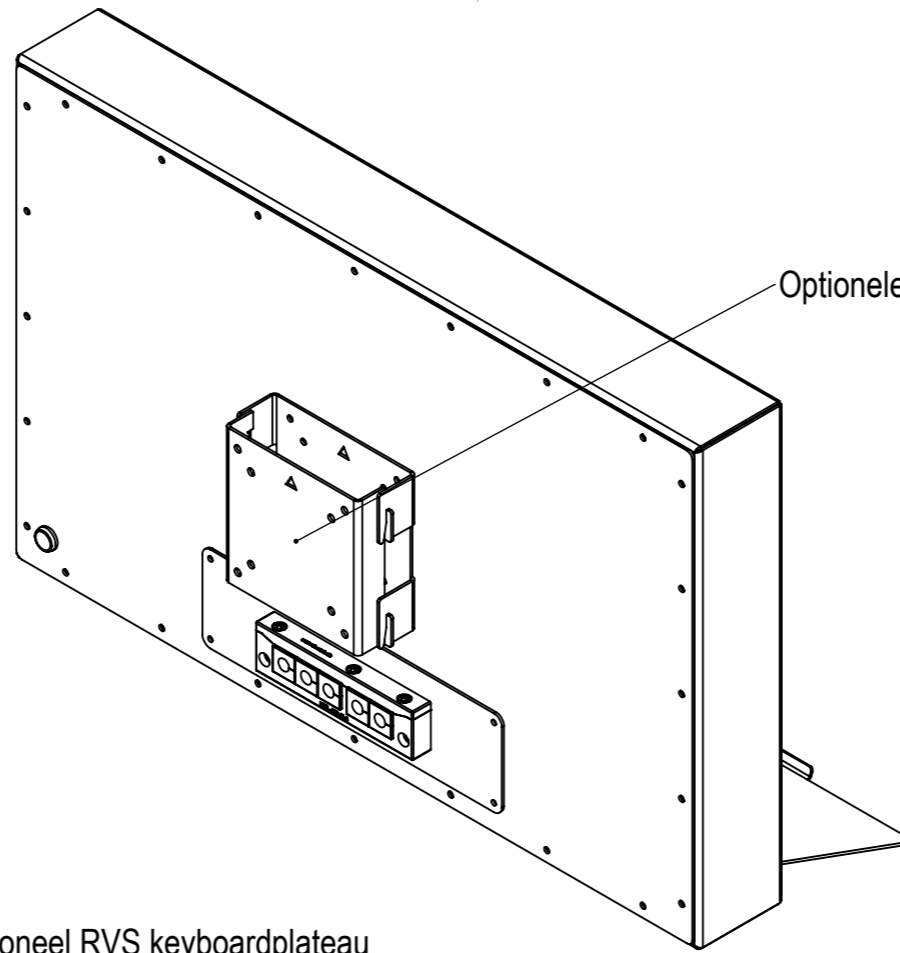
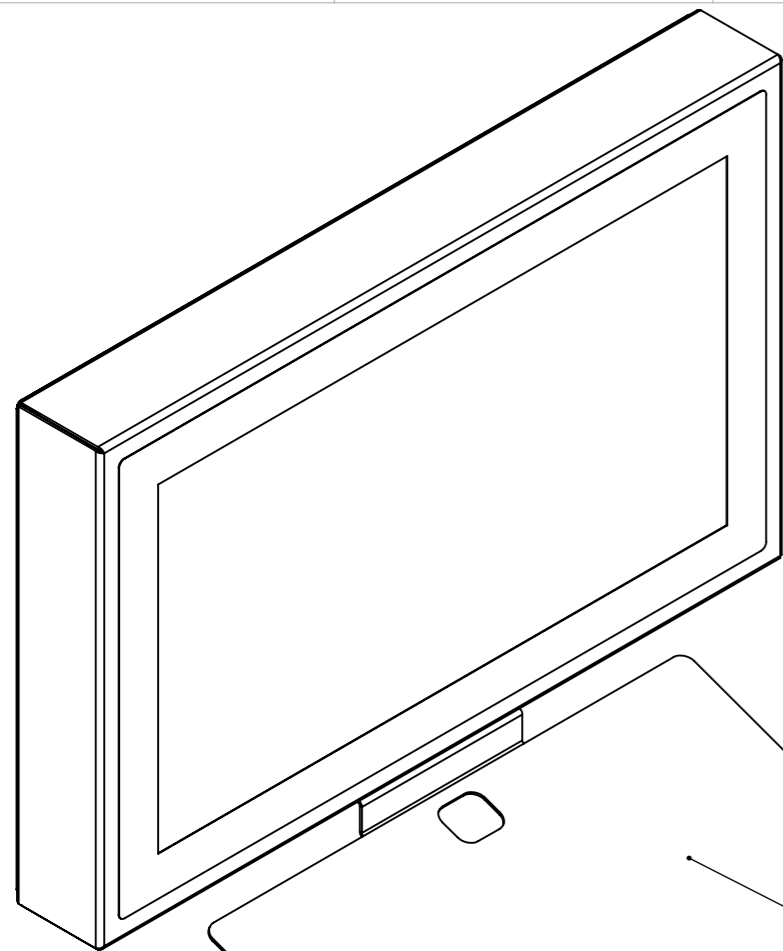


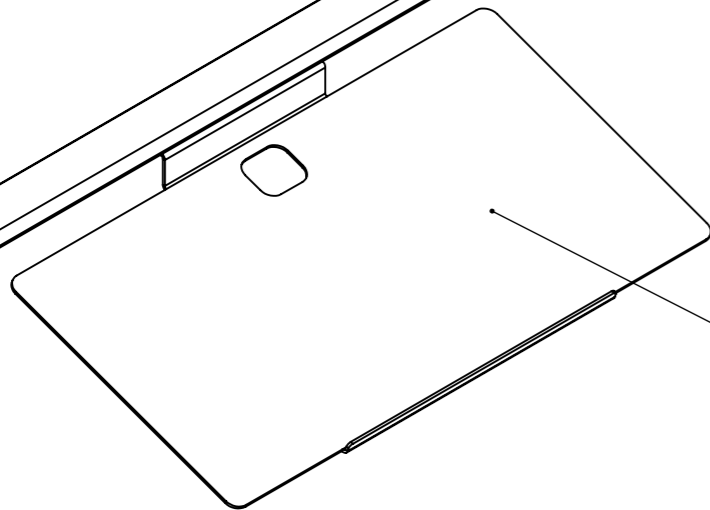
DATE		8-8-2021		DO NOT SCALE DRAWING		DIMENSIONS ARE IN MM	
REV.	DRAWN	FB		<b>TFT/Solutions</b>			
1-01	APPROVED	FB					
MATERIAL				DESCRIPTION			
2mm RVS316				PAGE NAME			
Verticaal geslepen				Resistive touch			
FINISH				DWG NO.			A3
				IPPC24-00			
				SCALE:1:5		SHEET 1 OF 4	



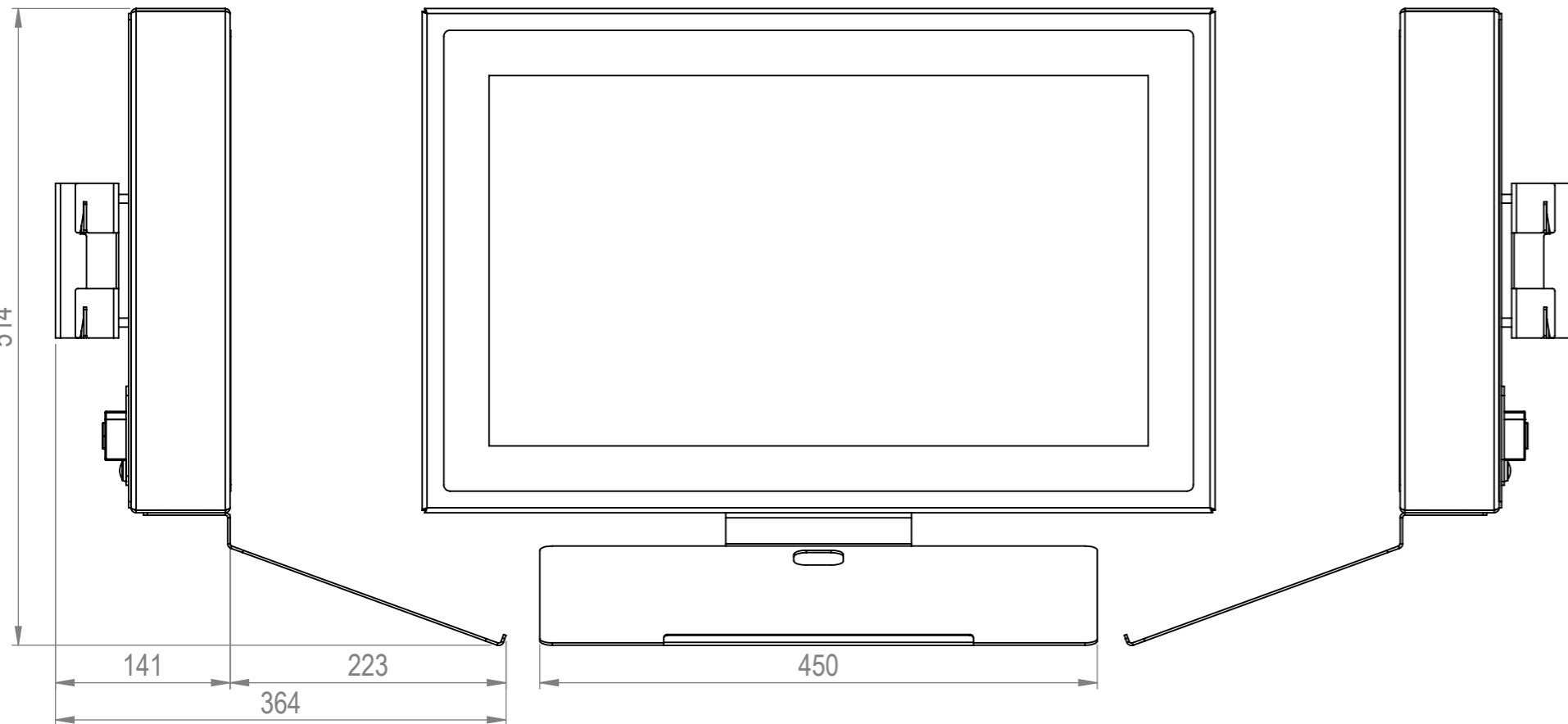
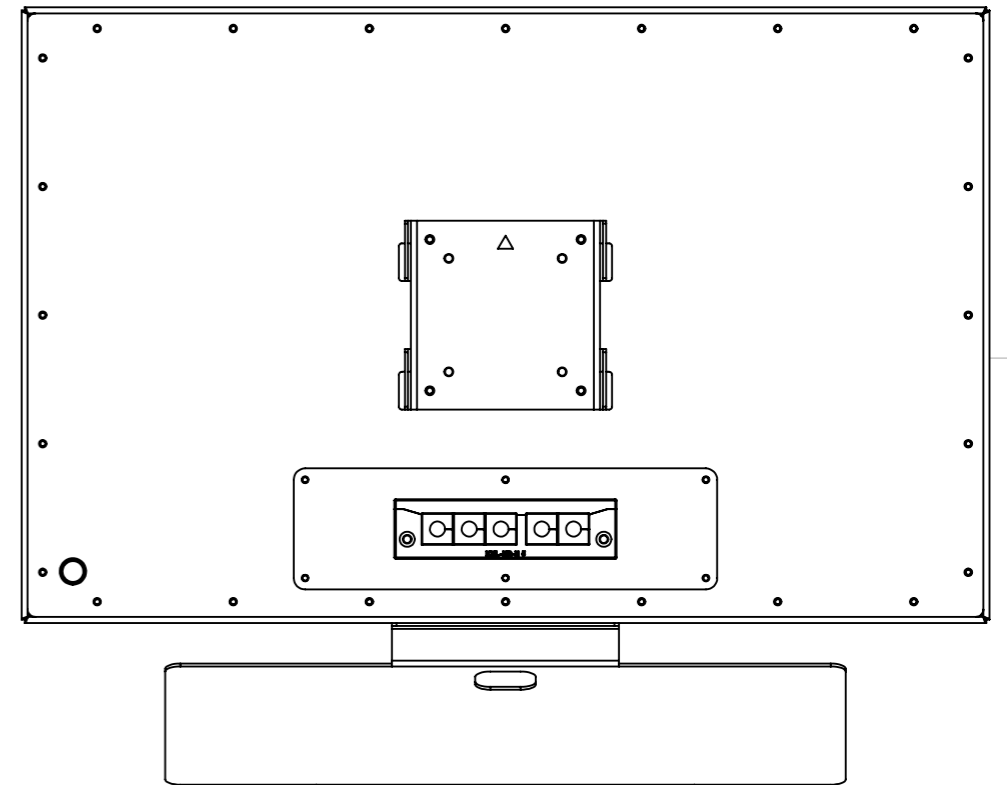
DATE		8-8-2021		DO NOT SCALE DRAWING		DIMENSIONS ARE IN MM	
REV.	DRAWN	FB		<b>TFT/Solutions</b>			
1-01	APPROVED	FB					
MATERIAL				DESCRIPTION			
2mm RVS316				PAGE NAME IRtouch			
FINISH				DWG NO.		A3	
Verticaal geslepen				IPPC24-00			
				SCALE:1:5		SHEET 2 OF 4	



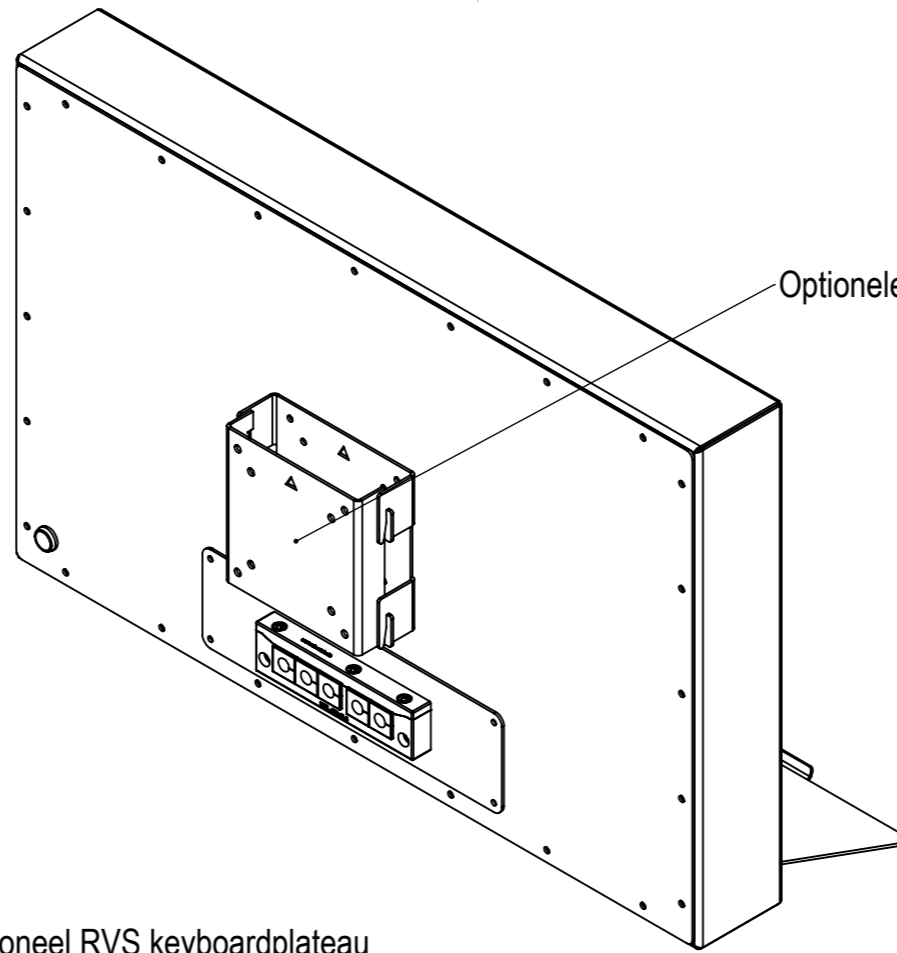
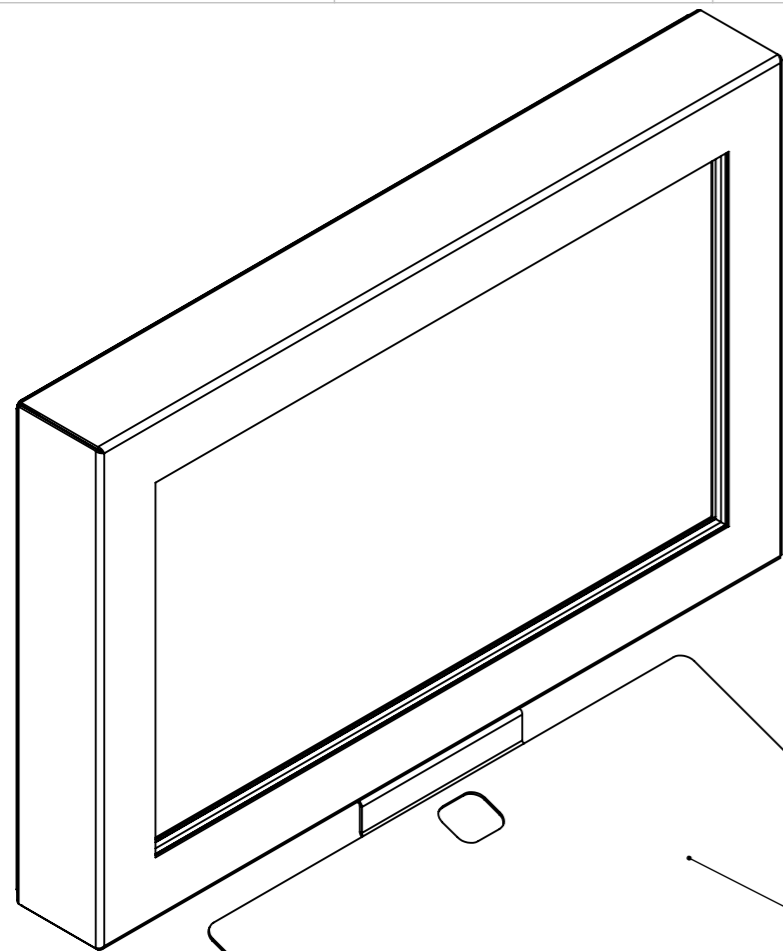
Optionele RVS wallmount



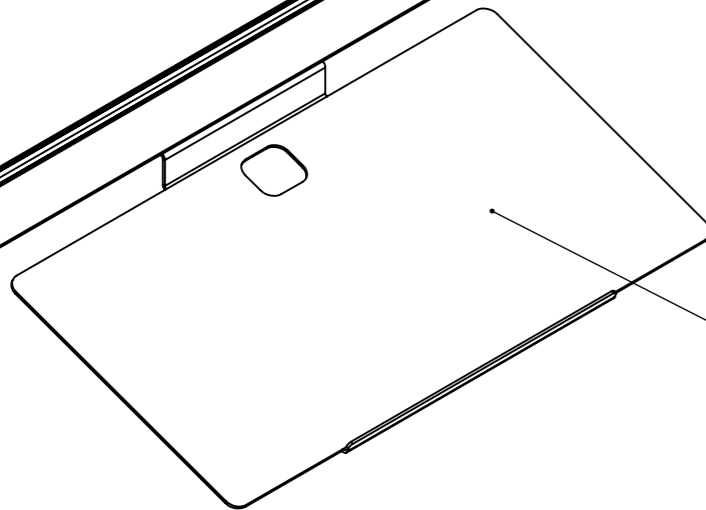
Optioneel RVS keyboardplateau



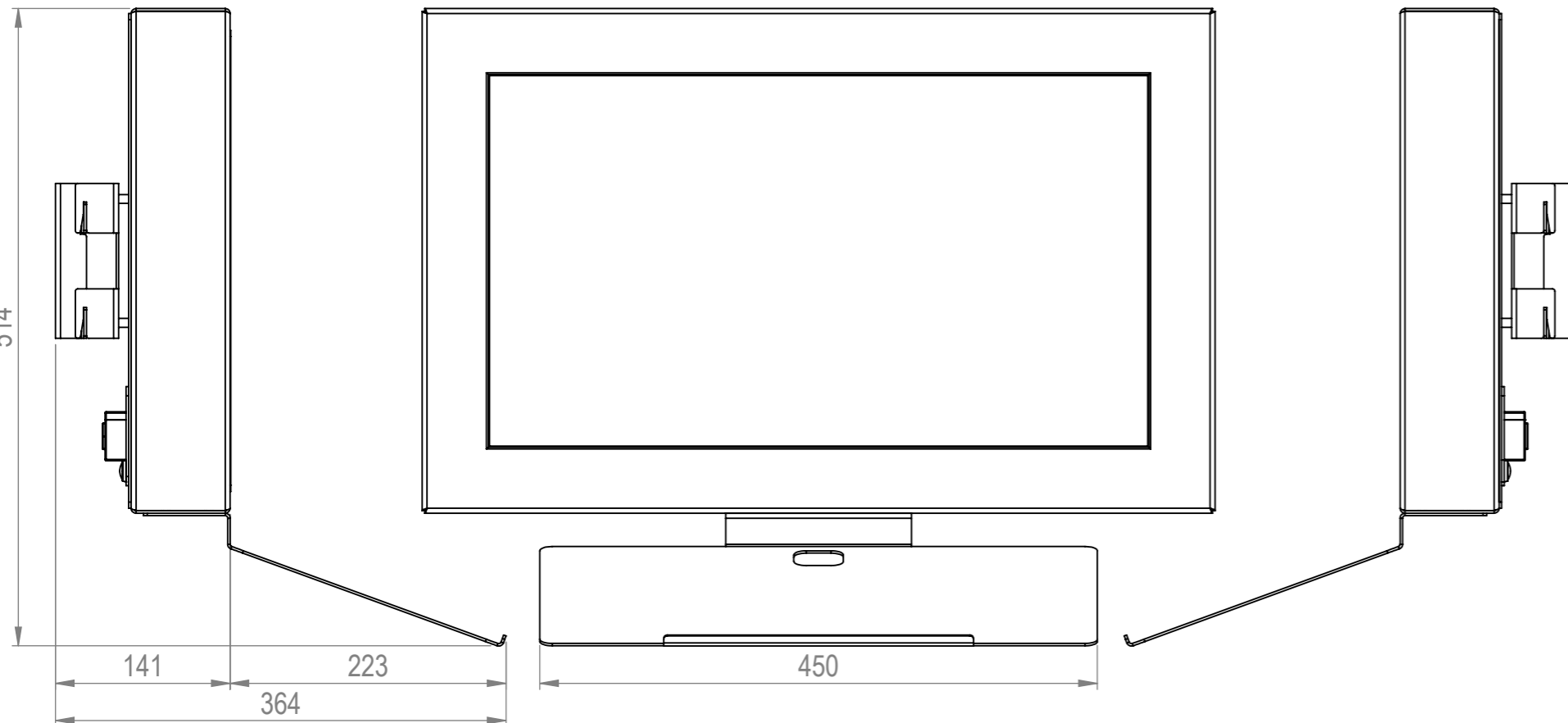
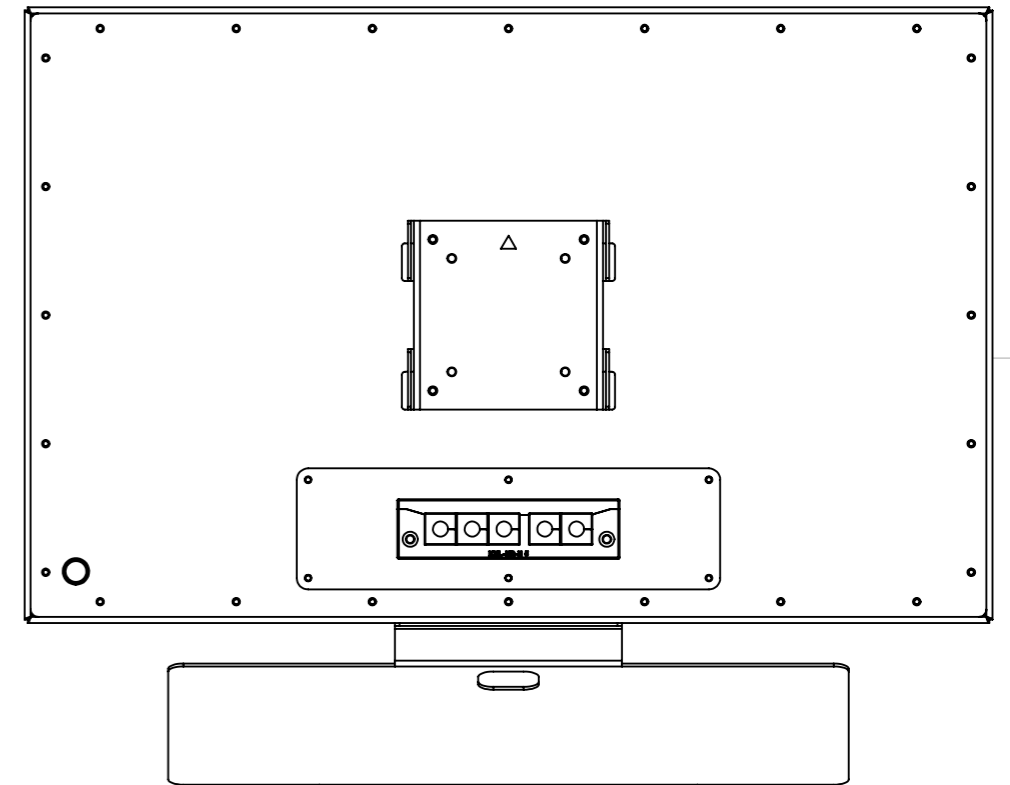
DATE		8-8-2021		DO NOT SCALE DRAWING		DIMENSIONS ARE IN MM	
REV.	DRAWN	FB		<b>TFT/Solutions</b>			
1-01	APPROVED	FB					
MATERIAL				DESCRIPTION			
2mm RVS316				PAGE NAME			
Verticaal geslepen				Resistive met accessoires			
FINISH				DWG NO.		A3	
				IPPC24-00			
				SCALE:1:5		SHEET 3 OF 4	



Optionele RVS wallmount



Optioneel RVS keyboardplateau



514

141

223

364

450

DATE		8-8-2021		DO NOT SCALE DRAWING		DIMENSIONS ARE IN MM	
REV.	DRAWN	FB		<b>TFT/Solutions</b>			
1-01	APPROVED	FB					
MATERIAL				DESCRIPTION			
2mm RVS316				PAGE NAME IRtouch met accessoires			
FINISH				DWG NO.		A3	
Verticaal geslepen				IPPC24-00			
				SCALE:1:5		SHEET 4 OF 4	