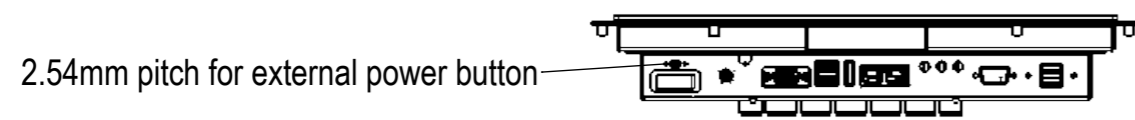
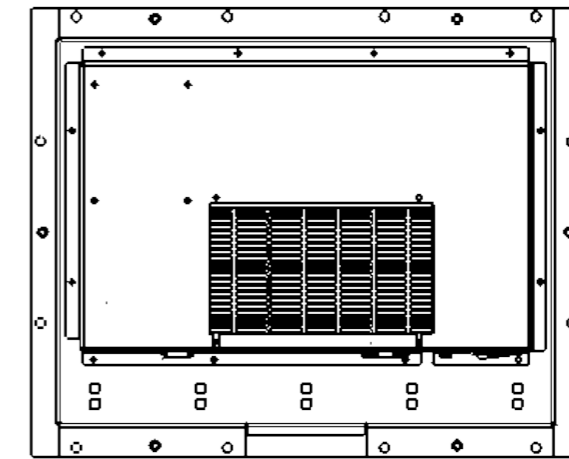
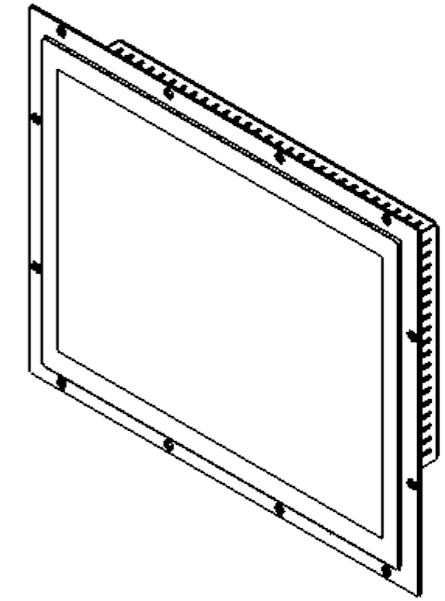
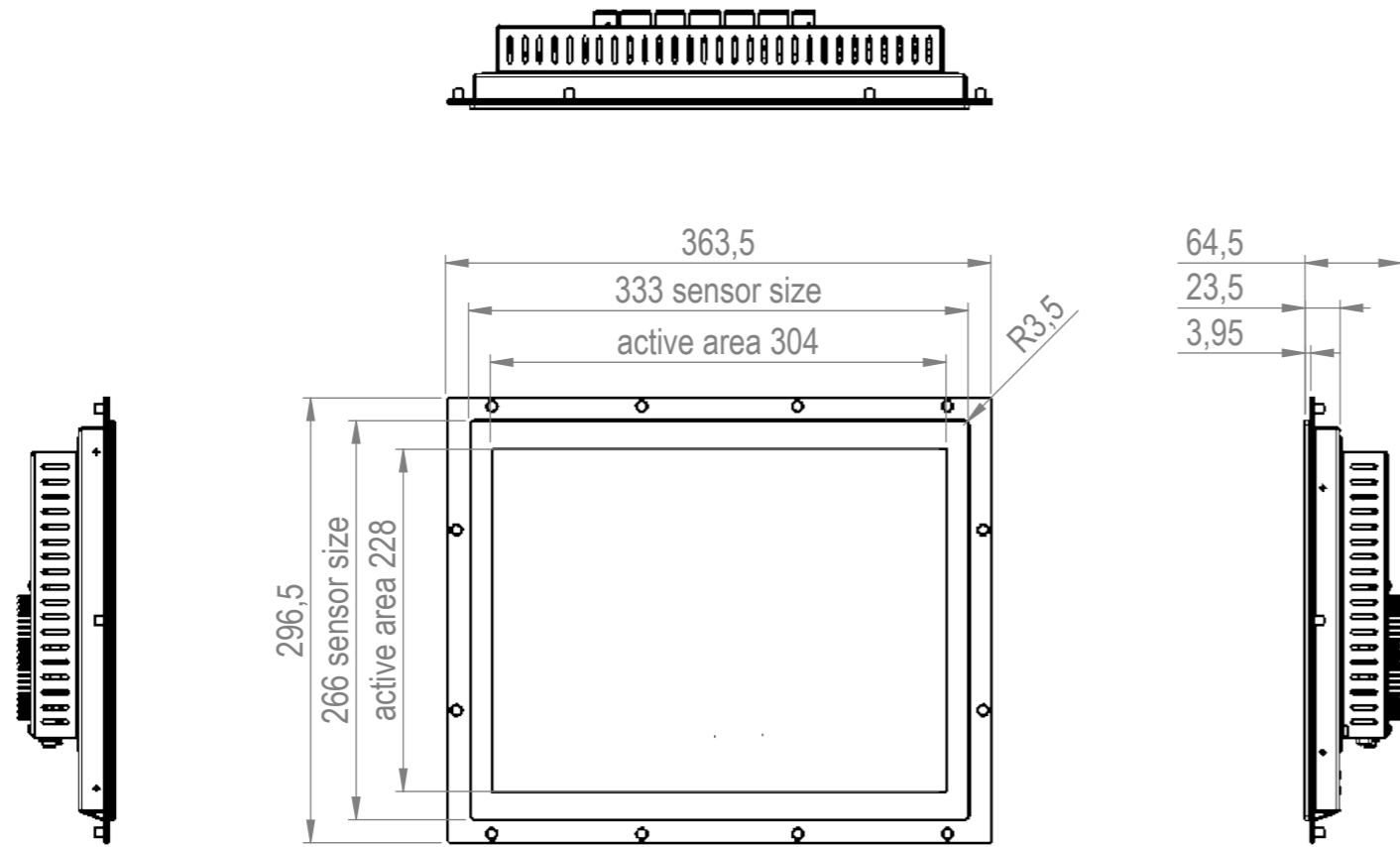
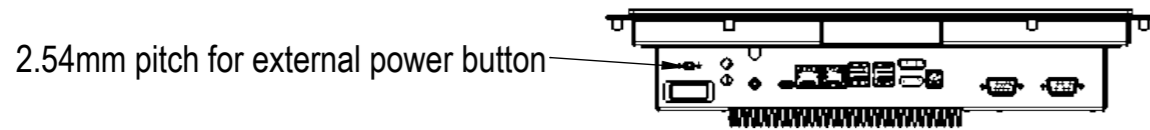
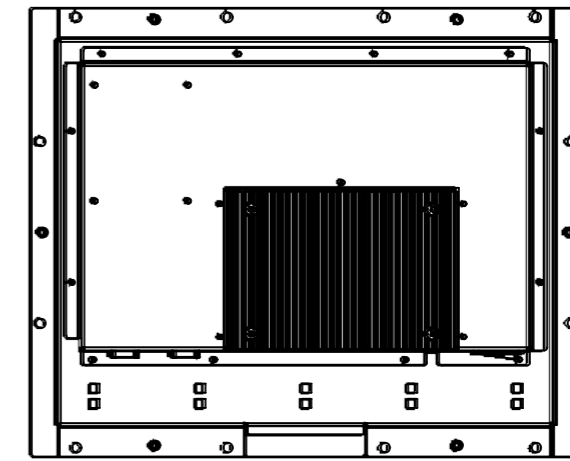
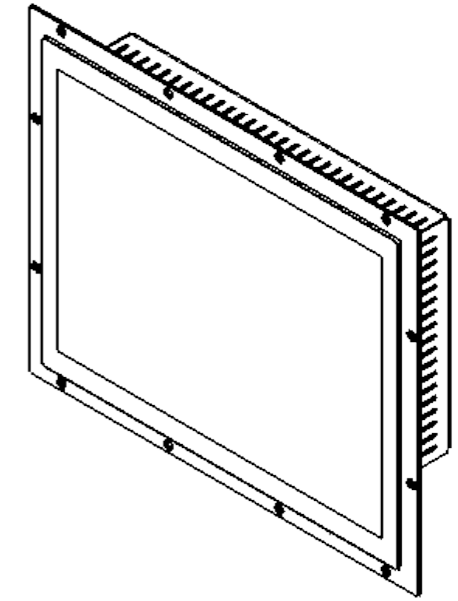
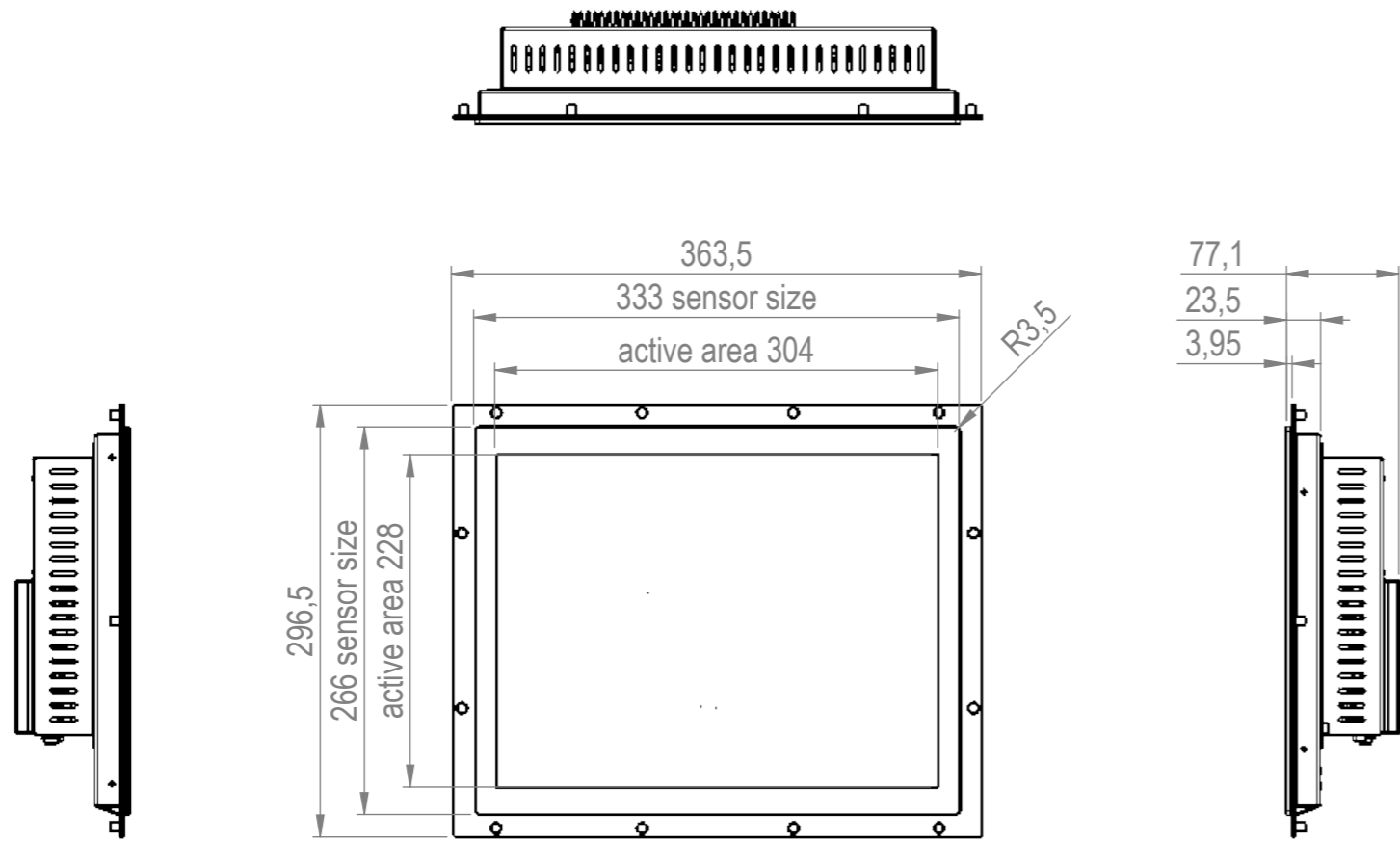


SEE LAST SHEET FOR RECOMMENDED PANEL CUT-OUT AND MOUNTING POSITIONS



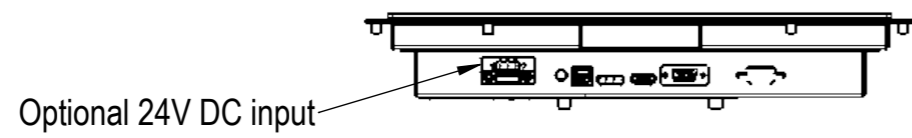
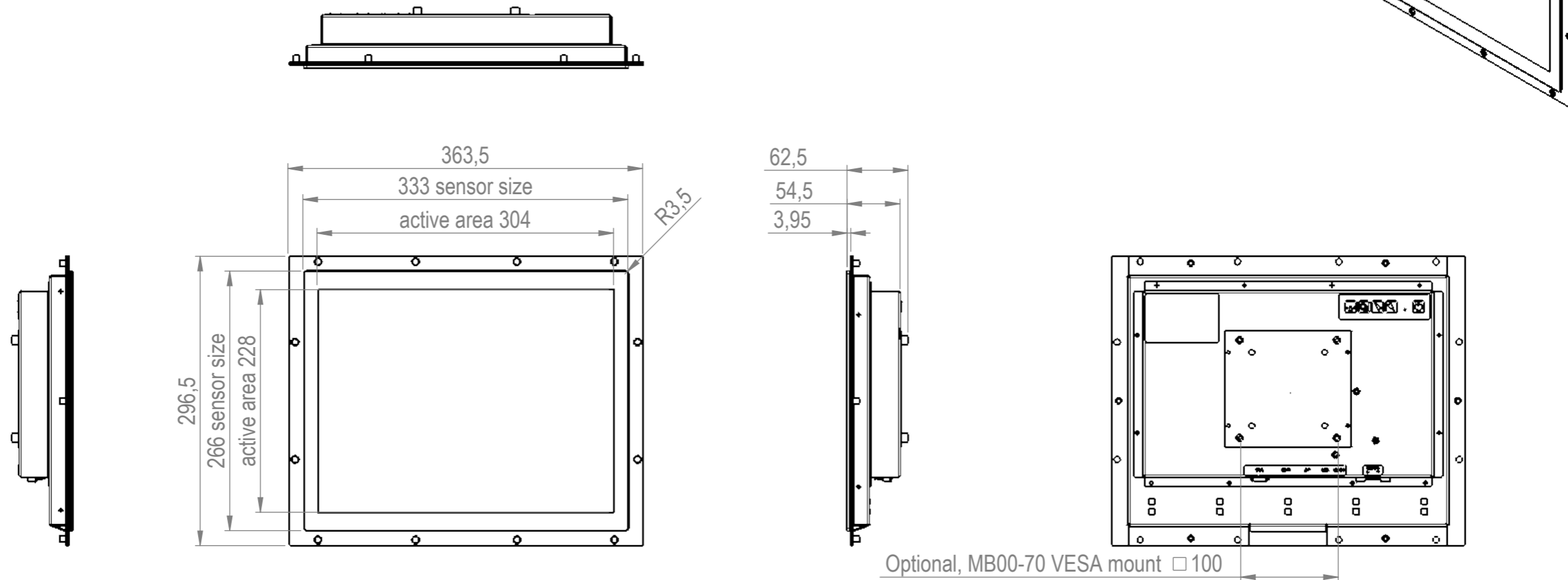
DATE		8-9-2023		DO NOT SCALE DRAWING		DIMENSIONS ARE IN MM	
REV.	DRAWN	AdJ		<b>TFT/Solutions</b>			
1-01	APPROVED	AdJ					
MATERIAL				DESCRIPTION Assembly			
FINISH				PAGE NAME P150-C4, Celeron J6412			
				DWG NO. P150-00			
				SCALE:1:5		A3	
				SHEET 1 OF 4			

SEE LAST SHEET FOR RECOMMENDED PANEL CUT-OUT AND MOUNTING POSITIONS

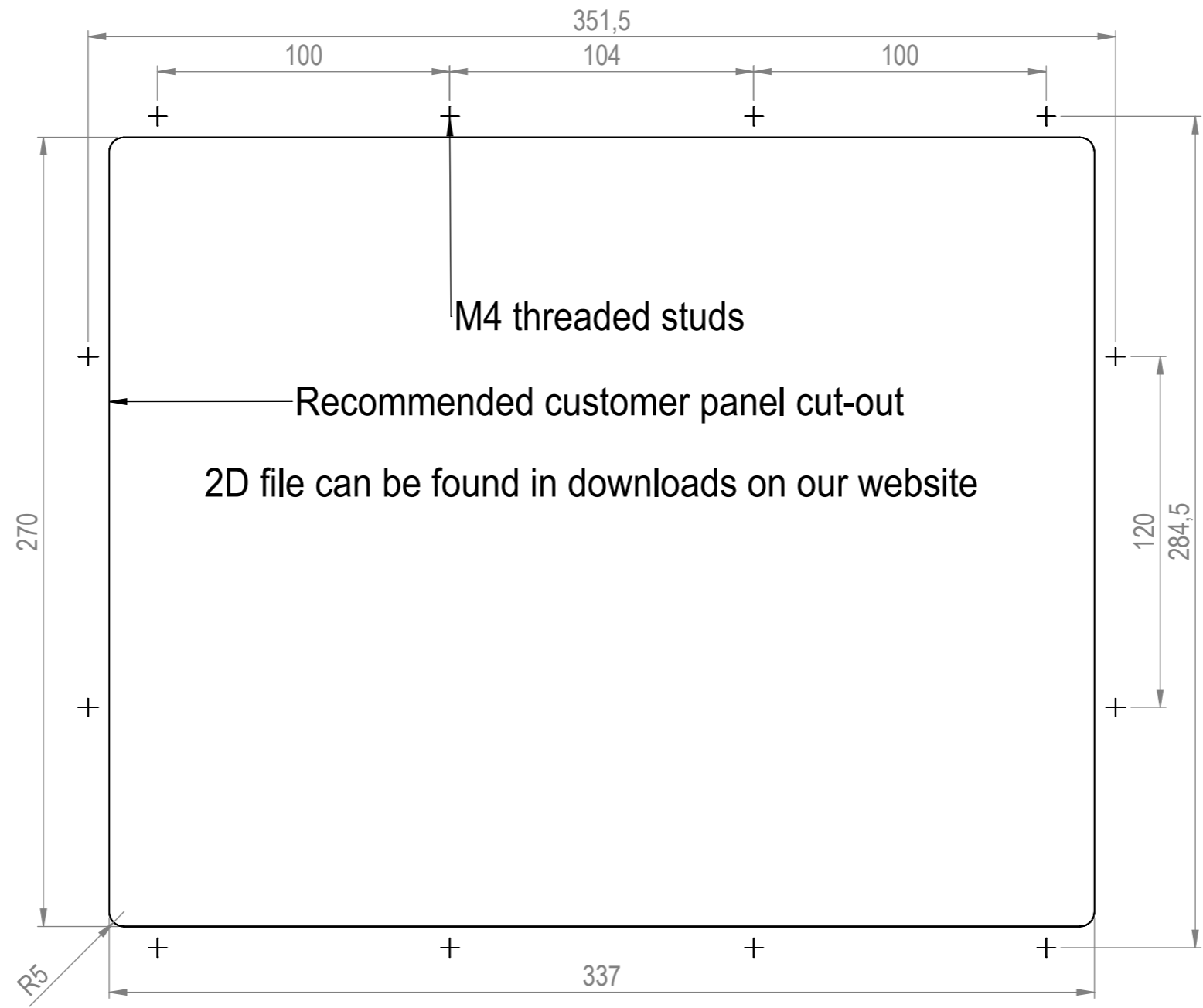


DATE		8-9-2023		DO NOT SCALE DRAWING		DIMENSIONS ARE IN MM	
REV.	DRAWN	AdJ		<b>TFT/Solutions</b>			
1-01	APPROVED	AdJ					
MATERIAL				DESCRIPTION			
				Assembly			
FINISH				PAGE NAME			
				P150-51, i5-8265U			
				DWG NO.		A3	
				P150-00			
				SCALE:1:5		SHEET 2 OF 4	

SEE LAST SHEET FOR RECOMMENDED PANEL CUT-OUT AND MOUNTING POSITIONS



DATE		8-9-2023		DO NOT SCALE DRAWING		DIMENSIONS ARE IN MM	
REV.	DRAWN	AdJ		<b>TFT/Solutions</b>			
1-01	APPROVED	AdJ					
MATERIAL				DESCRIPTION Assembly			
FINISH				PAGE NAME P150-MON			
				DWG NO. P150-00			
				SCALE:1:5		SHEET 3 OF 4	
						A3	



DATE		8-9-2023		DO NOT SCALE DRAWING		DIMENSIONS ARE IN MM	
REV.	DRAWN	AdJ		<b>TFT/Solutions</b>			
1-01	APPROVED	AdJ					
MATERIAL				DESCRIPTION Assembly			
FINISH				PAGE NAME Mounting guide			
				DWG NO. P150-00		A3	
				SCALE:1:2		SHEET 4 OF 4	