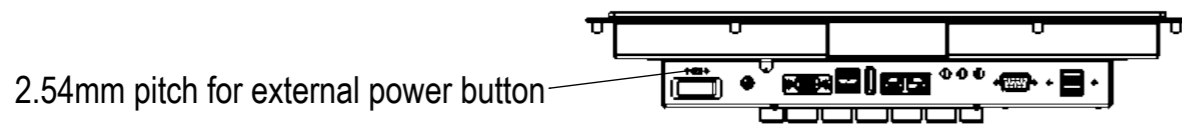
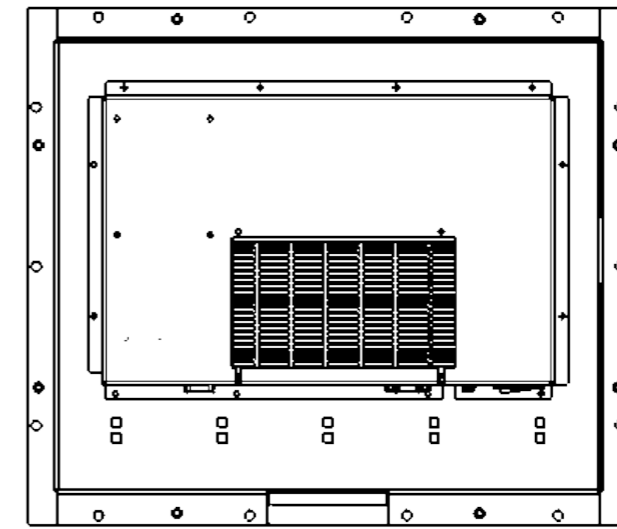
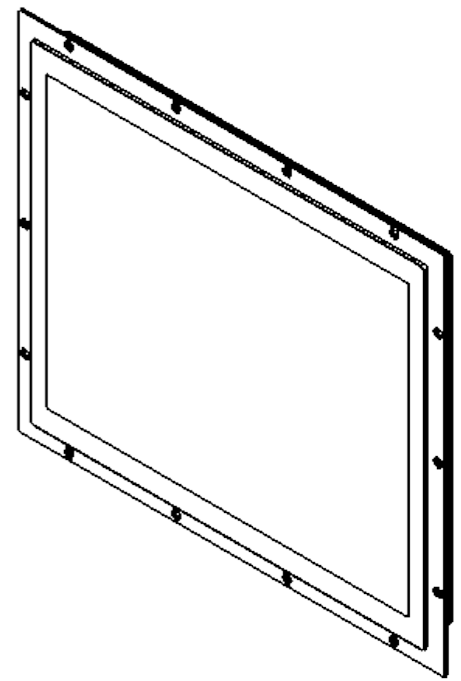
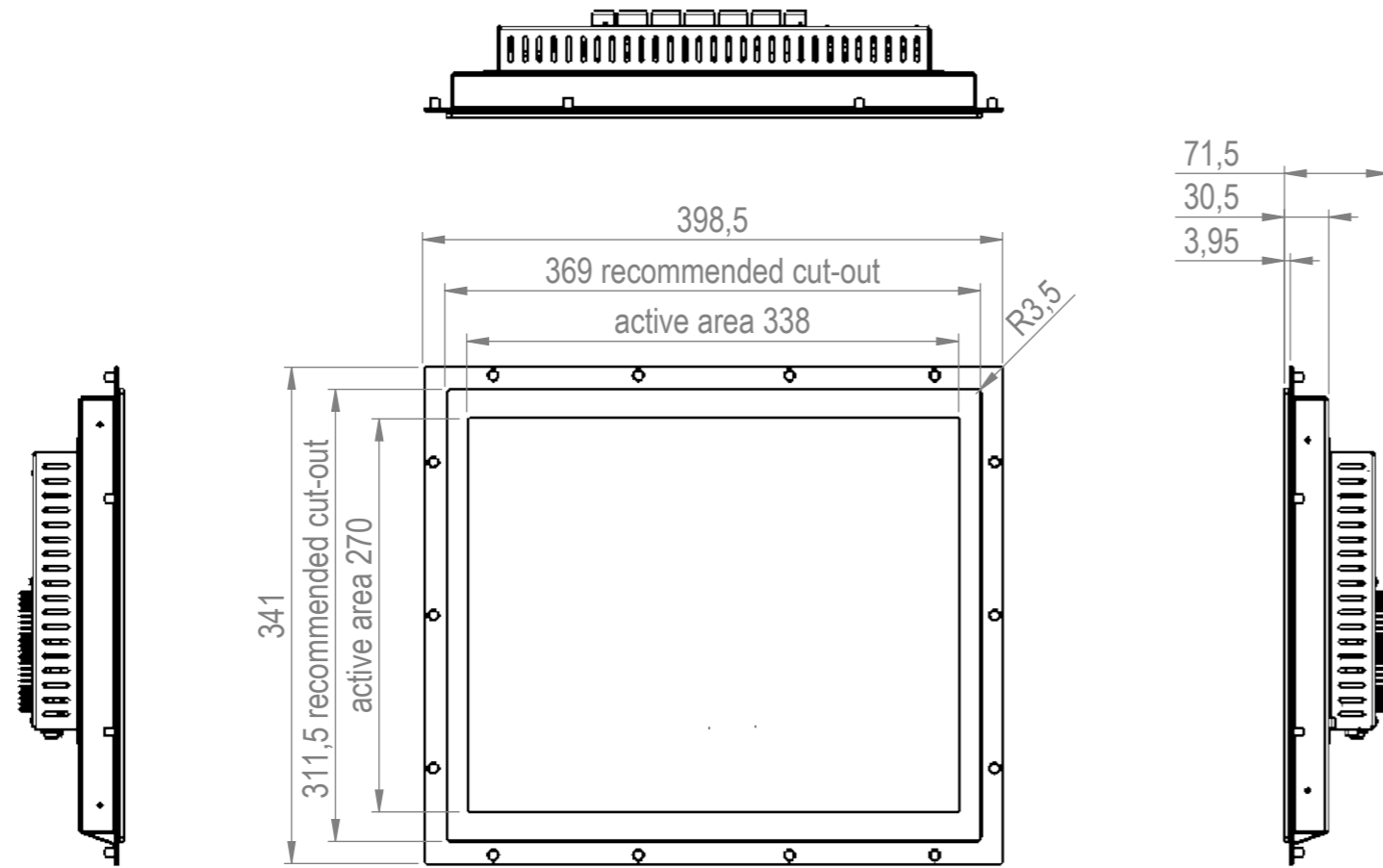
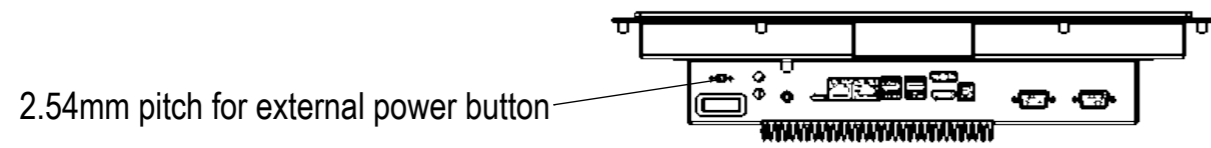
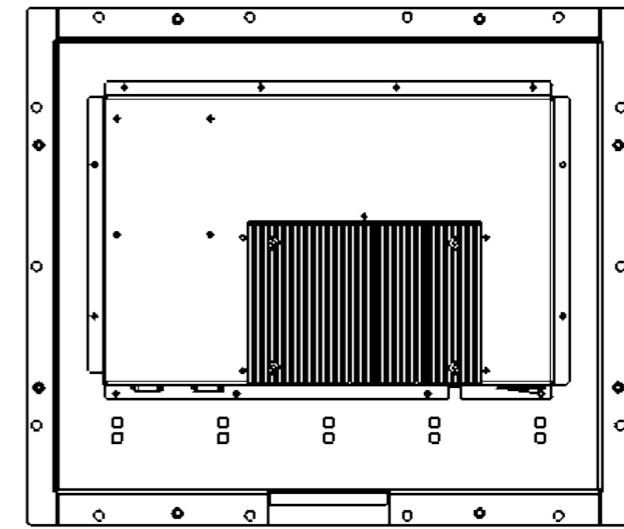
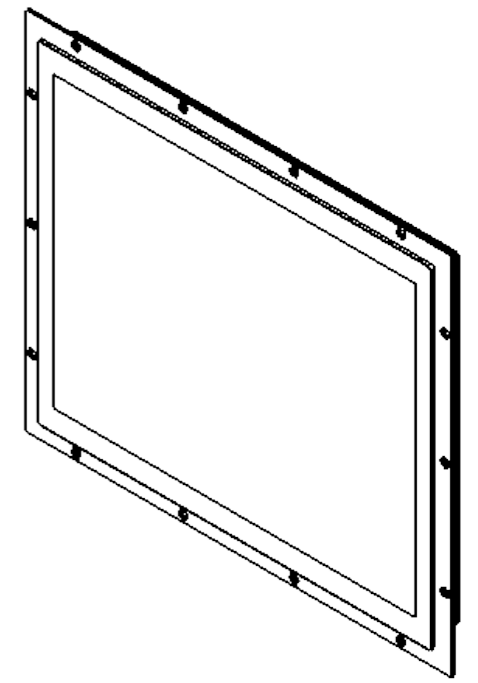
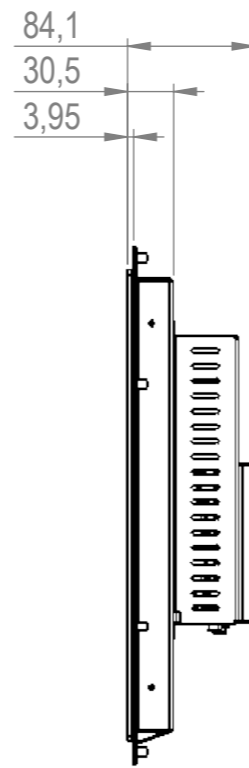
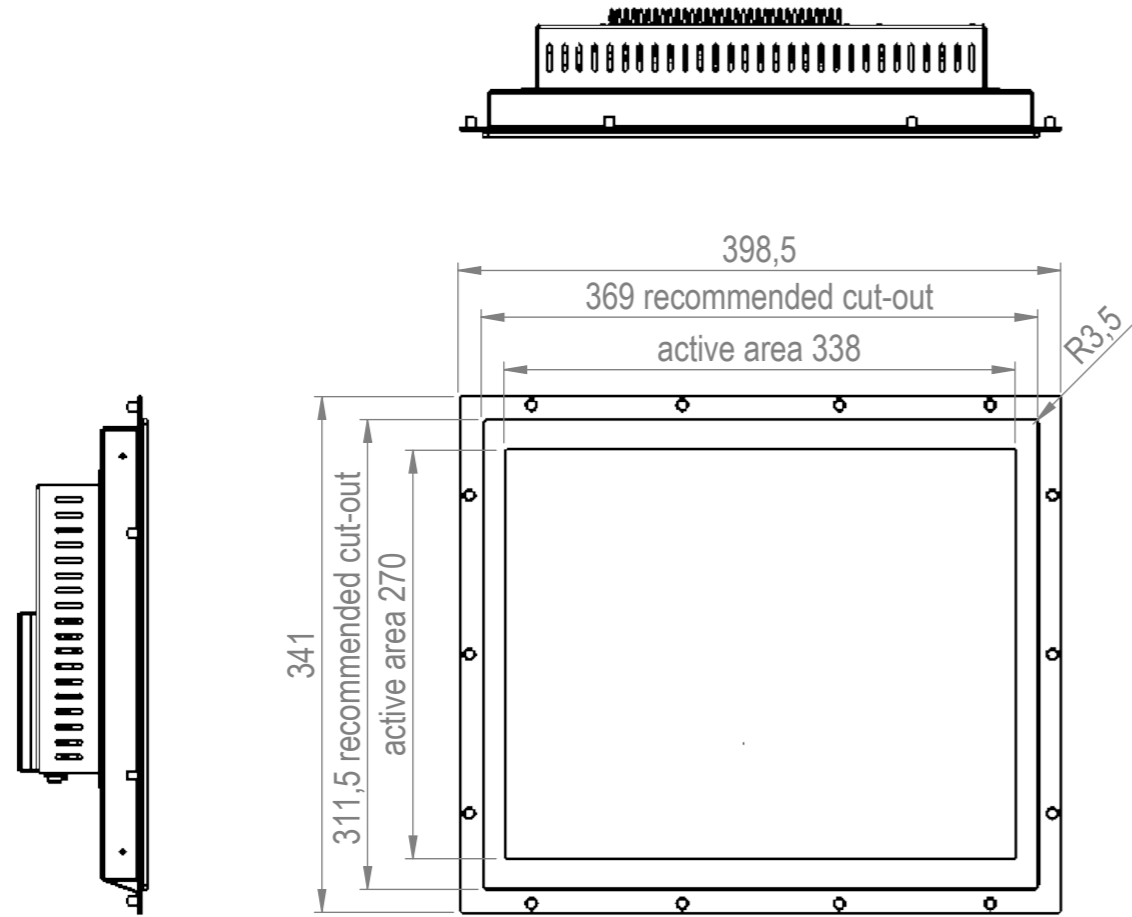


SEE LAST SHEET FOR RECOMMENDED PANEL CUT-OUT AND MOUNTING POSITIONS



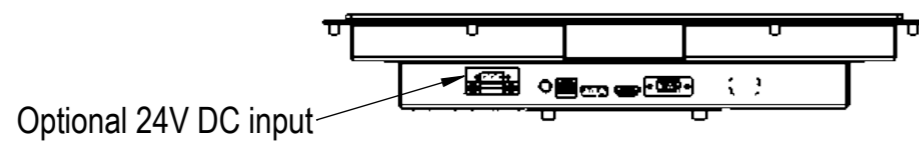
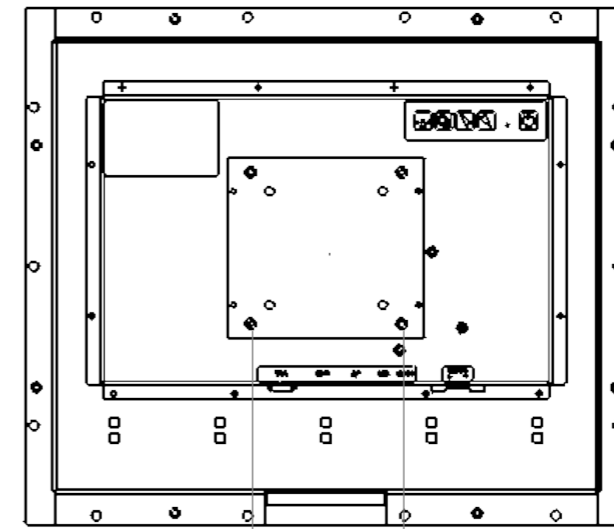
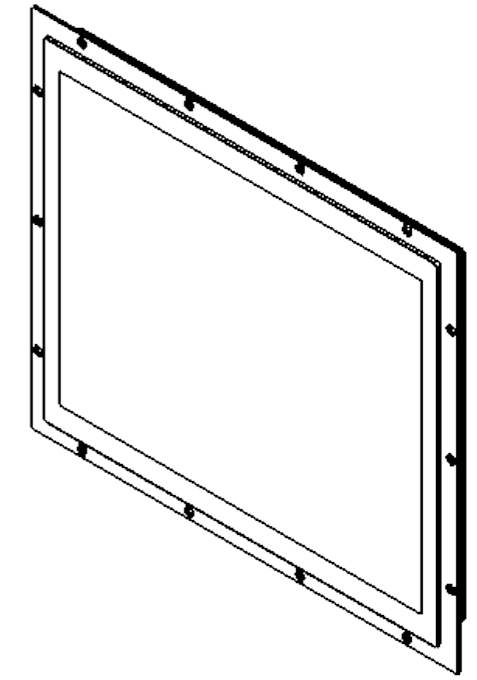
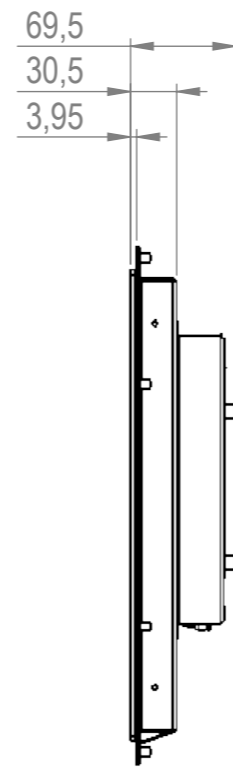
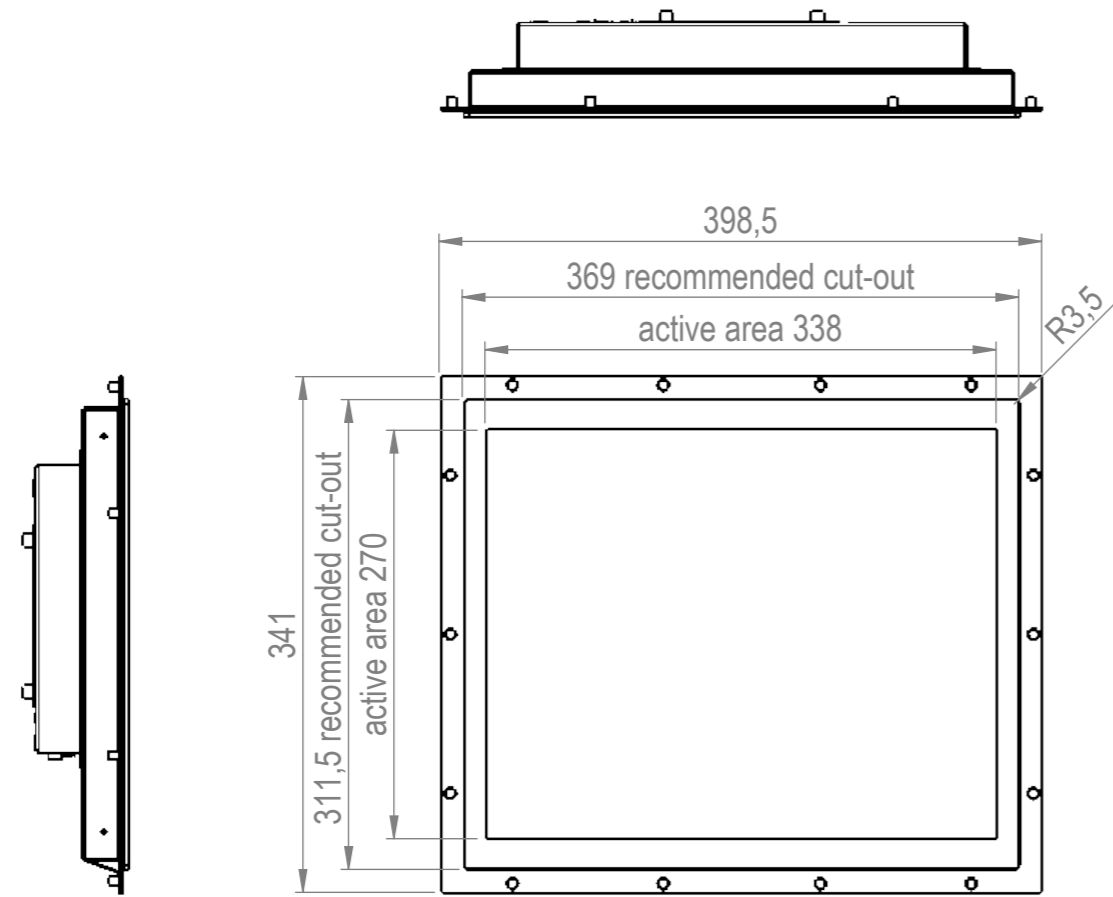
DATE		8-9-2023		DO NOT SCALE DRAWING		DIMENSIONS ARE IN MM	
REV.	DRAWN	AdJ		<b>TFT/Solutions</b>			
1-02	APPROVED	AdJ					
MATERIAL				DESCRIPTION			
				Assembly			
FINISH				PAGE NAME			
				P170-C4, Celeron J6412			
				DWG NO.		A3	
				P170-00			
				SCALE:1:5		SHEET 1 OF 4	

SEE LAST SHEET FOR RECOMMENDED PANEL CUT-OUT AND MOUNTING POSITIONS

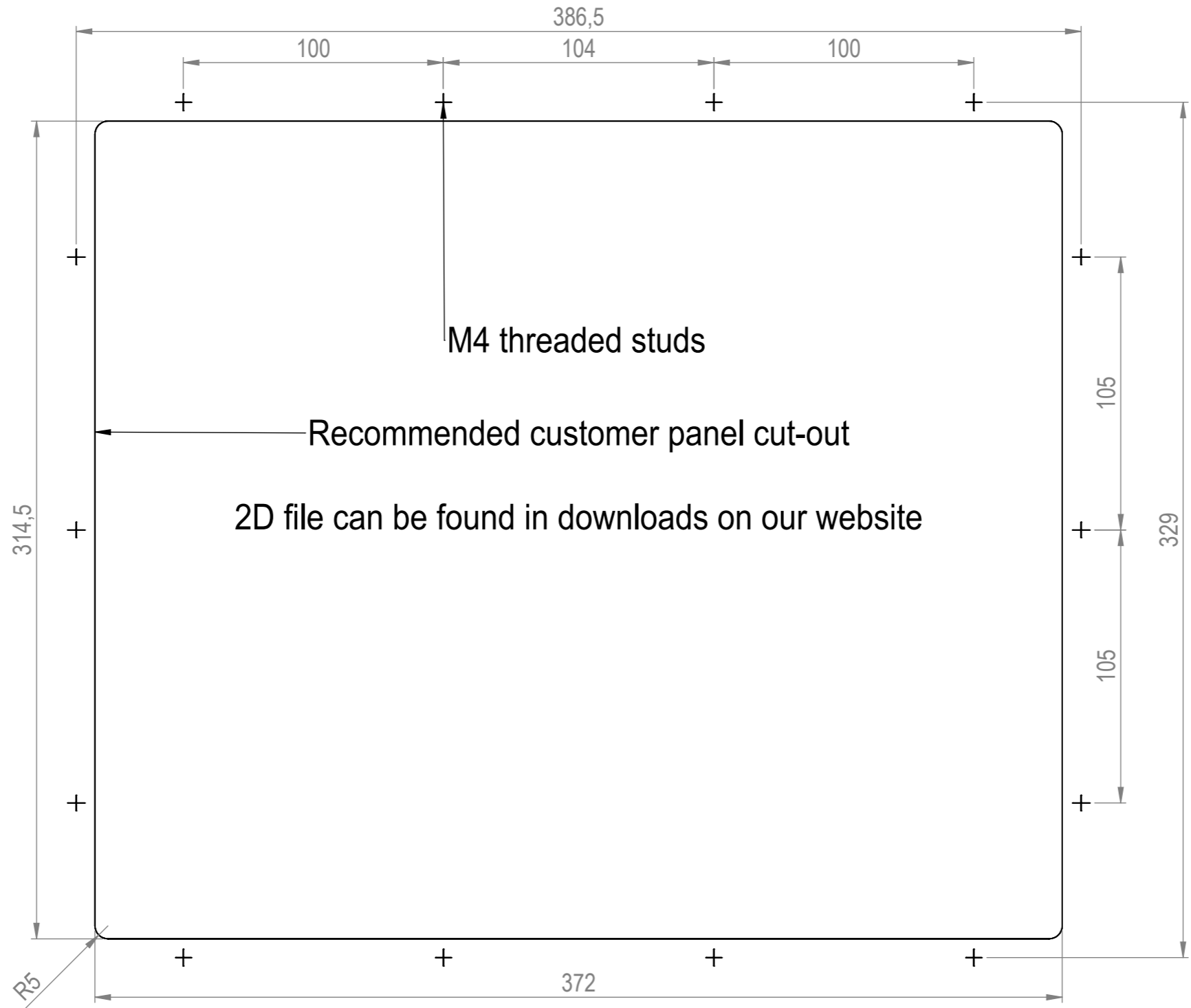


DATE		8-9-2023		DO NOT SCALE DRAWING		DIMENSIONS ARE IN MM	
REV.	DRAWN	AdJ		<b>TFT/Solutions</b>			
1-02	APPROVED	AdJ					
MATERIAL				DESCRIPTION			
				Assembly			
FINISH				PAGE NAME			
				P170-51, i5-8265U			
				DWG NO.			
				P170-00			
				SCALE:1:5		SHEET 2 OF 4	
						A3	

SEE LAST SHEET FOR RECOMMENDED PANEL CUT-OUT AND MOUNTING POSITIONS



DATE		8-9-2023		DO NOT SCALE DRAWING		DIMENSIONS ARE IN MM	
REV.	DRAWN	AdJ		<b>TFT/Solutions</b>			
1-02	APPROVED	AdJ					
MATERIAL				DESCRIPTION			
				Assembly			
FINISH				PAGE NAME			
				P170-MON			
				DWG NO.			
				P170-00			
				SCALE:1:5		SHEET 3 OF 4	
						A3	



DATE		8-9-2023		DO NOT SCALE DRAWING		DIMENSIONS ARE IN MM	
REV.	DRAWN	AdJ		<b>TFT/Solutions</b>			
1-02	APPROVED	AdJ					
MATERIAL				DESCRIPTION			
				Assembly			
				PAGE NAME			
				Mounting guide			
FINISH				DWG NO.		A3	
				P170-00			
				SCALE:1:2		SHEET 4 OF 4	