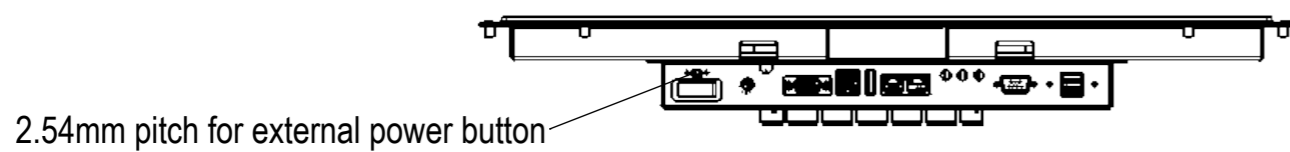
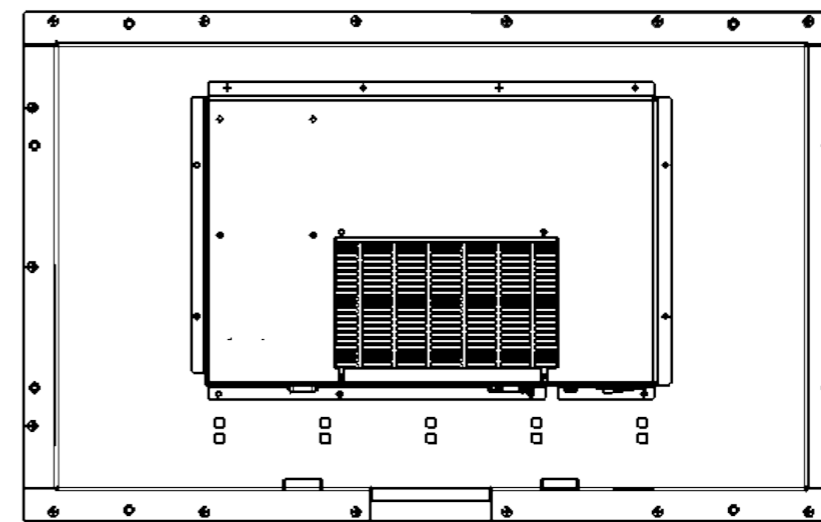
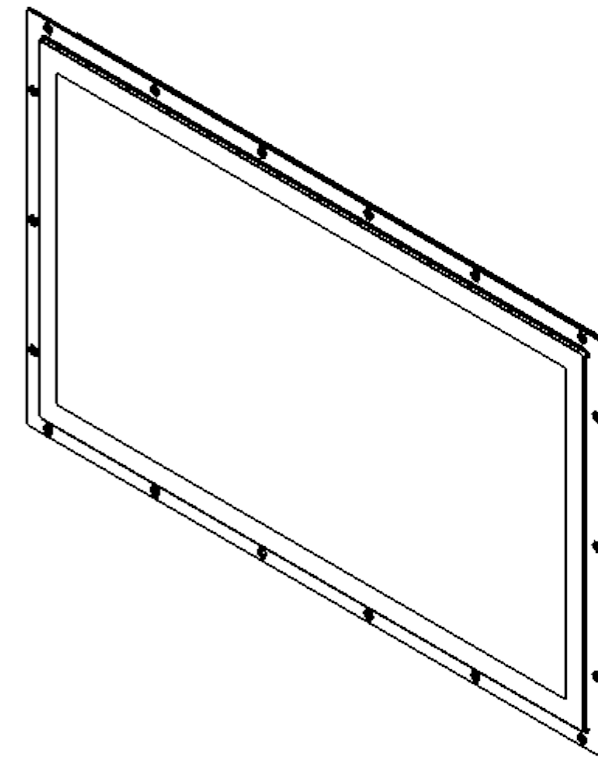
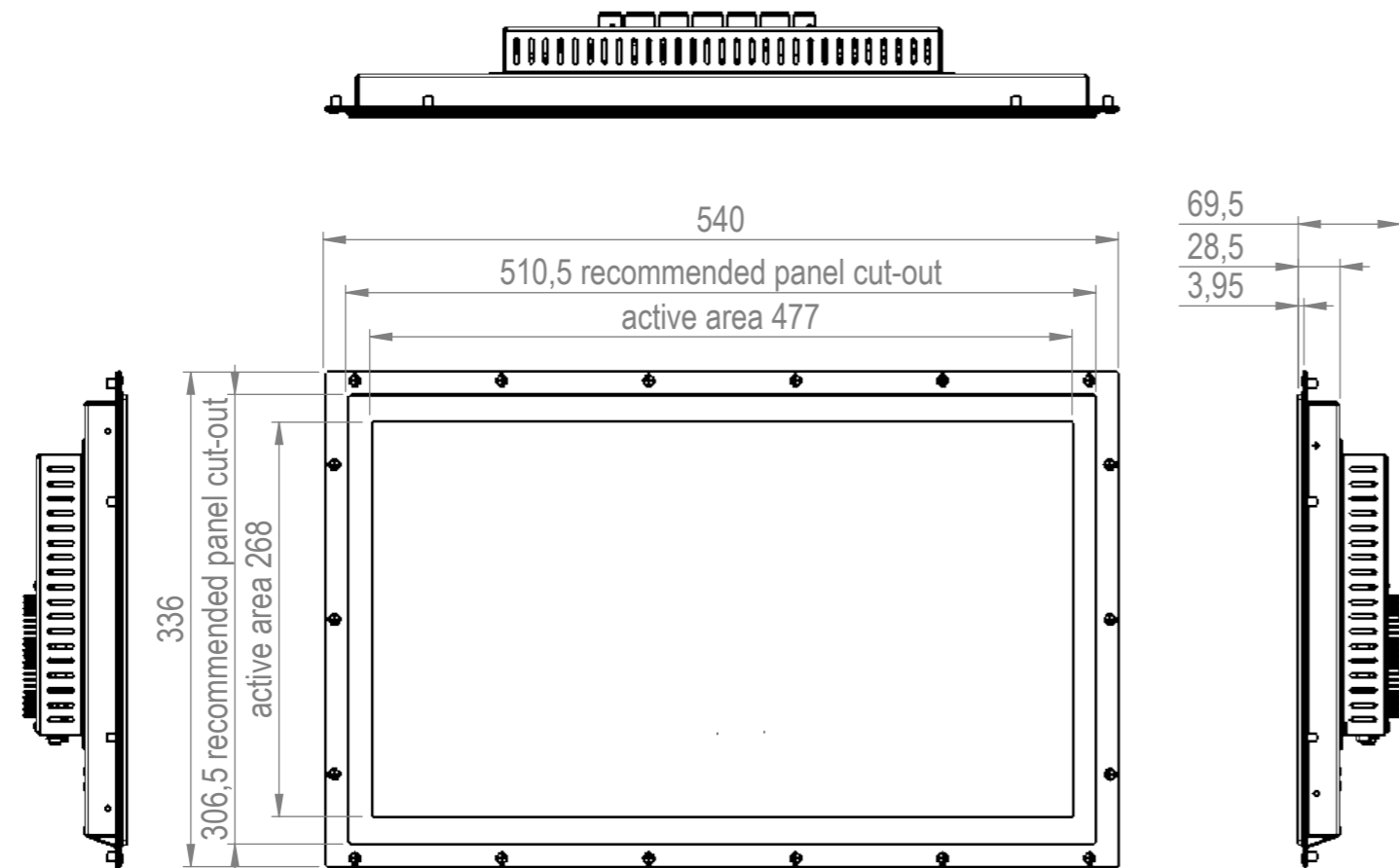
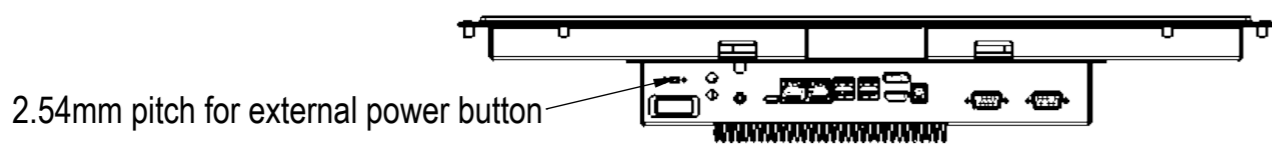
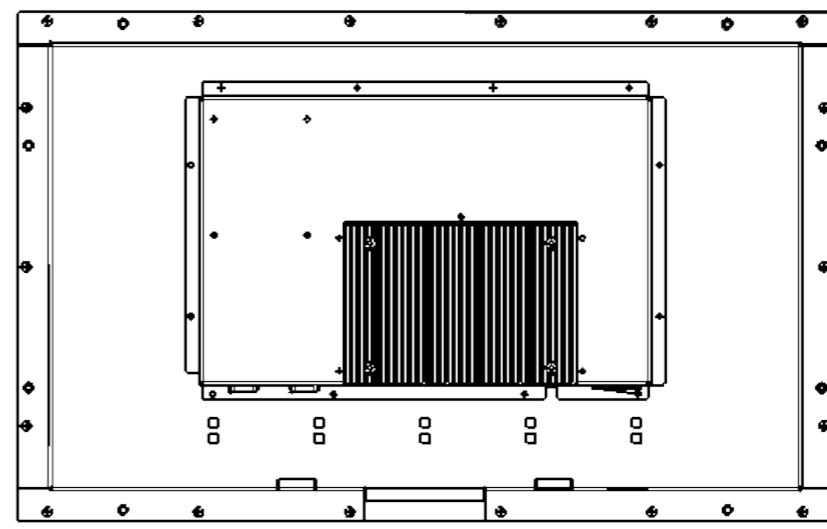
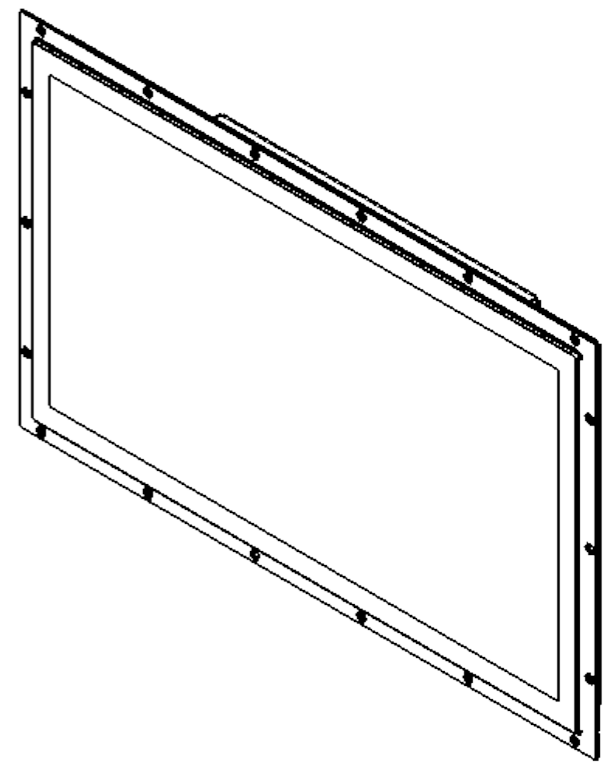
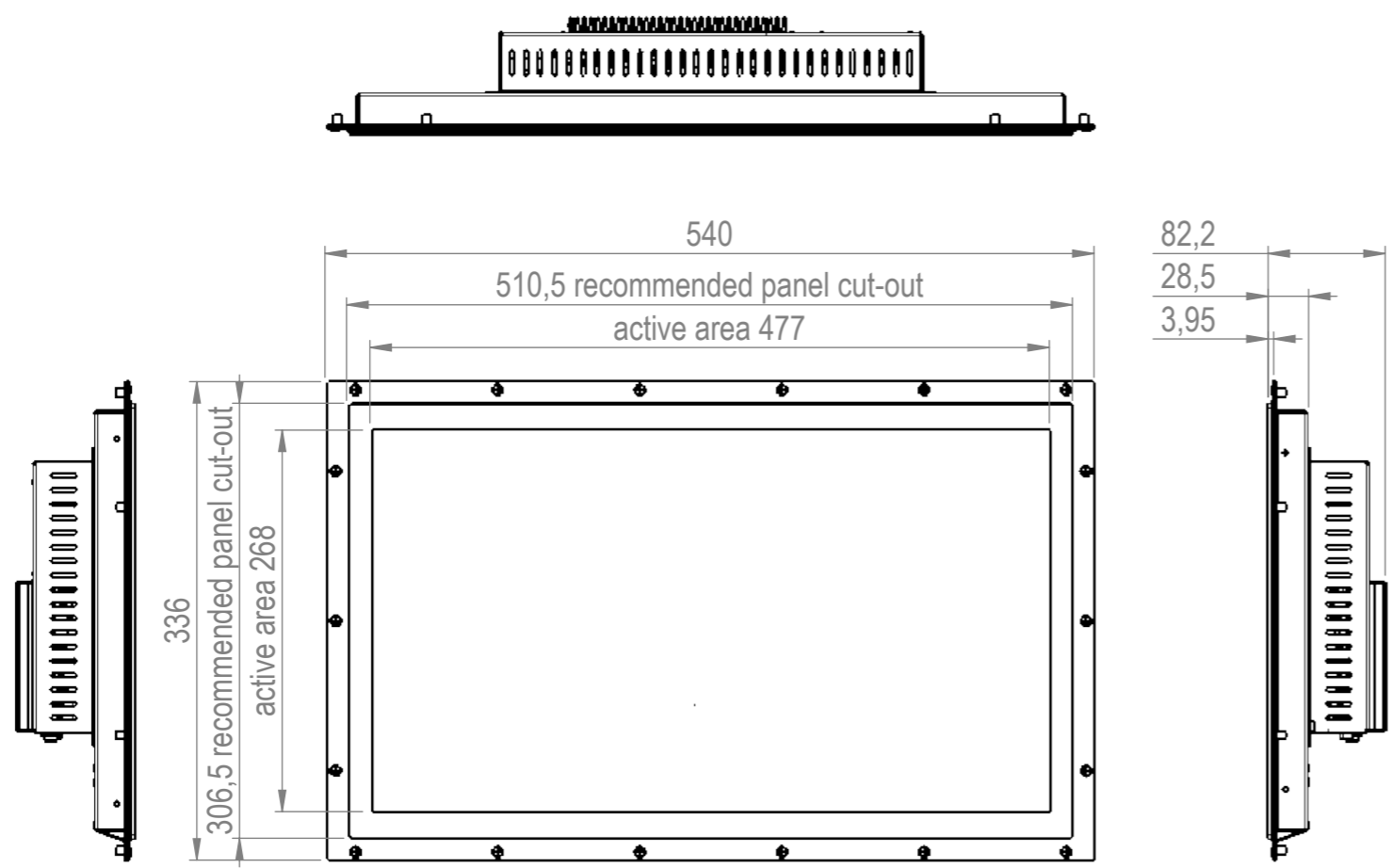


SEE LAST SHEET FOR RECOMMENDED PANEL CUT-OUT AND MOUNTING POSITIONS



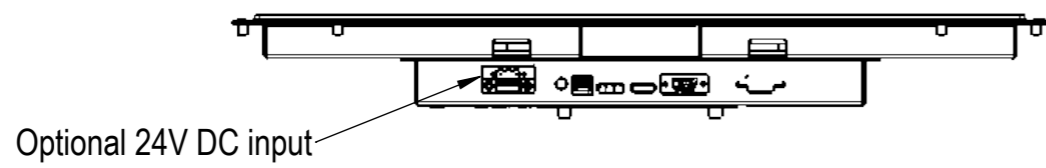
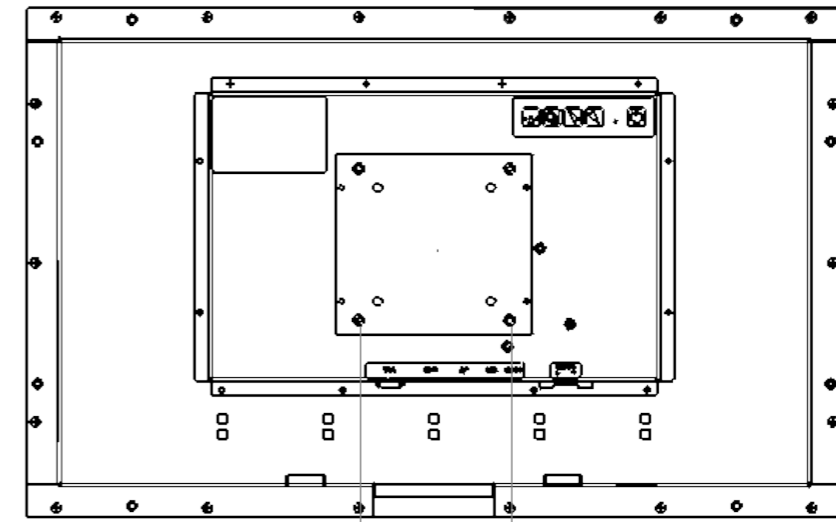
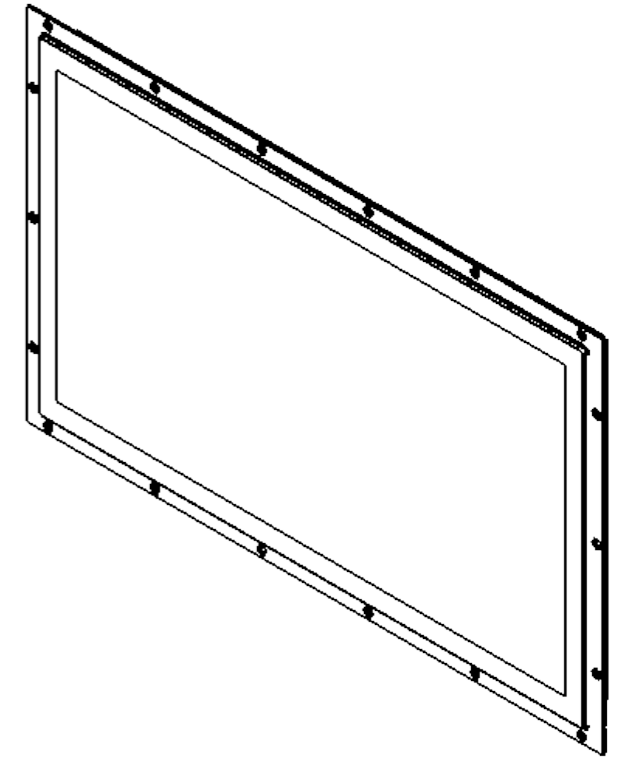
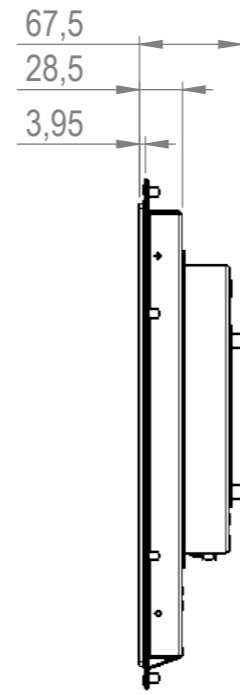
DATE		8-9-2023		DO NOT SCALE DRAWING		DIMENSIONS ARE IN MM	
REV.	DRAWN	AdJ		TFT/Solutions			
1-01	APPROVED	AdJ					
MATERIAL				DESCRIPTION			
				Assembly			
FINISH				PAGE NAME			
				P215-C4, Celeron J6412			
				DWG NO.		A3	
				P215-00			
				SCALE:1:5		SHEET 1 OF 4	

SEE LAST SHEET FOR RECOMMENDED PANEL CUT-OUT AND MOUNTING POSITIONS

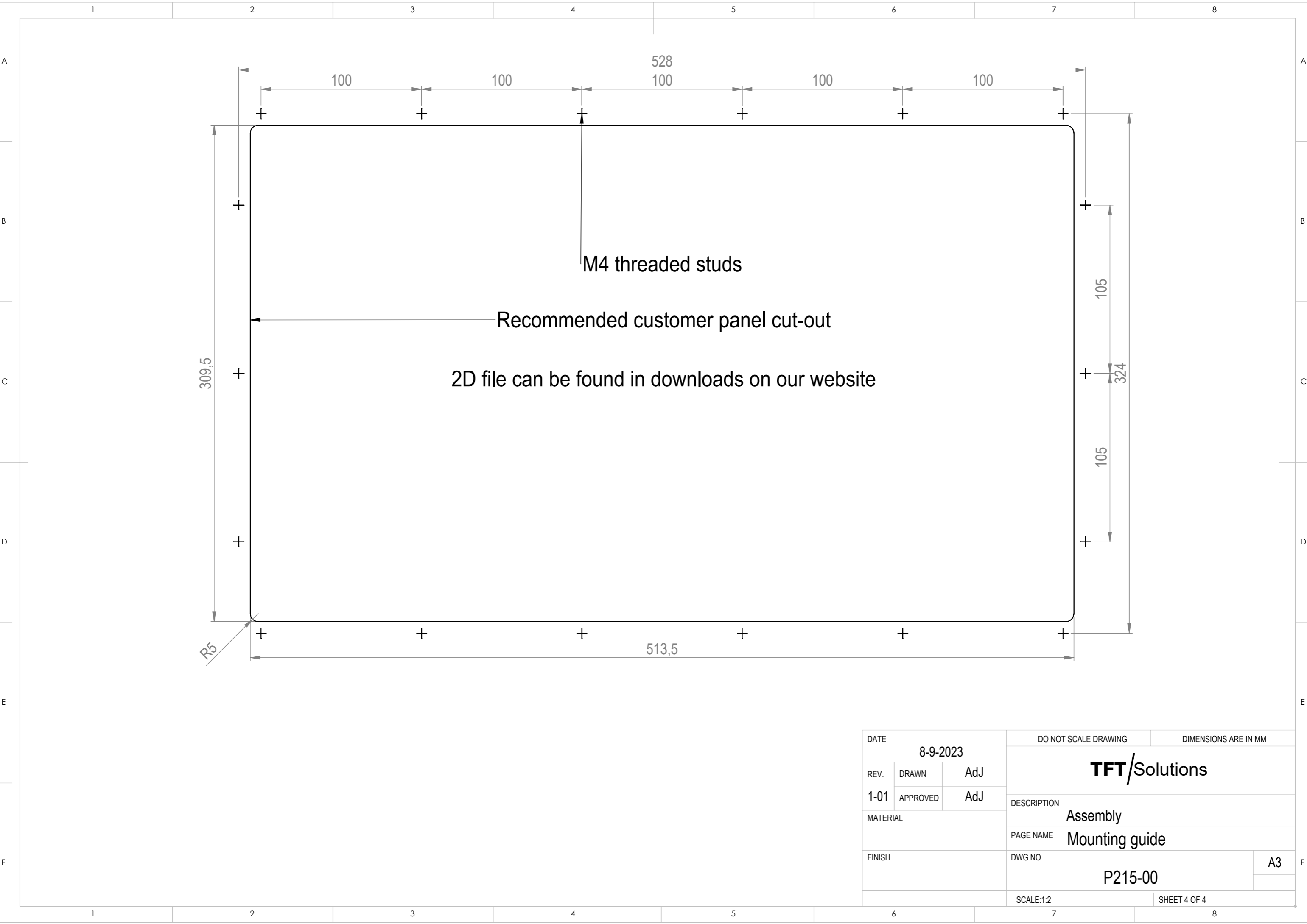


DATE		8-9-2023		DO NOT SCALE DRAWING		DIMENSIONS ARE IN MM	
REV.	DRAWN	AdJ		TFT/Solutions			
1-01	APPROVED	AdJ					
MATERIAL				DESCRIPTION			
				Assembly			
FINISH				PAGE NAME			
				P215-51, i5-8265U			
				DWG NO.		A3	
				P215-00			
				SCALE:1:5		SHEET 2 OF 4	

SEE LAST SHEET FOR RECOMMENDED PANEL CUT-OUT AND MOUNTING POSITIONS



DATE		8-9-2023		DO NOT SCALE DRAWING		DIMENSIONS ARE IN MM	
REV.	DRAWN	AdJ		TFT/Solutions			
1-01	APPROVED	AdJ					
MATERIAL				DESCRIPTION			
				Assembly			
FINISH				PAGE NAME			
				P215-MON			
				DWG NO.			
				P215-00			
				SCALE:1:5		SHEET 3 OF 4	
						A3	



DATE		8-9-2023		DO NOT SCALE DRAWING		DIMENSIONS ARE IN MM	
REV.	DRAWN	AdJ		TFT/Solutions			
1-01	APPROVED	AdJ					
MATERIAL				DESCRIPTION			
				Assembly			
FINISH				PAGE NAME			
				Mounting guide			
				DWG NO.		A3	
				P215-00			
				SCALE:1:2		SHEET 4 OF 4	