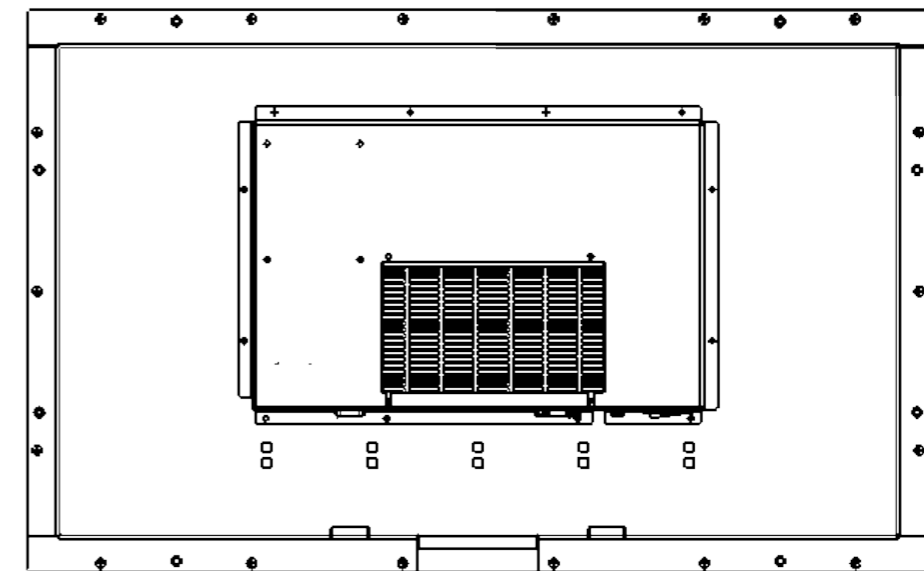
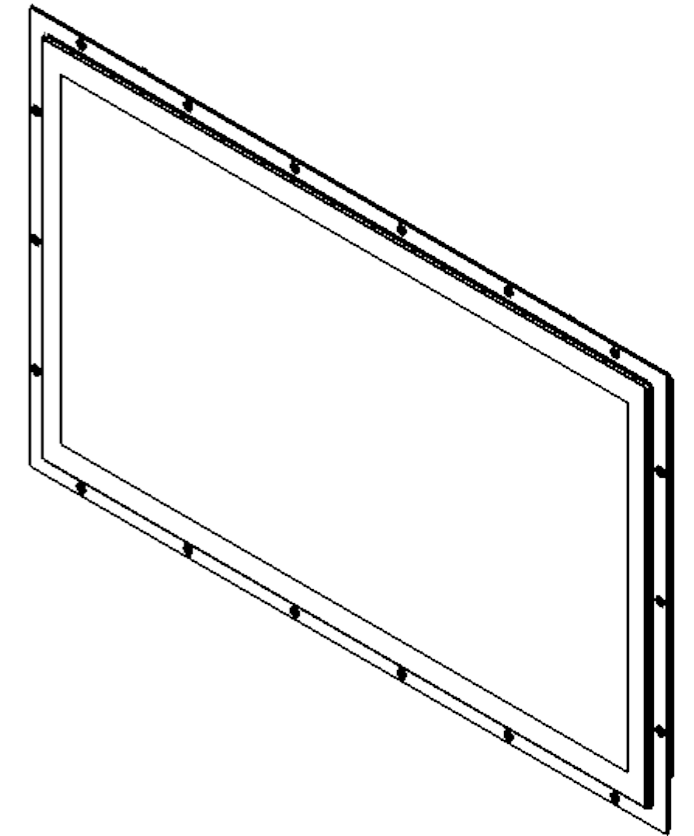
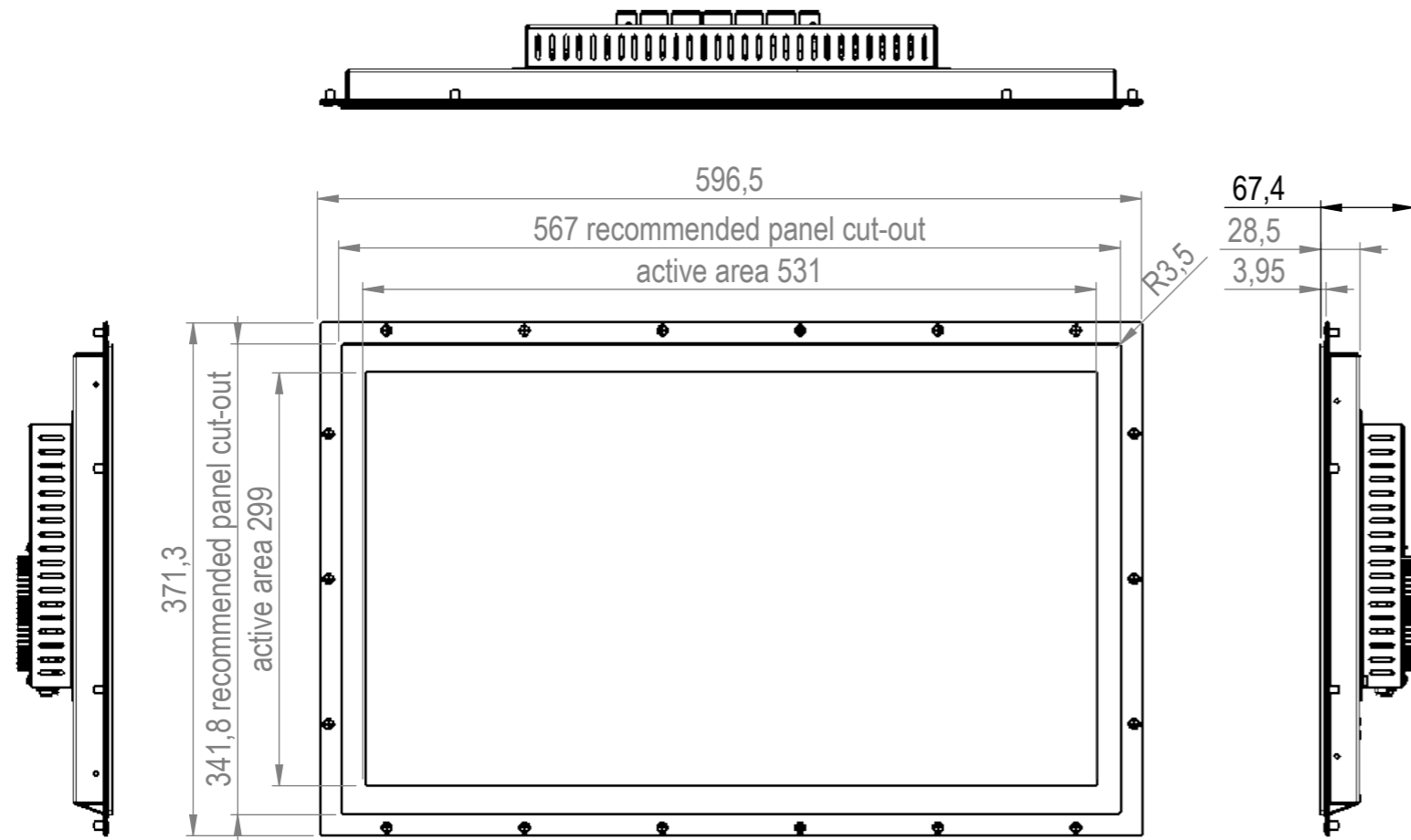


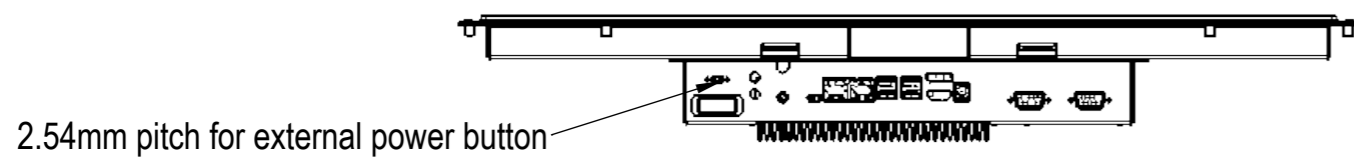
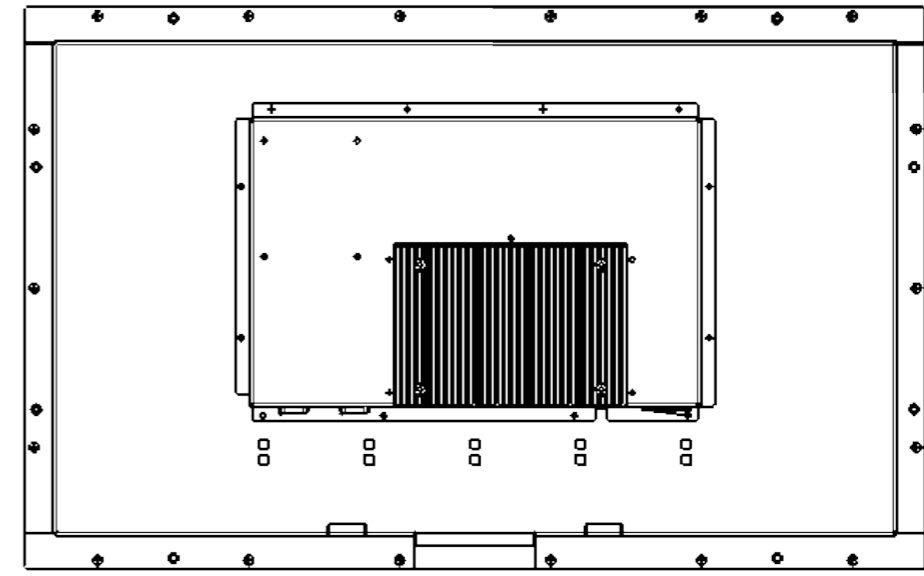
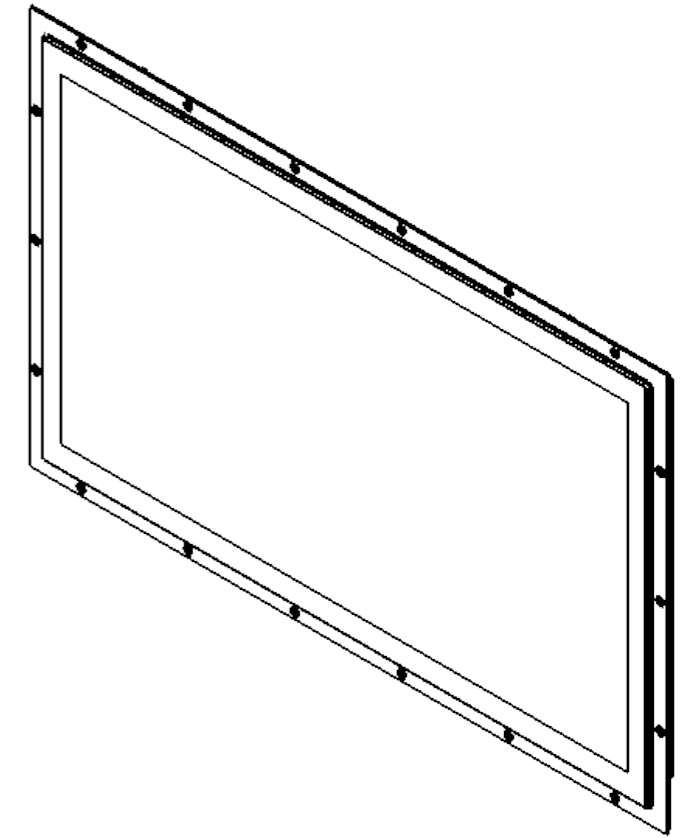
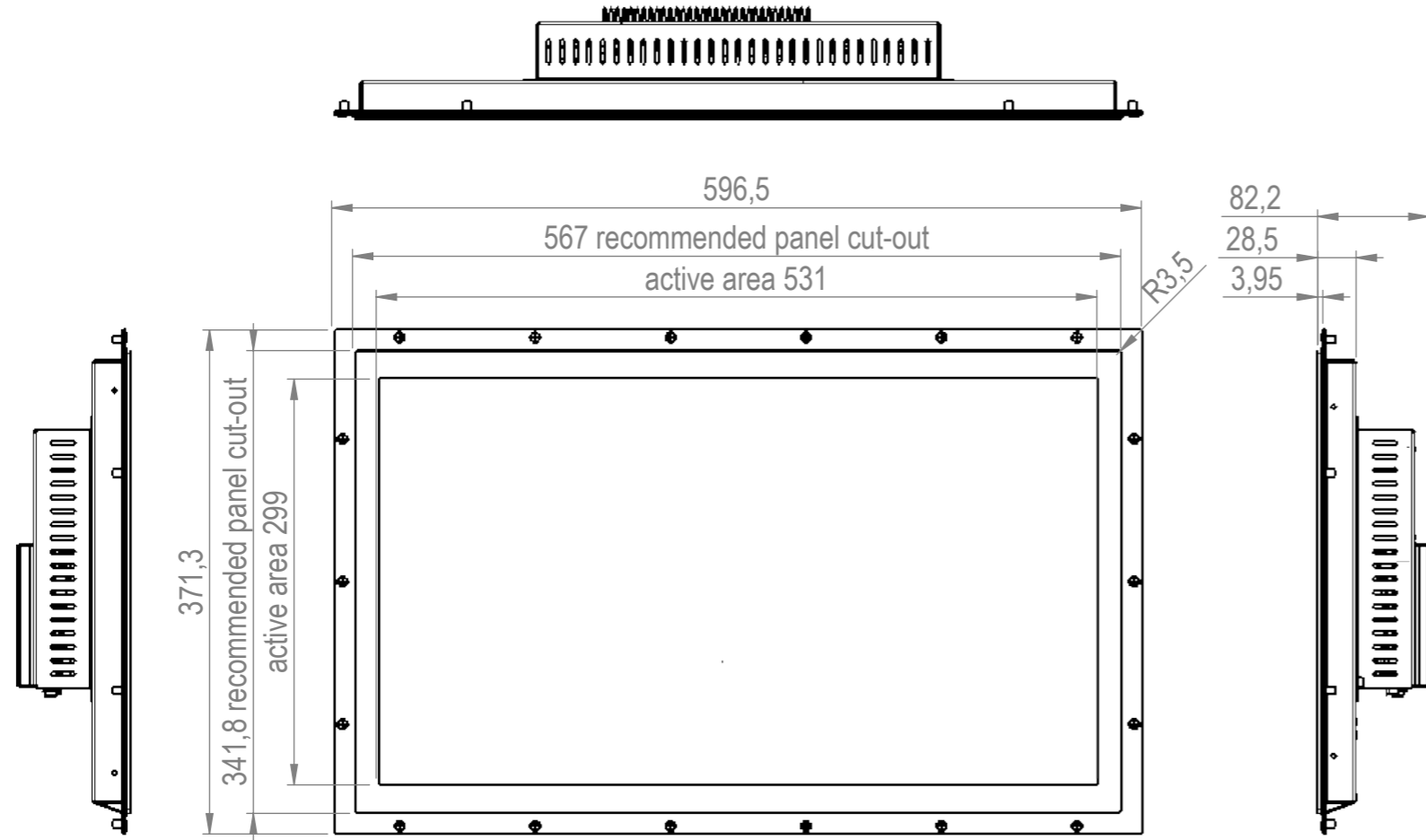
SEE LAST SHEET FOR RECOMMENDED PANEL CUT-OUT AND MOUNTING POSITIONS



2.54mm pitch for external power button

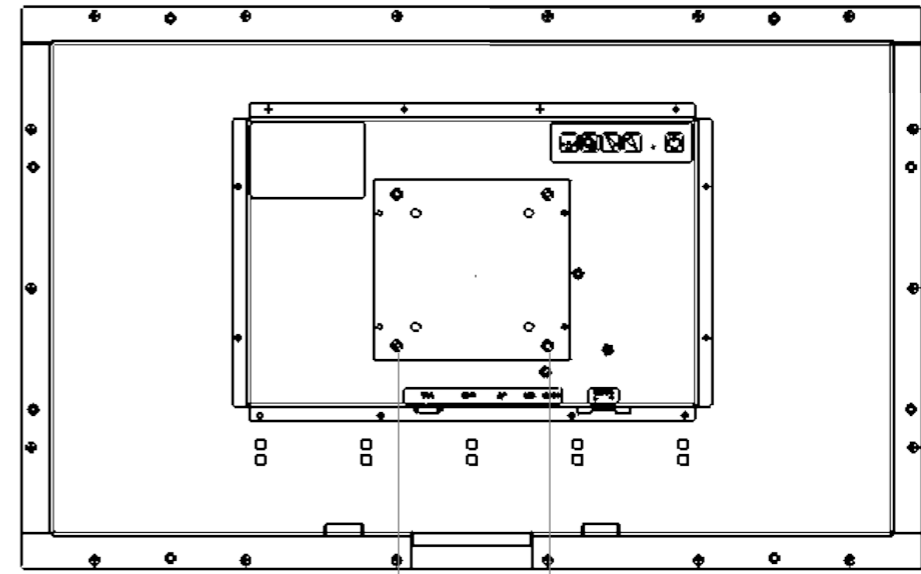
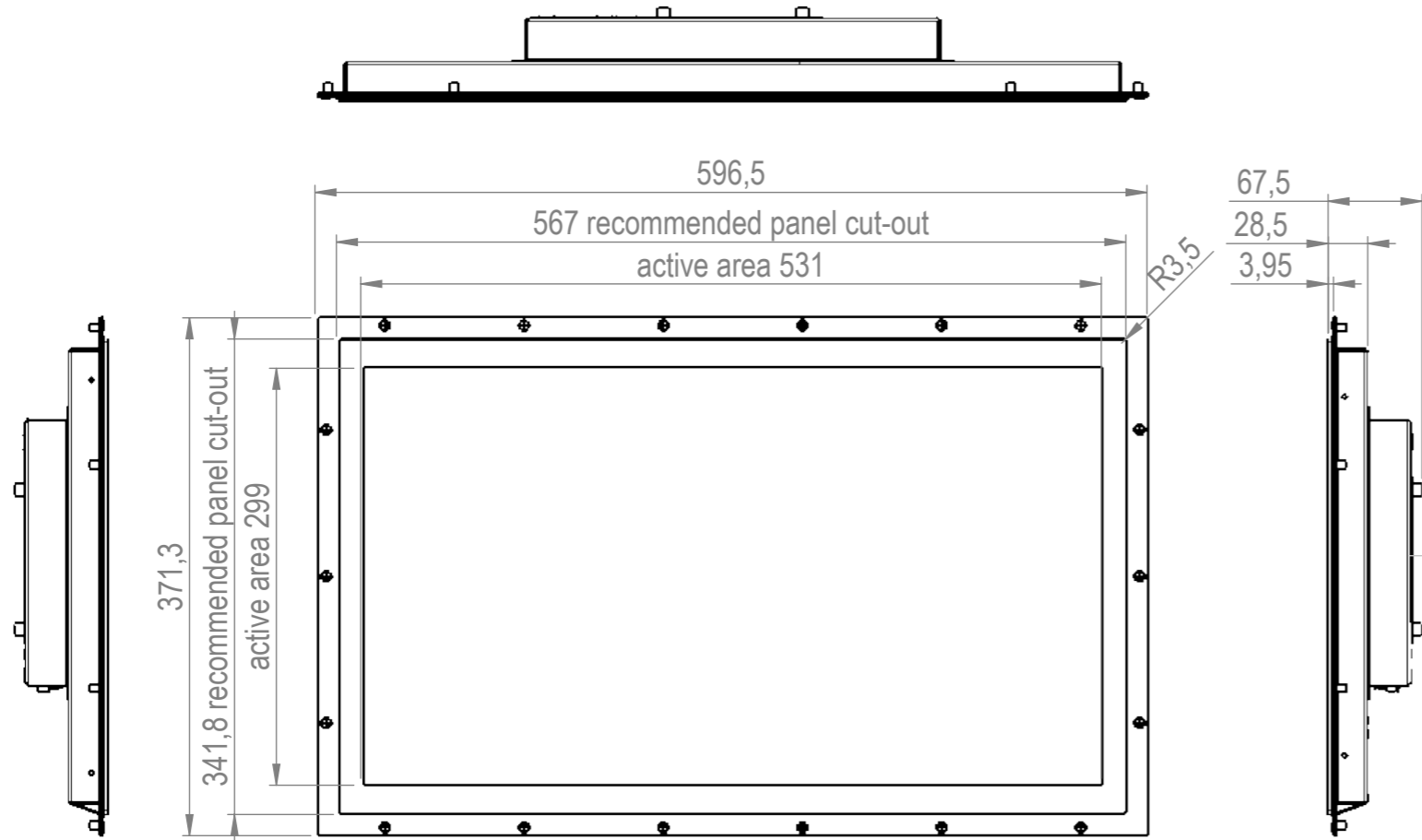
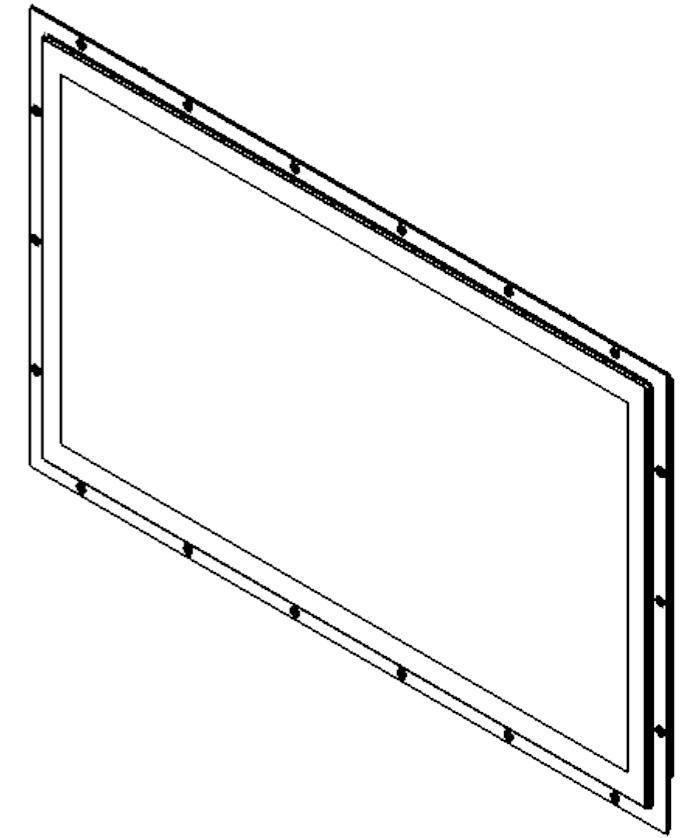
DATE		8-9-2023		DO NOT SCALE DRAWING		DIMENSIONS ARE IN MM	
REV.	DRAWN	AdJ		TFT/Solutions			
1-01	APPROVED	AdJ					
MATERIAL				DESCRIPTION			
				Assembly			
FINISH				PAGE NAME			
				P240-C4, Celeron J6412			
				DWG NO.			A3
				P240-00			
				SCALE:1:5		SHEET 1 OF 4	

SEE LAST SHEET FOR RECOMMENDED PANEL CUT-OUT AND MOUNTING POSITIONS

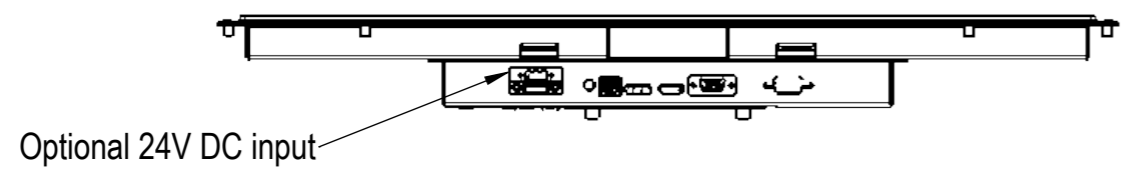


DATE		8-9-2023		DO NOT SCALE DRAWING		DIMENSIONS ARE IN MM	
REV.	DRAWN	AdJ		TFT/Solutions			
1-01	APPROVED	AdJ					
MATERIAL				DESCRIPTION			
				Assembly			
FINISH				PAGE NAME			
				P240-51, i5-8265U			
				DWG NO.		A3	
				P240-00			
				SCALE:1:5		SHEET 2 OF 4	

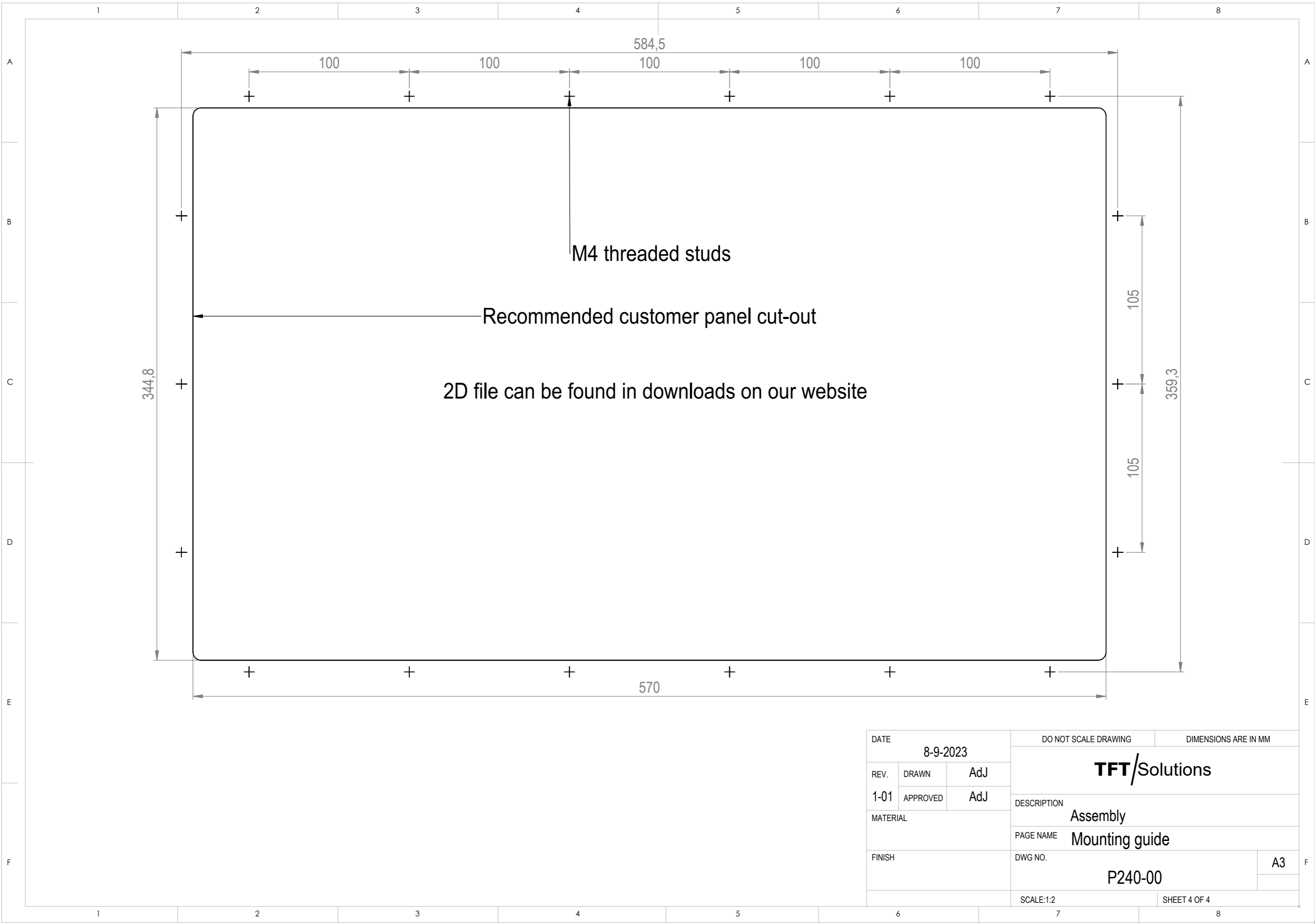
SEE LAST SHEET FOR RECOMMENDED PANEL CUT-OUT AND MOUNTING POSITIONS



Optional, MB00-70 VESA mount □ 100



DATE		8-9-2023		DO NOT SCALE DRAWING		DIMENSIONS ARE IN MM	
REV.	DRAWN	AdJ		TFT/Solutions			
1-01	APPROVED	AdJ					
MATERIAL				DESCRIPTION			
				Assembly			
FINISH				PAGE NAME			
				P240-MON			
				DWG NO.		A3	
				P240-00			
				SCALE:1:5		SHEET 3 OF 4	



M4 threaded studs

Recommended customer panel cut-out

2D file can be found in downloads on our website

DATE		8-9-2023		DO NOT SCALE DRAWING		DIMENSIONS ARE IN MM	
REV.	DRAWN	AdJ		TFT/Solutions			
1-01	APPROVED	AdJ					
MATERIAL				DESCRIPTION Assembly			
FINISH				PAGE NAME Mounting guide			
				DWG NO. P240-00			A3
SCALE:1:2						SHEET 4 OF 4	