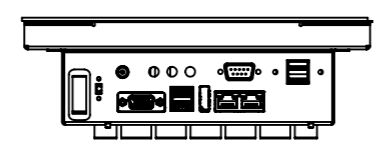
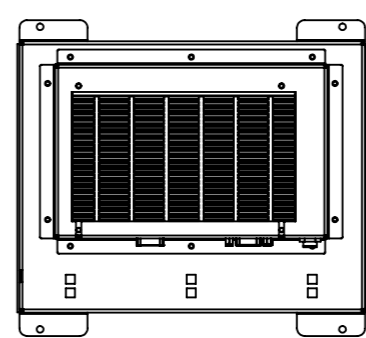
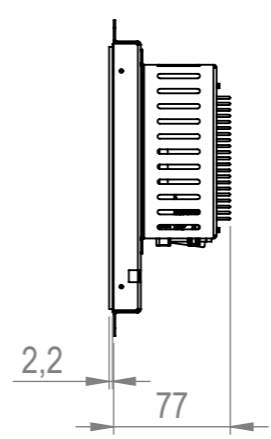
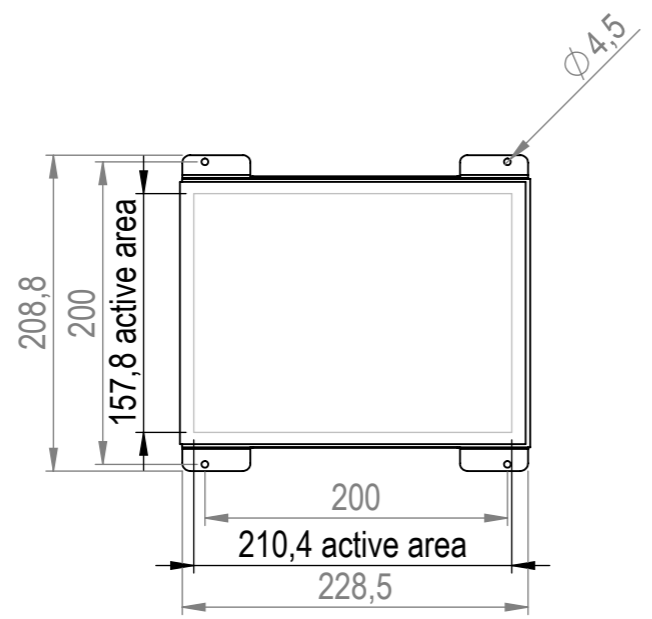
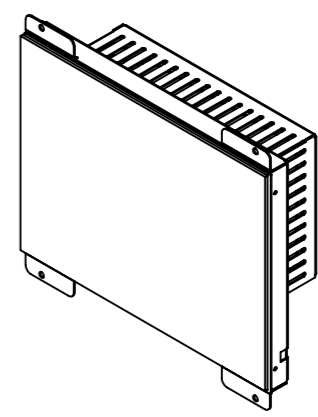
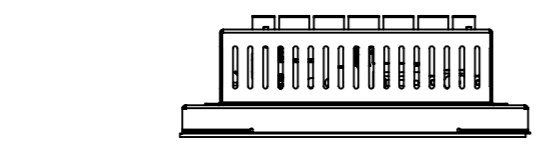
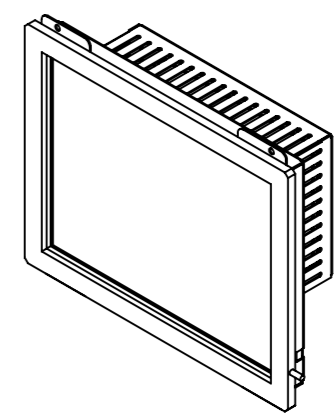
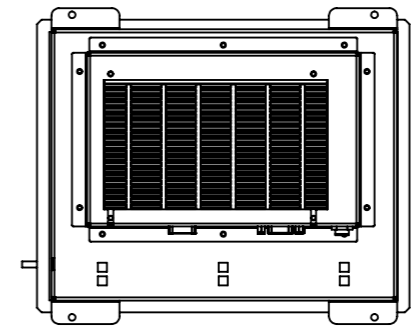
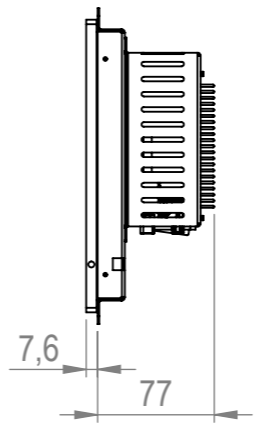
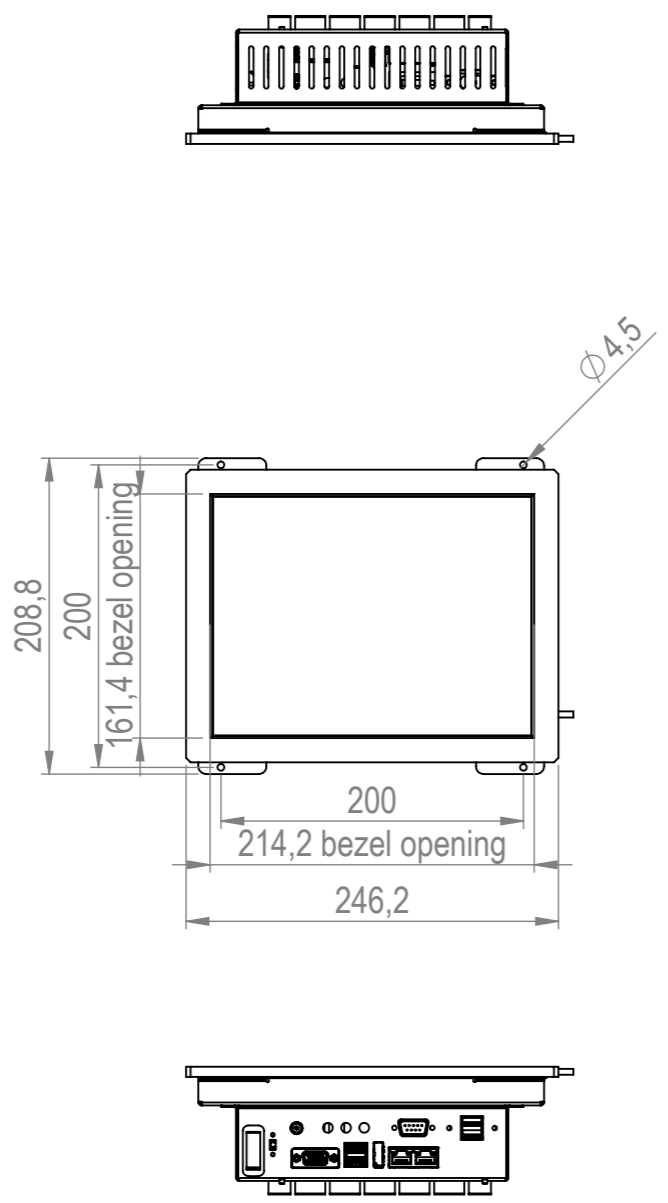


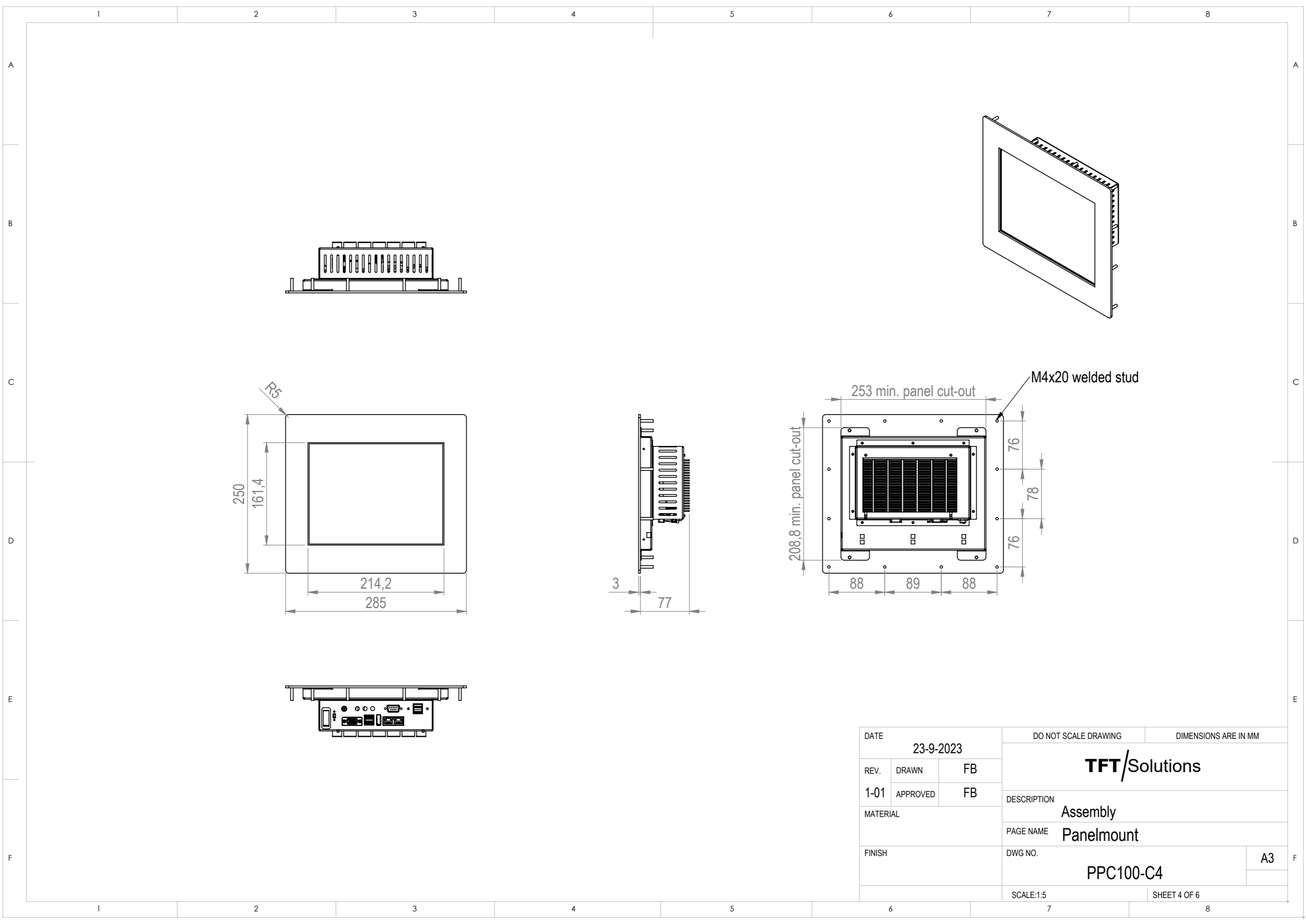
DATE		23-9-2023		DO NOT SCALE DRAWING		DIMENSIONS ARE IN MM	
REV.	DRAWN	FB		<b>TFT/Solutions</b>			
1-01	APPROVED	FB					
MATERIAL				DESCRIPTION Assembly			
FINISH				PAGE NAME Openframe			
				DWG NO. PPC100-C4			
				SCALE:1:5		SHEET 1 OF 6	
						A3	



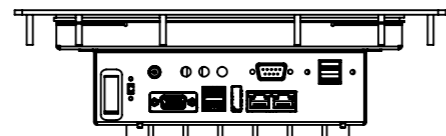
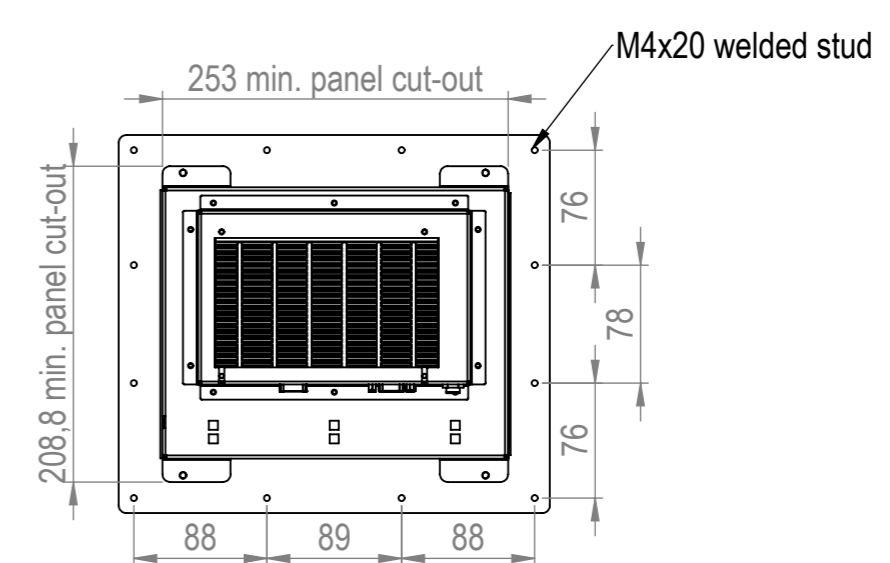
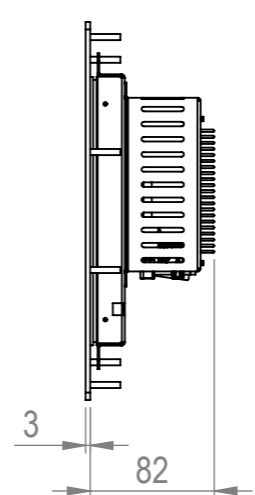
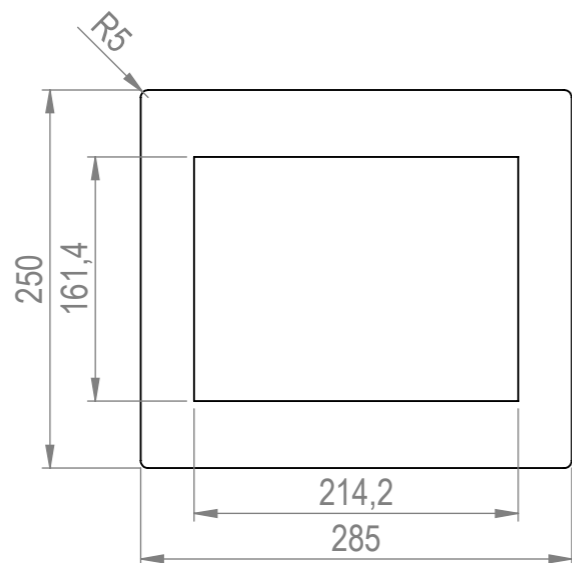
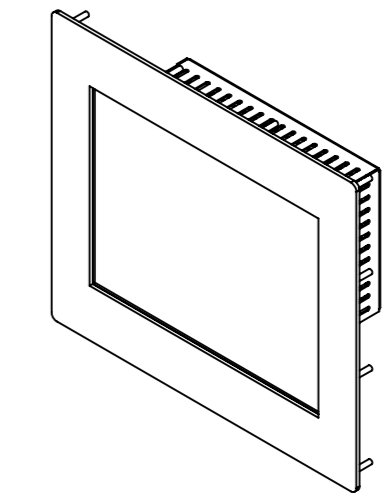
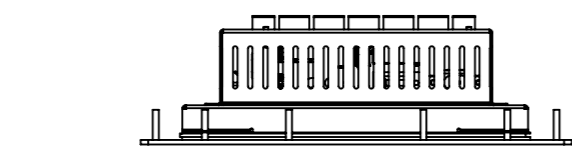
DATE		23-9-2023		DO NOT SCALE DRAWING		DIMENSIONS ARE IN MM	
REV.	DRAWN	FB		<b>TFT/Solutions</b>			
1-01	APPROVED	FB					
MATERIAL				DESCRIPTION			
				Assembly			
FINISH				PAGE NAME			
				Resistive openframe			
				DWG NO.		A3	
				PPC100-C4-RU			
				SCALE:1:5		SHEET 2 OF 6	



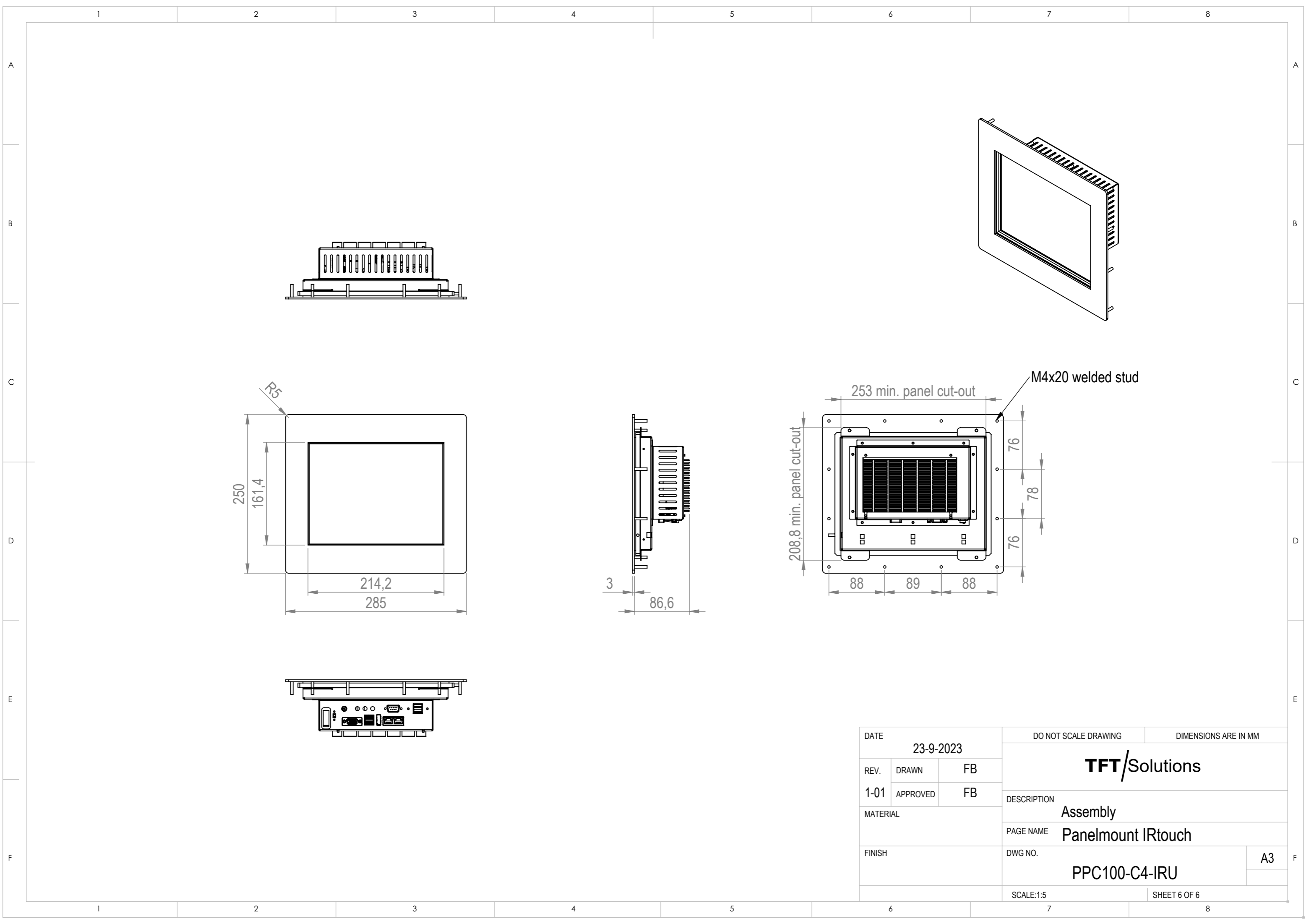
DATE		23-9-2023		DO NOT SCALE DRAWING		DIMENSIONS ARE IN MM	
REV.	DRAWN	FB		<b>TFT/Solutions</b>			
1-01	APPROVED	FB					
MATERIAL				DESCRIPTION Assembly			
FINISH				PAGE NAME IRtouch openframe			
				DWG NO. PPC100-C4-IRU			A3
				SCALE:1:5		SHEET 3 OF 6	



DATE		23-9-2023		DO NOT SCALE DRAWING		DIMENSIONS ARE IN MM	
REV.	DRAWN	FB		<b>TFT/Solutions</b>			
1-01	APPROVED	FB					
MATERIAL				DESCRIPTION Assembly			
FINISH				PAGE NAME Panelmount			
				DWG NO. PPC100-C4			
				SCALE:1:5		SHEET 4 OF 6	
						A3	



DATE		23-9-2023		DO NOT SCALE DRAWING		DIMENSIONS ARE IN MM	
REV.	DRAWN	FB		<b>TFT/Solutions</b>			
1-01	APPROVED	FB					
MATERIAL				DESCRIPTION Assembly			
FINISH				PAGE NAME Panelmount resistive			
				DWG NO. PPC100-C4-RU			
				SCALE:1:5		SHEET 5 OF 6	
						A3	



DATE		23-9-2023		DO NOT SCALE DRAWING		DIMENSIONS ARE IN MM	
REV.	DRAWN	FB		<b>TFT/Solutions</b>			
1-01	APPROVED	FB					
MATERIAL				DESCRIPTION			
				Assembly			
FINISH				PAGE NAME			
				Panelmount IRtouch			
				DWG NO.			A3
				PPC100-C4-IRU			
				SCALE:1:5		SHEET 6 OF 6	