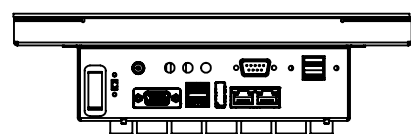
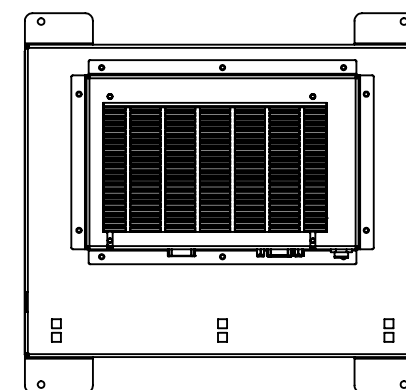
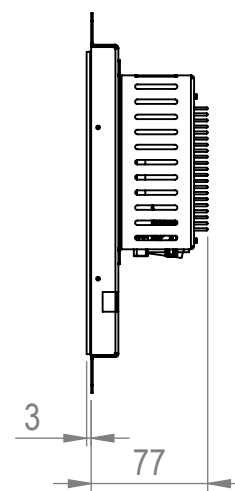
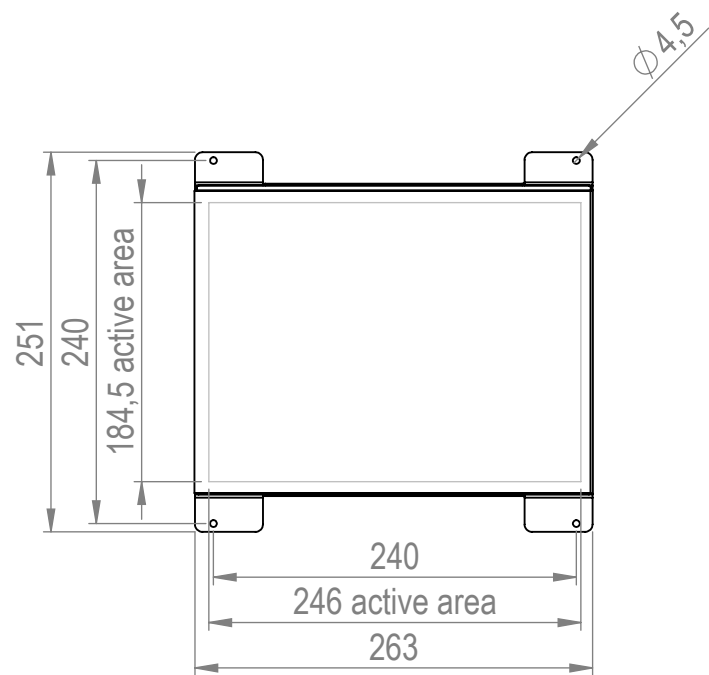
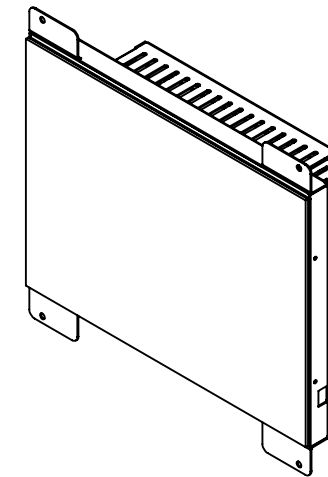
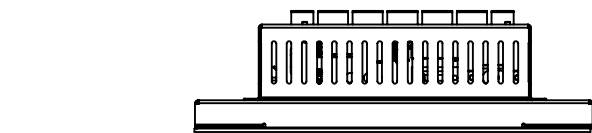
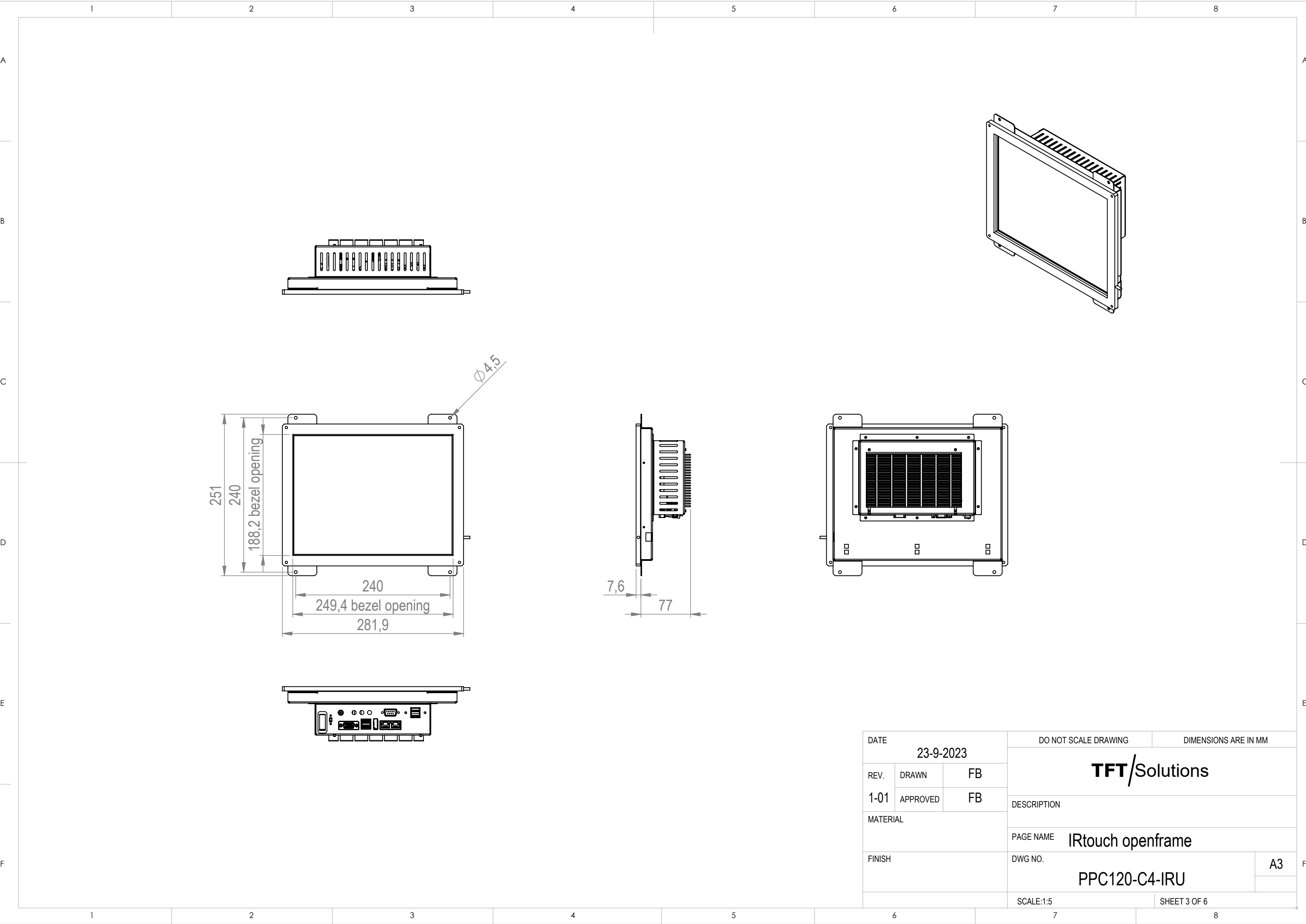


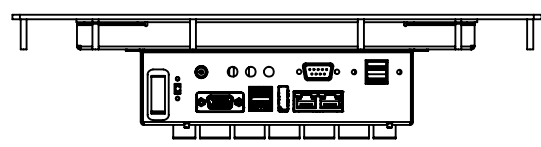
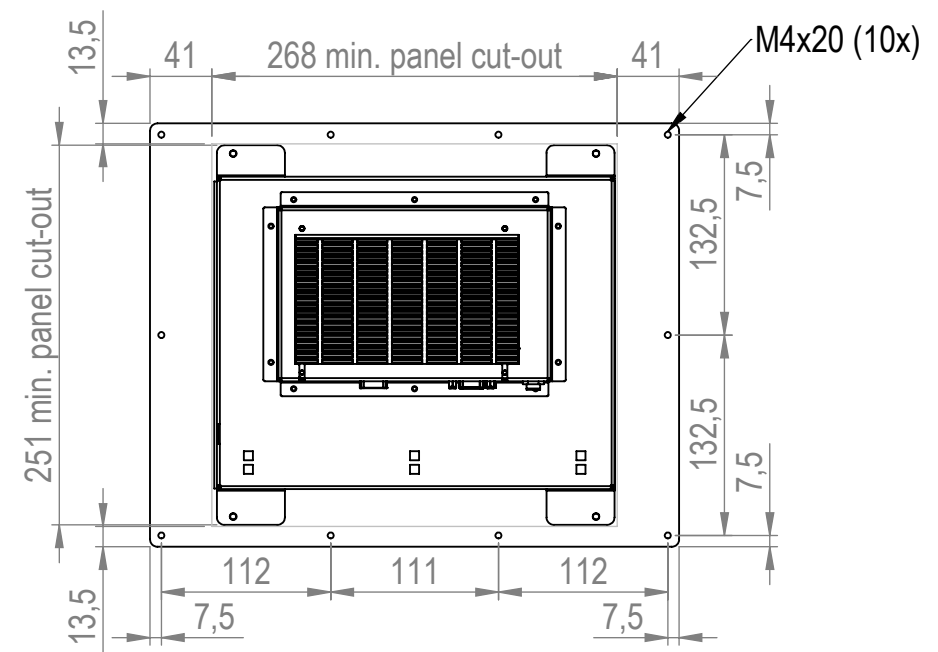
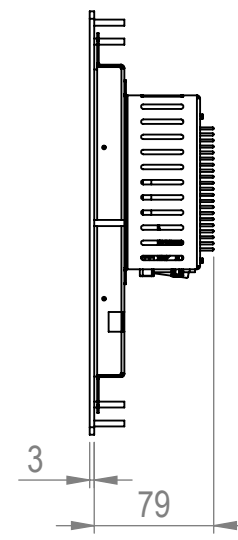
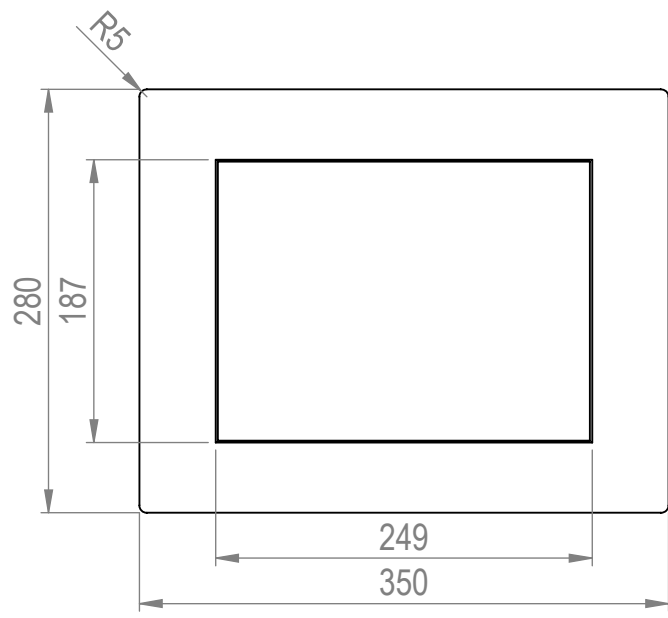
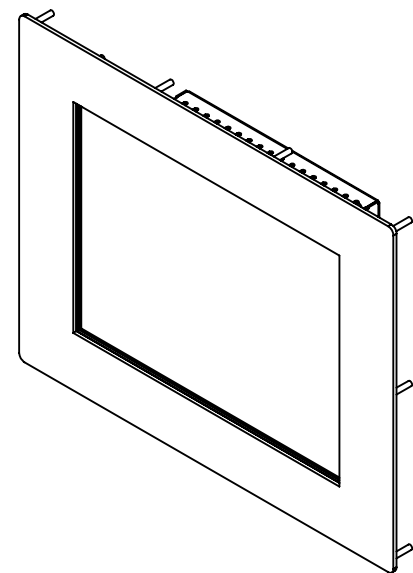
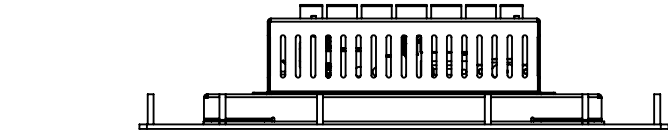
DATE		23-9-2023		DO NOT SCALE DRAWING		DIMENSIONS ARE IN MM	
REV.	DRAWN	FB		TFT/Solutions			
1-01	APPROVED	FB					
MATERIAL				DESCRIPTION			
FINISH				PAGE NAME			Openframe
				DWG NO.			PPC120-C4
				SCALE:1:5		SHEET 1 OF 6	
						A3	



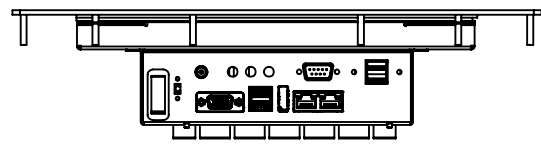
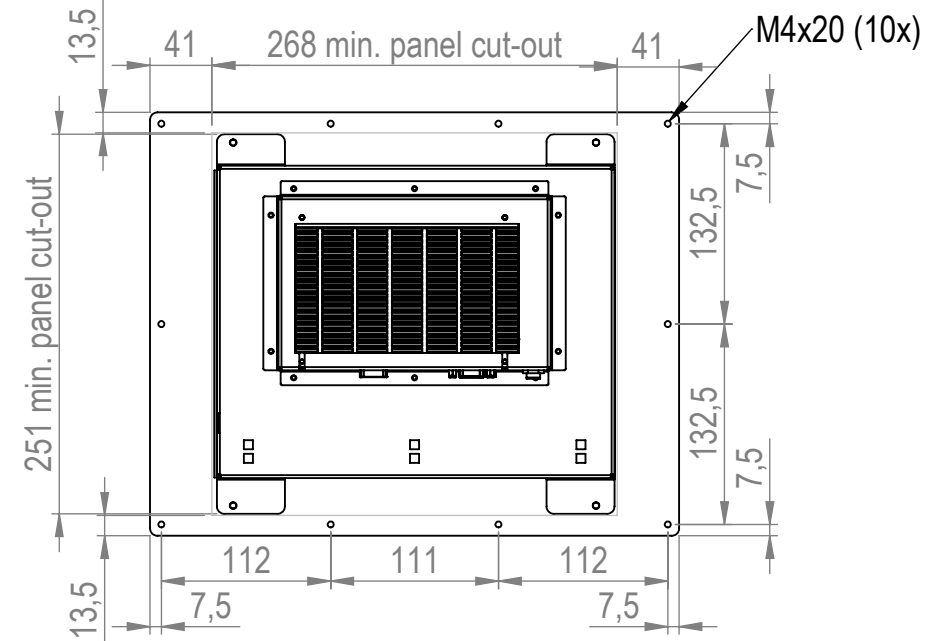
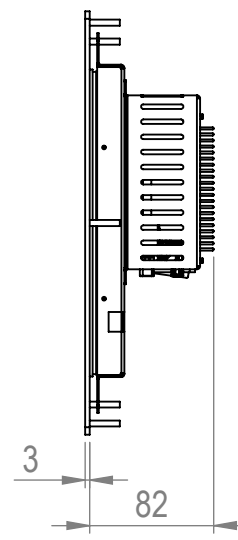
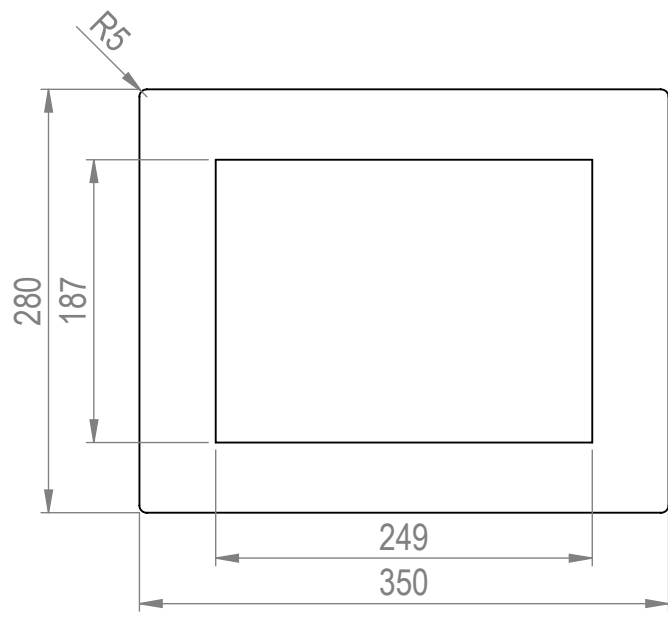
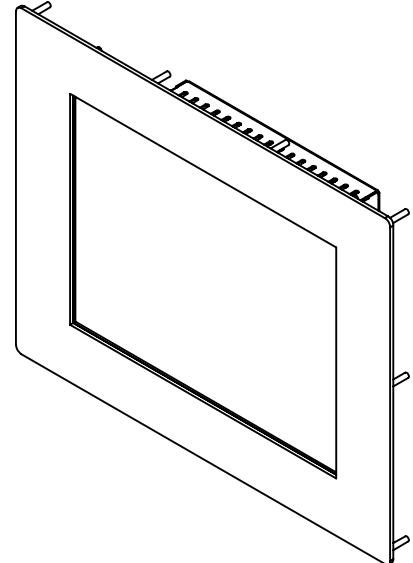
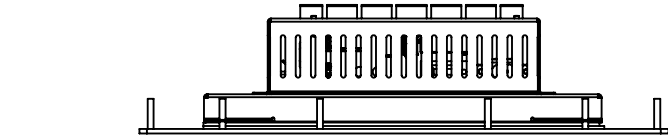
DATE		23-9-2023		DO NOT SCALE DRAWING		DIMENSIONS ARE IN MM	
REV.	DRAWN	FB		TFT/Solutions			
1-01	APPROVED	FB					
MATERIAL				DESCRIPTION			
FINISH				PAGE NAME			Resistive openframe
				DWG NO.			PPC120-C4-RU
				SCALE:1:5		SHEET 2 OF 6	
						A3	



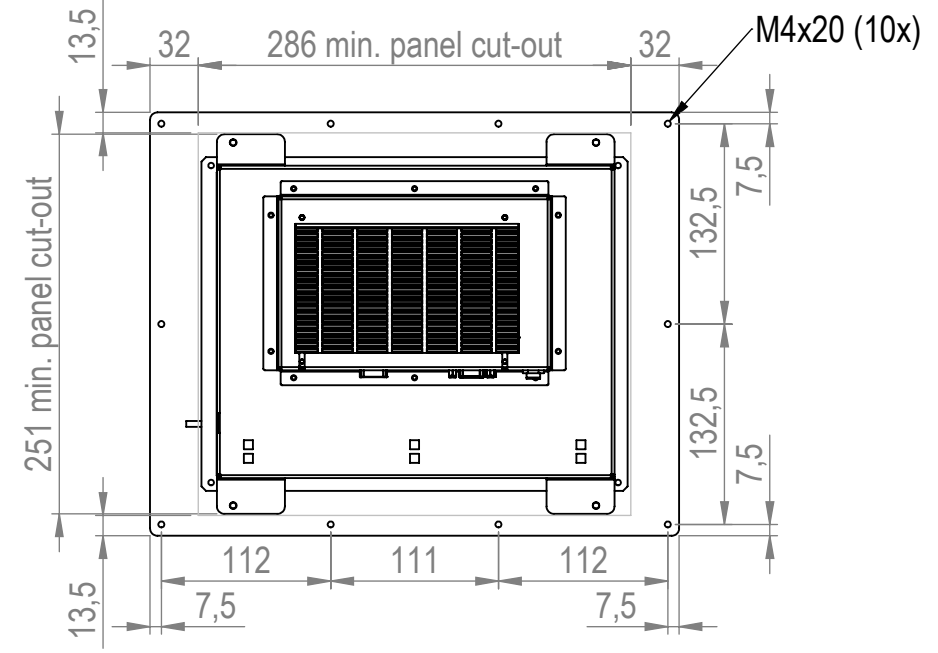
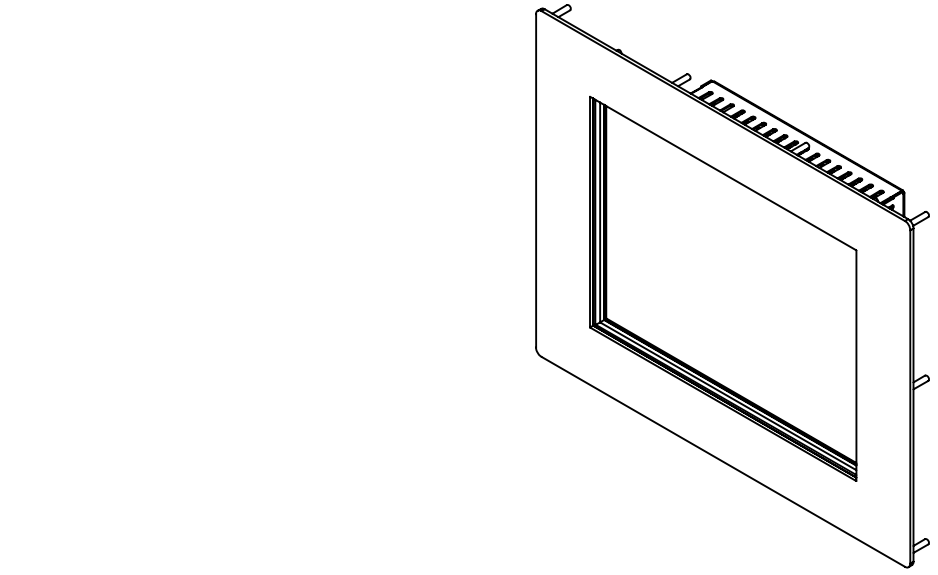
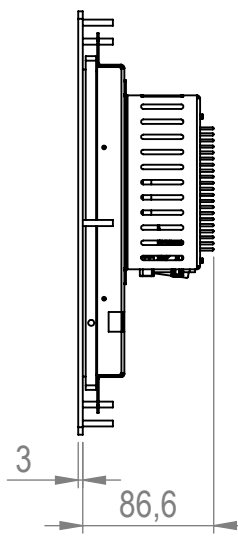
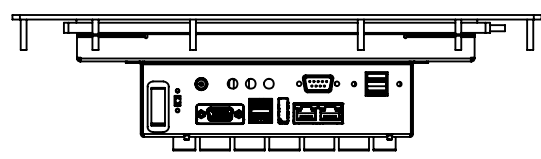
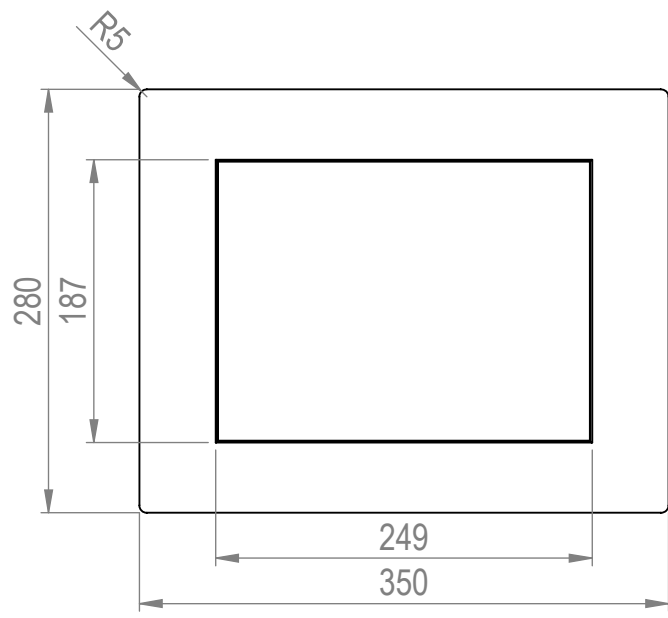
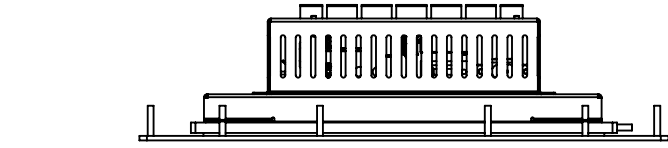
DATE		23-9-2023		DO NOT SCALE DRAWING		DIMENSIONS ARE IN MM	
REV.	DRAWN	FB		TFT/Solutions			
1-01	APPROVED	FB					
MATERIAL				DESCRIPTION			
FINISH				PAGE NAME			IRtouch openframe
				DWG NO.			PPC120-C4-IRU
				SCALE:1:5		SHEET 3 OF 6	
						A3	



DATE		23-9-2023		DO NOT SCALE DRAWING		DIMENSIONS ARE IN MM	
REV.	DRAWN	FB		TFT/Solutions			
1-01	APPROVED	FB					
MATERIAL				DESCRIPTION			
FINISH				PAGE NAME			A3
				Panelmount			
				DWG NO.			PPC120-C4
				SCALE:1:5		SHEET 4 OF 6	



DATE		23-9-2023		DO NOT SCALE DRAWING		DIMENSIONS ARE IN MM	
REV.	DRAWN	FB		TFT/Solutions			
1-01	APPROVED	FB					
MATERIAL				DESCRIPTION			
FINISH				PAGE NAME			A3
				Panelmount resistive			
				DWG NO.			
				PPC120-C4-RU			
				SCALE:1:5		SHEET 5 OF 6	



DATE		23-9-2023		DO NOT SCALE DRAWING		DIMENSIONS ARE IN MM	
REV.	DRAWN	FB		TFT/Solutions			
1-01	APPROVED	FB					
MATERIAL				DESCRIPTION			
FINISH				PAGE NAME			A3
				Panelmount IRtouch			
				DWG NO.			PPC120-C4-IRU
				SCALE:1:5		SHEET 6 OF 6	