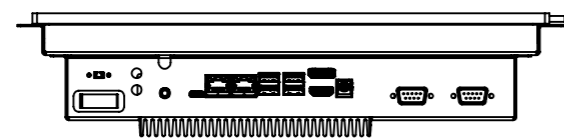
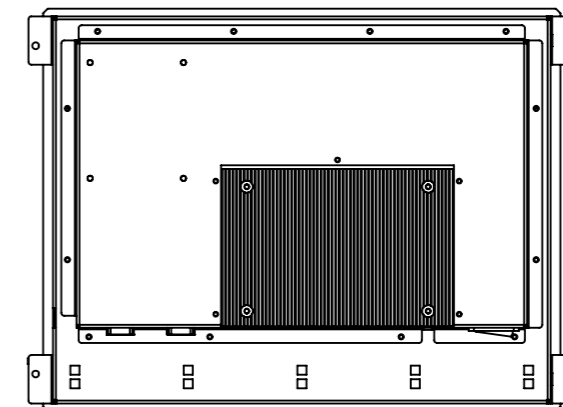
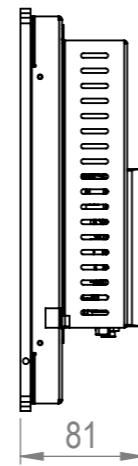
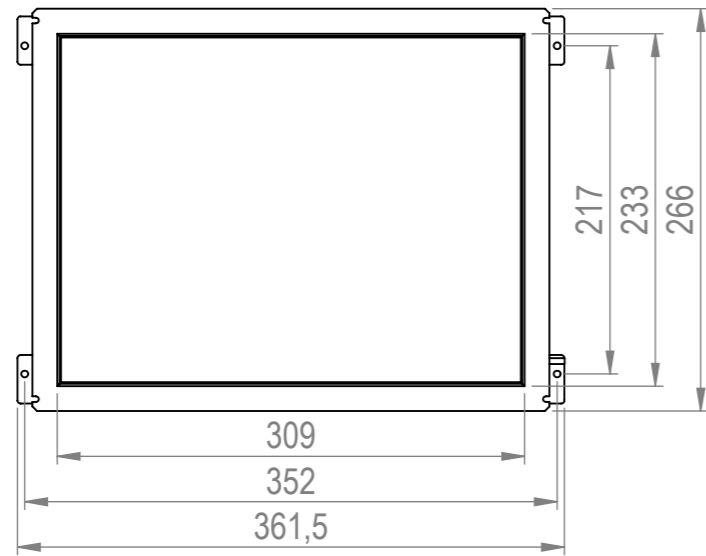
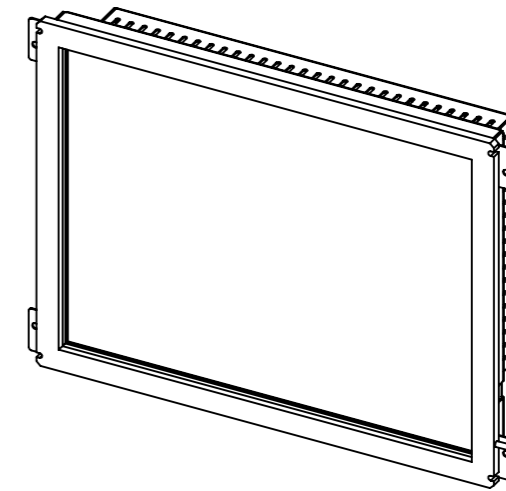
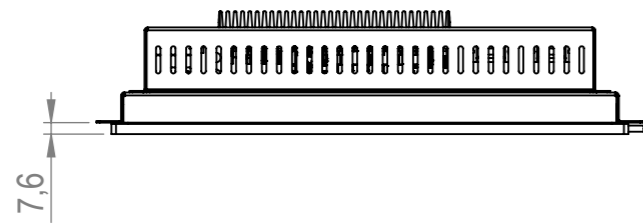
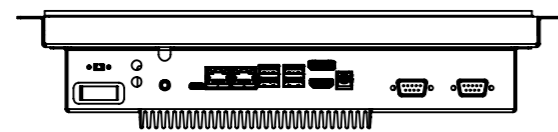
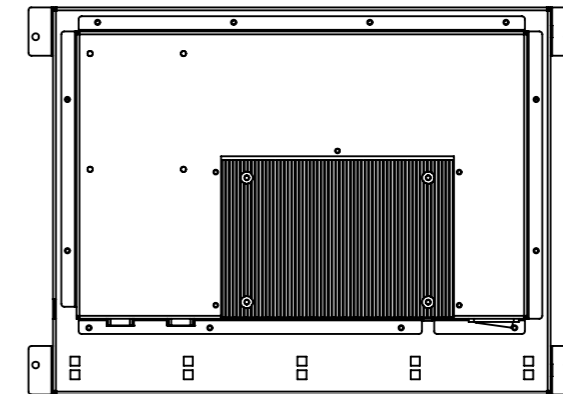
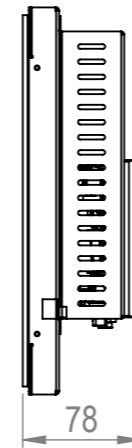
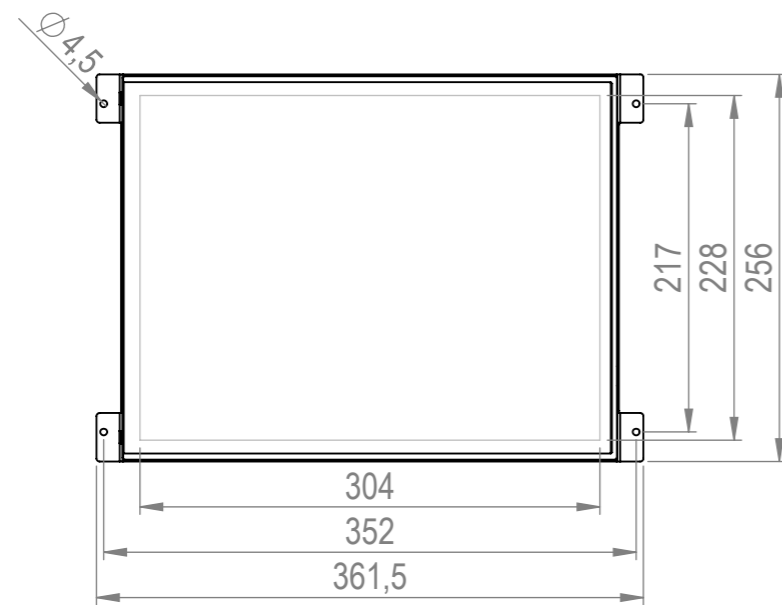
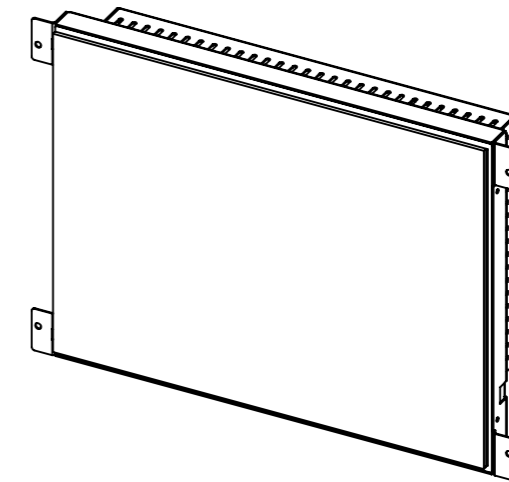
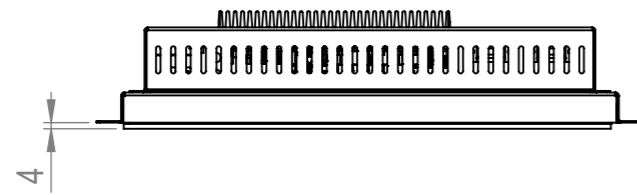


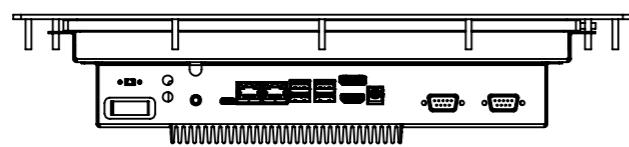
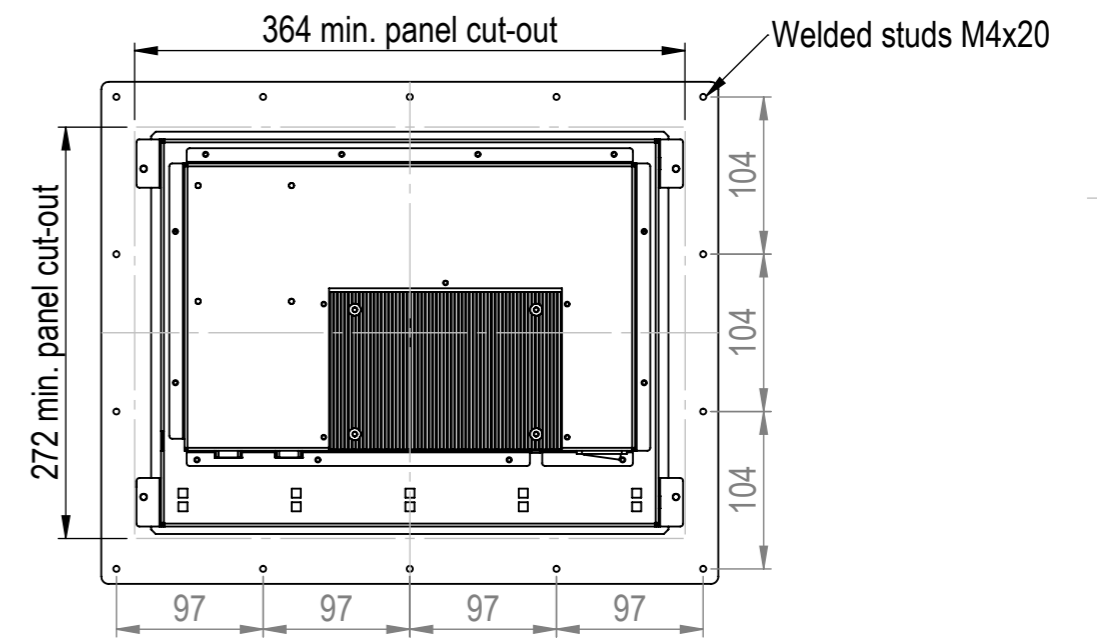
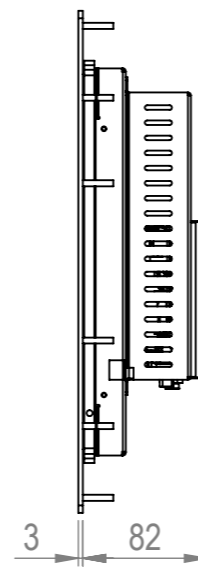
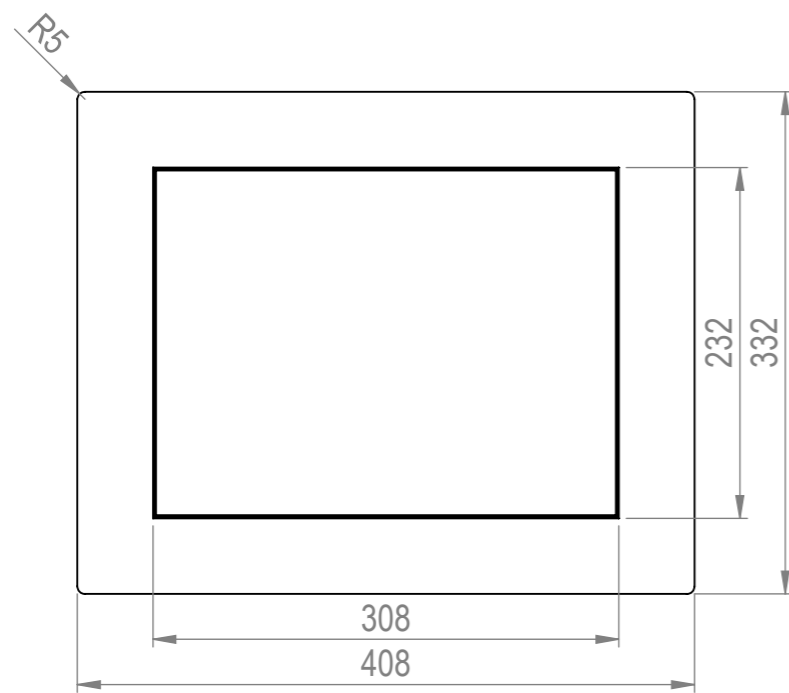
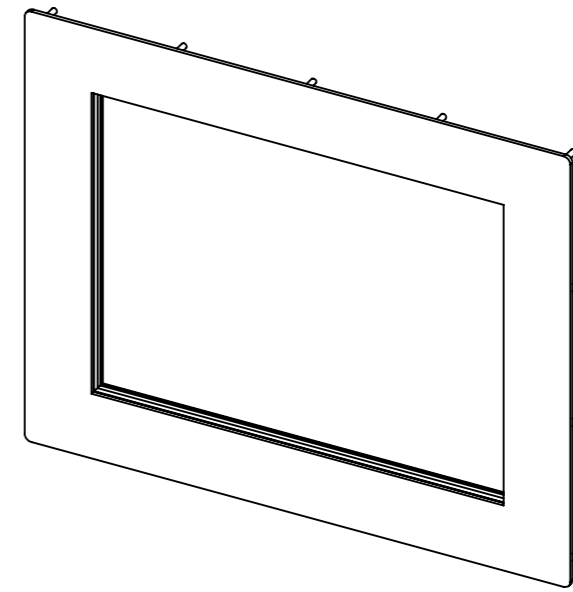
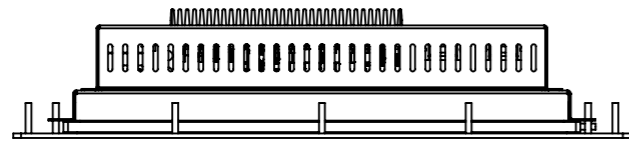
DATE		26-9-2023		DO NOT SCALE DRAWING		DIMENSIONS ARE IN MM	
REV.	DRAWN	FB		TFT/Solutions			
1	APPROVED	FB					
MATERIAL				DESCRIPTION Assembly			
FINISH				PAGE NAME Openframe			A3
				DWG NO. PPC150-51		SHEET 1 OF 5	
				SCALE:1:5			



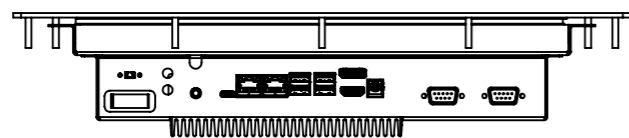
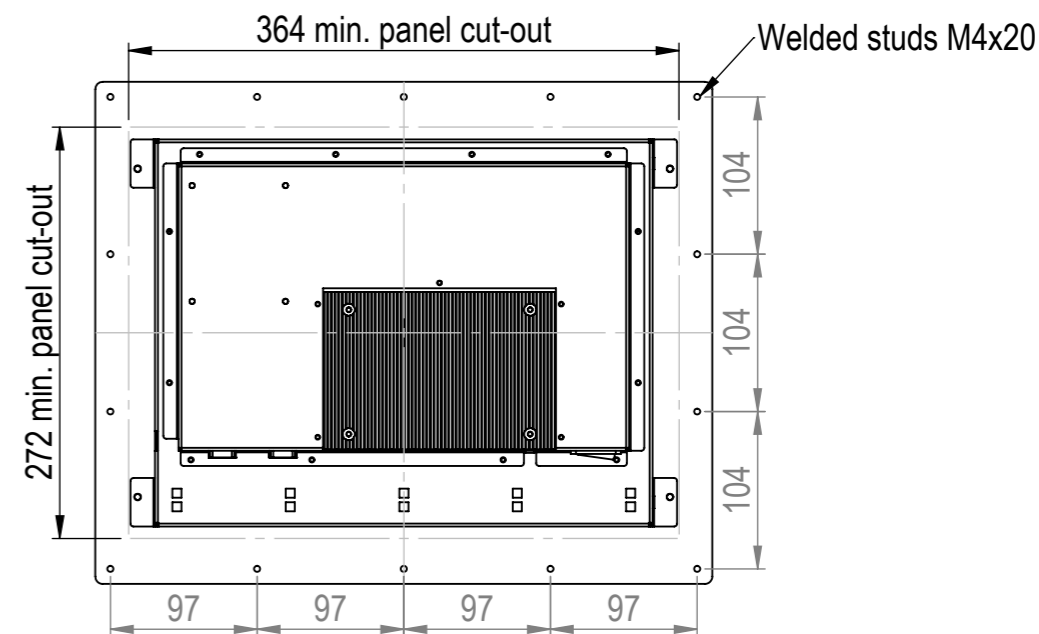
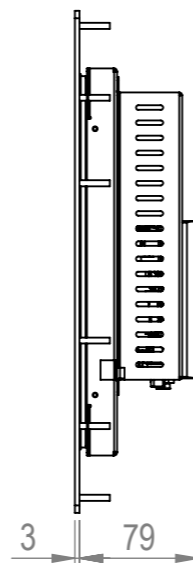
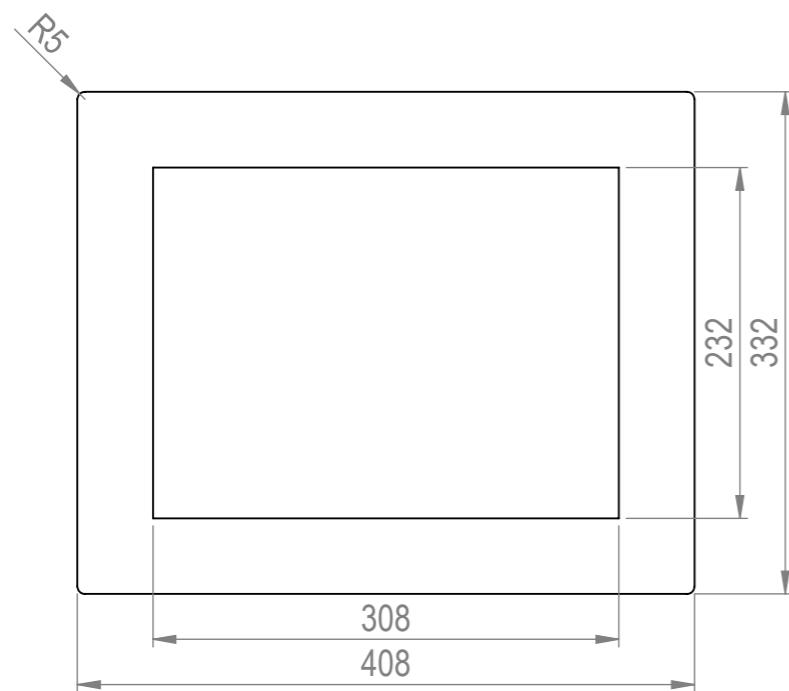
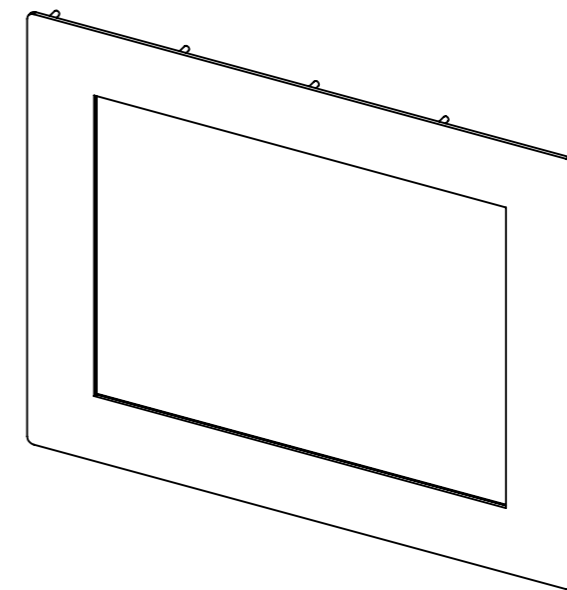
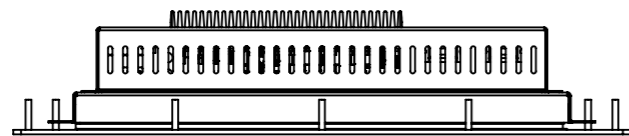
DATE		26-9-2023		DO NOT SCALE DRAWING		DIMENSIONS ARE IN MM	
REV.	DRAWN	FB		TFT/Solutions			
1	APPROVED	FB					
MATERIAL				DESCRIPTION Assembly			
FINISH				PAGE NAME IRtouch openframe			
				DWG NO. PPC150-51-IRU			A3
				SCALE:1:5		SHEET 2 OF 5	



DATE		26-9-2023		DO NOT SCALE DRAWING		DIMENSIONS ARE IN MM	
REV.	DRAWN	FB		TFT/Solutions			
1	APPROVED	FB					
MATERIAL				DESCRIPTION Assembly			
FINISH				PAGE NAME Resistive touch openframe			
				DWG NO. PPC150-51-RU		A3	
				SCALE:1:5		SHEET 3 OF 5	



DATE		26-9-2023		DO NOT SCALE DRAWING		DIMENSIONS ARE IN MM	
REV.	DRAWN	FB		TFT/Solutions			
1	APPROVED	FB					
MATERIAL				DESCRIPTION Assembly			
FINISH				PAGE NAME IRtouch panelmount			
				DWG NO. PPC150-51-IRU			
				SCALE:1:5		SHEET 4 OF 5	
						A3	



DATE		26-9-2023		DO NOT SCALE DRAWING		DIMENSIONS ARE IN MM	
REV.	DRAWN	FB		TFT/Solutions			
1	APPROVED	FB					
MATERIAL				DESCRIPTION			
				Assembly			
FINISH				PAGE NAME			
				Resistive touch panelmount			
				DWG NO.		A3	
				PPC150-51-RU			
				SCALE:1:5		SHEET 5 OF 5	