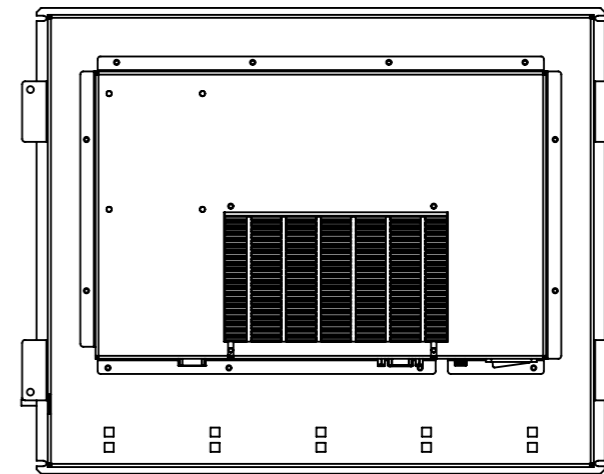
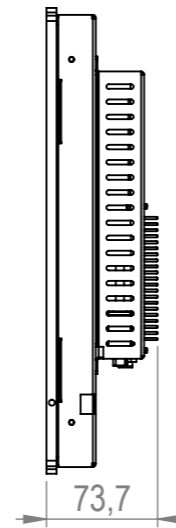
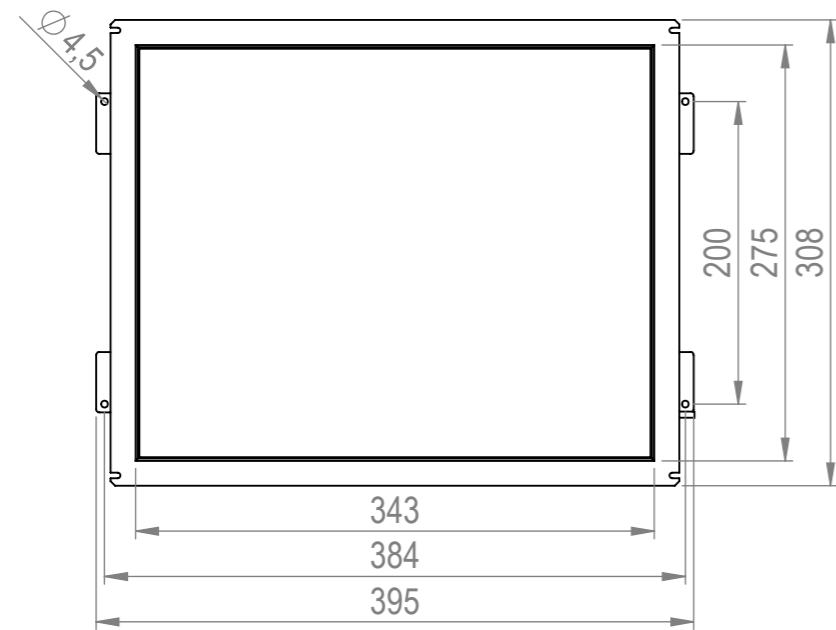
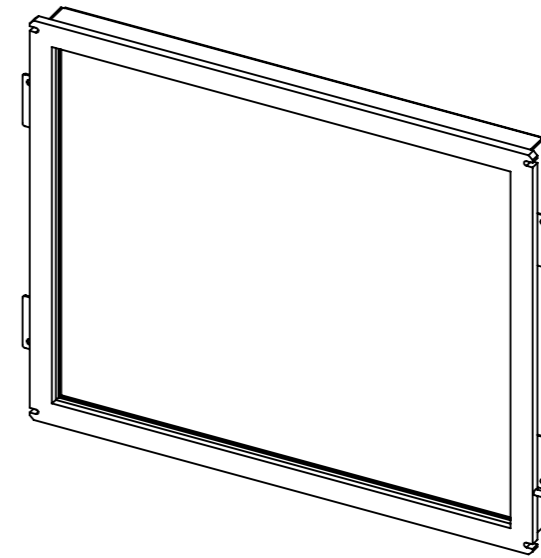
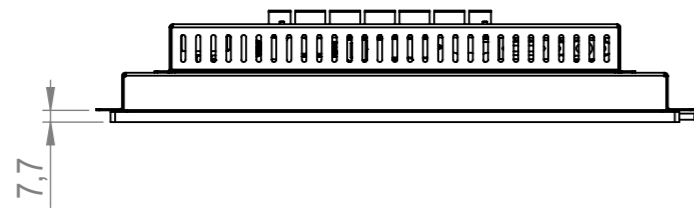
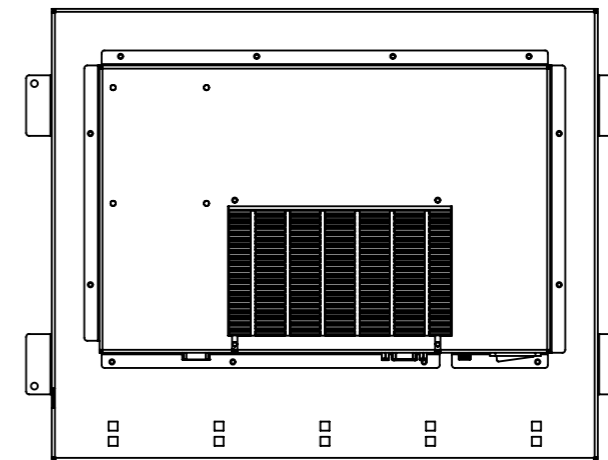
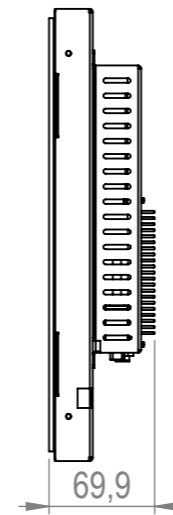
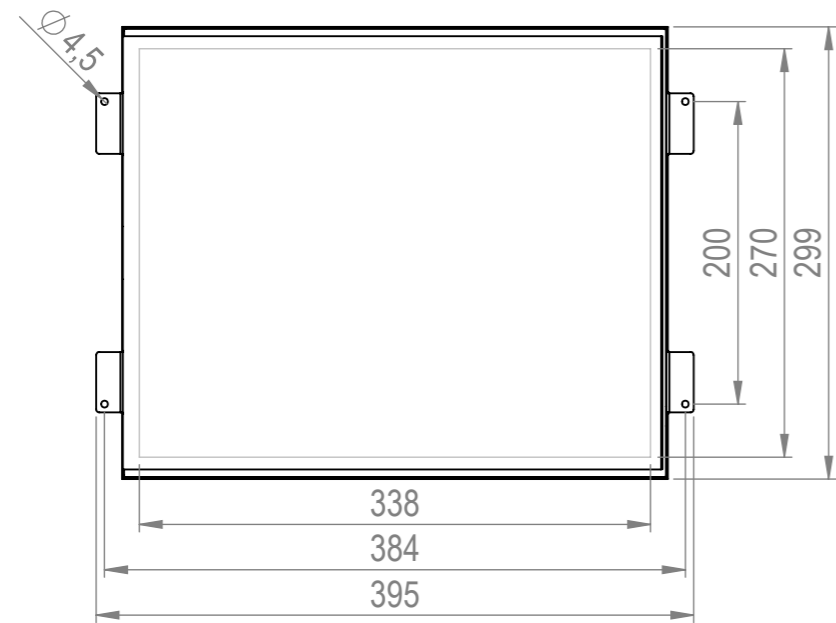
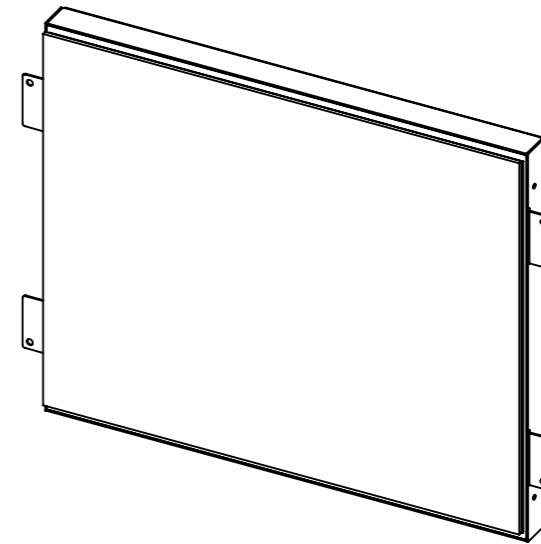
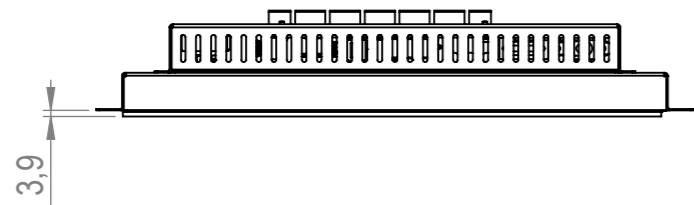


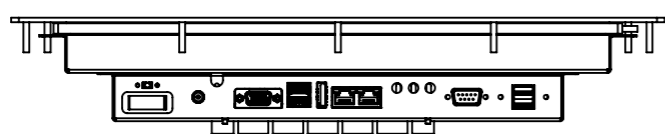
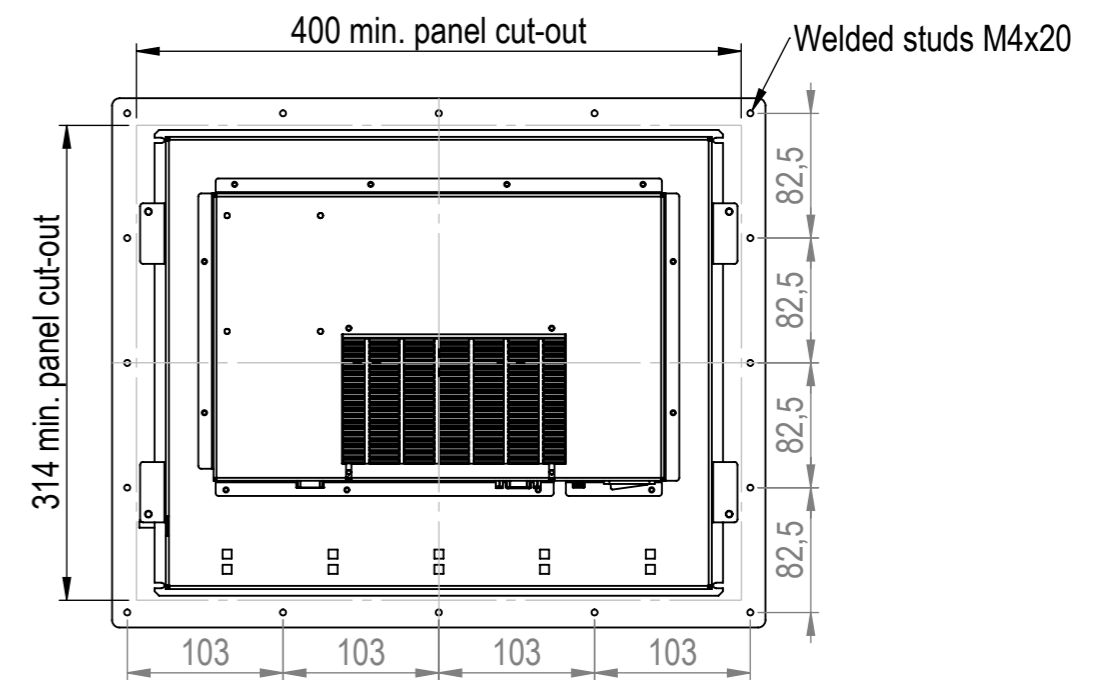
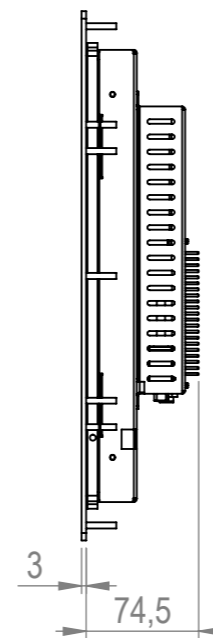
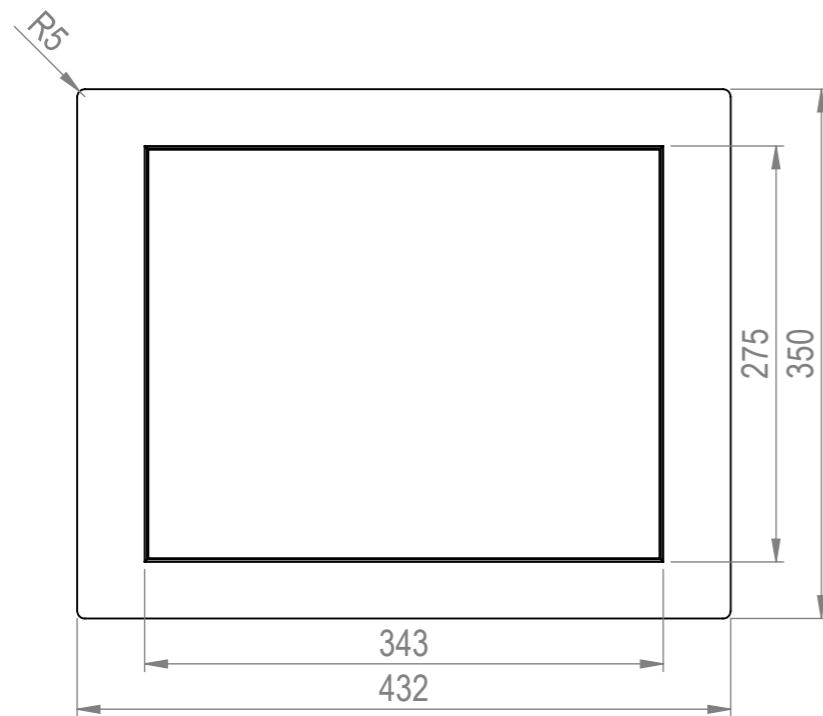
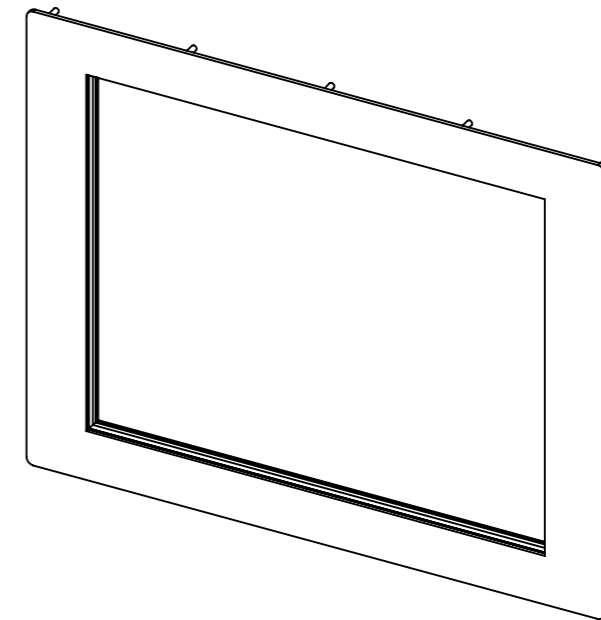
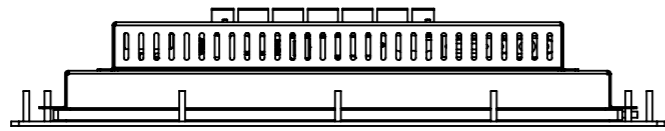
DATE		23-9-2023		DO NOT SCALE DRAWING		DIMENSIONS ARE IN MM	
REV.	DRAWN	FB		TFT/Solutions			
1	APPROVED	FB					
MATERIAL				DESCRIPTION Assembly			
FINISH				PAGE NAME Openframe			
				DWG NO. PPC170-C4			A3
				SCALE:1:5		SHEET 1 OF 5	



DATE		23-9-2023		DO NOT SCALE DRAWING		DIMENSIONS ARE IN MM	
REV.	DRAWN	FB		TFT/Solutions			
1	APPROVED	FB					
MATERIAL				DESCRIPTION			
				Assembly			
FINISH				PAGE NAME			
				IRtouch openframe			
				DWG NO.			A3
				PPC170-C4-IRU			
				SCALE:1:5		SHEET 2 OF 5	



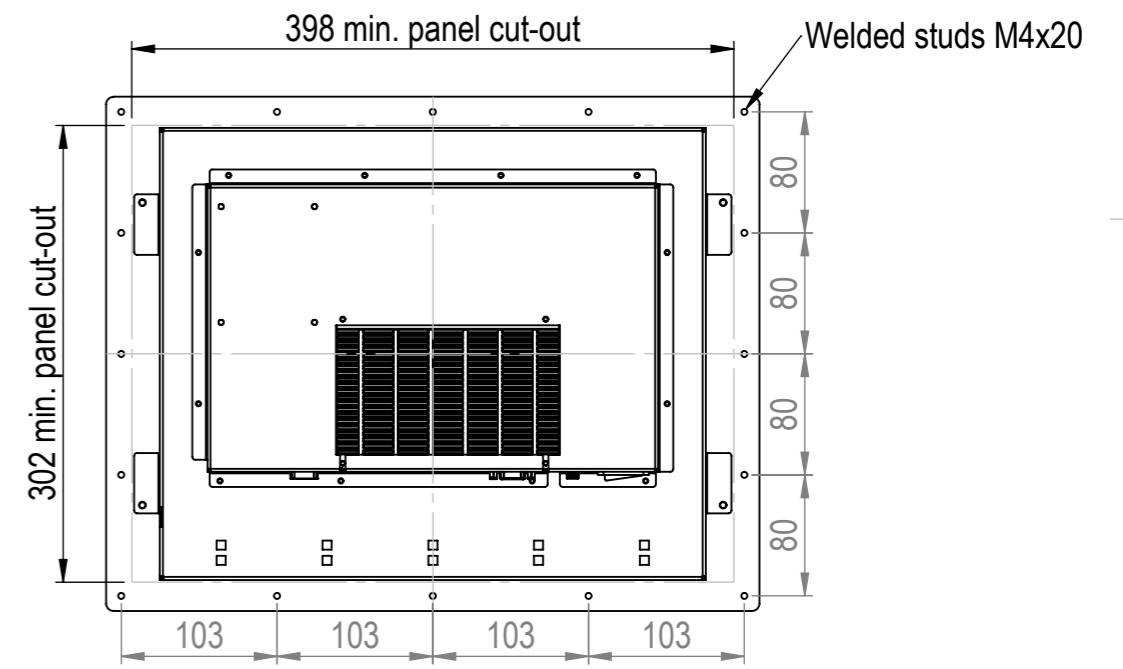
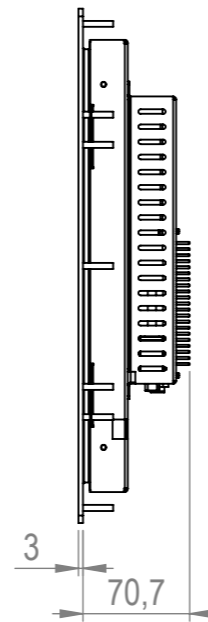
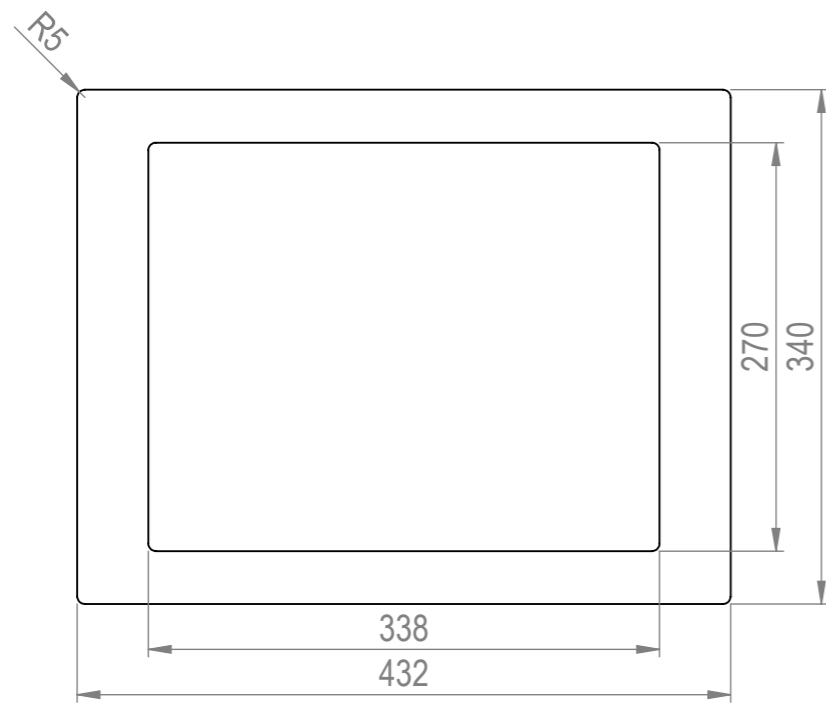
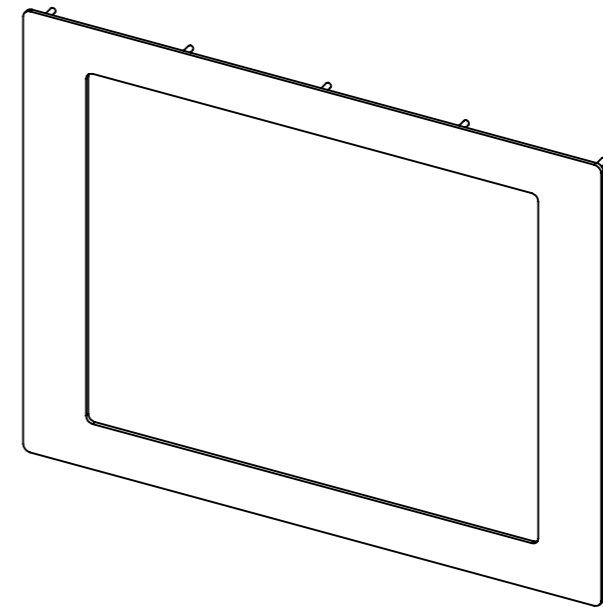
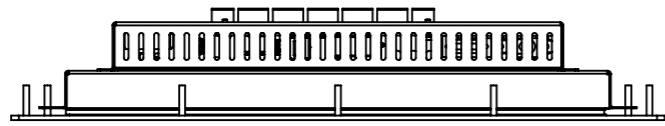
DATE		23-9-2023		DO NOT SCALE DRAWING		DIMENSIONS ARE IN MM	
REV.	DRAWN	FB		TFT/Solutions			
1	APPROVED	FB					
MATERIAL				DESCRIPTION Assembly			
FINISH				PAGE NAME Resistive touch openframe			
				DWG NO. PPC170-C4-RU			A3
				SCALE:1:5		SHEET 3 OF 5	



PANELMOUNT WITH HEIGHT OF 350mm IS ONLY SUITABLE FOR IRTOUCH VERSION

RESISTIVE TOUCH VERSION HAS A DIFFERENT HEIGHT OF 340mm

DATE		23-9-2023		DO NOT SCALE DRAWING		DIMENSIONS ARE IN MM	
REV.	DRAWN	FB		TFT/Solutions			
1	APPROVED	FB					
MATERIAL				DESCRIPTION			
				Assembly			
FINISH				PAGE NAME			
				IRtouch panelmount			
				DWG NO.			A3
				PPC170-C4-IRU			
				SCALE:1:5		SHEET 4 OF 5	



PANELMOUNT WITH HEIGHT OF 340mm
IS ONLY SUITABLE FOR RESISTIVE TOUCH VERSION

IRTOUCH VERSION HAS
A DIFFERENT HEIGHT OF 350mm

DATE		23-9-2023		DO NOT SCALE DRAWING		DIMENSIONS ARE IN MM	
REV.	DRAWN	FB		TFT/Solutions			
1	APPROVED	FB					
MATERIAL				DESCRIPTION			
				Assembly			
FINISH				PAGE NAME			
				Resistive touch panelmount			
				DWG NO.		A3	
				PPC170-C4-RU			
				SCALE:1:5		SHEET 5 OF 5	