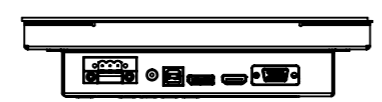
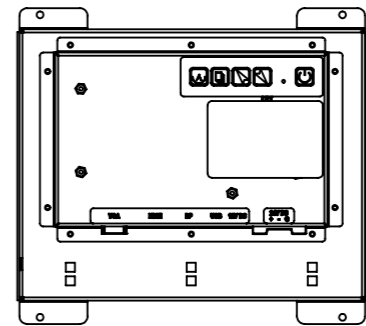
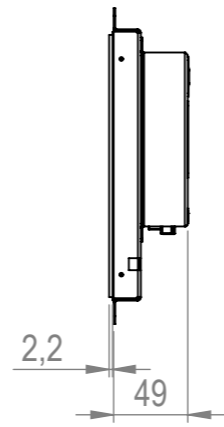
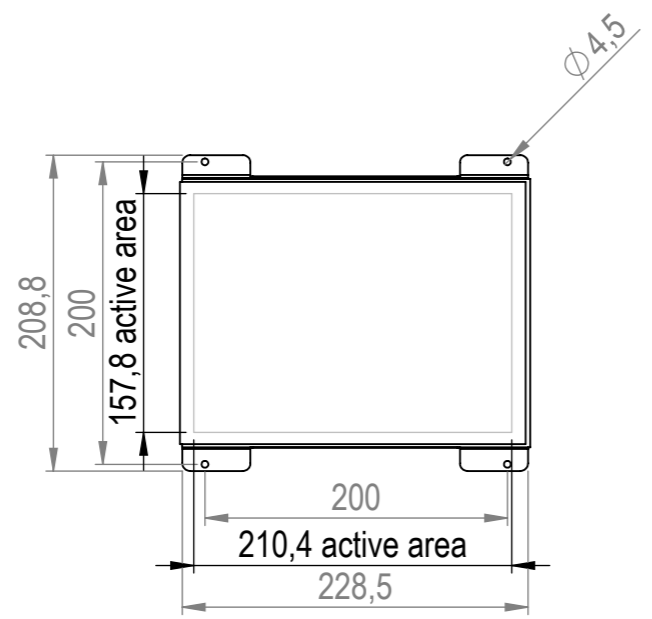
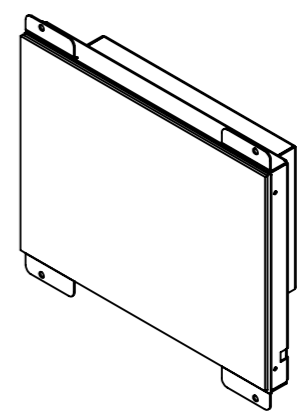
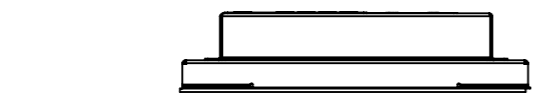
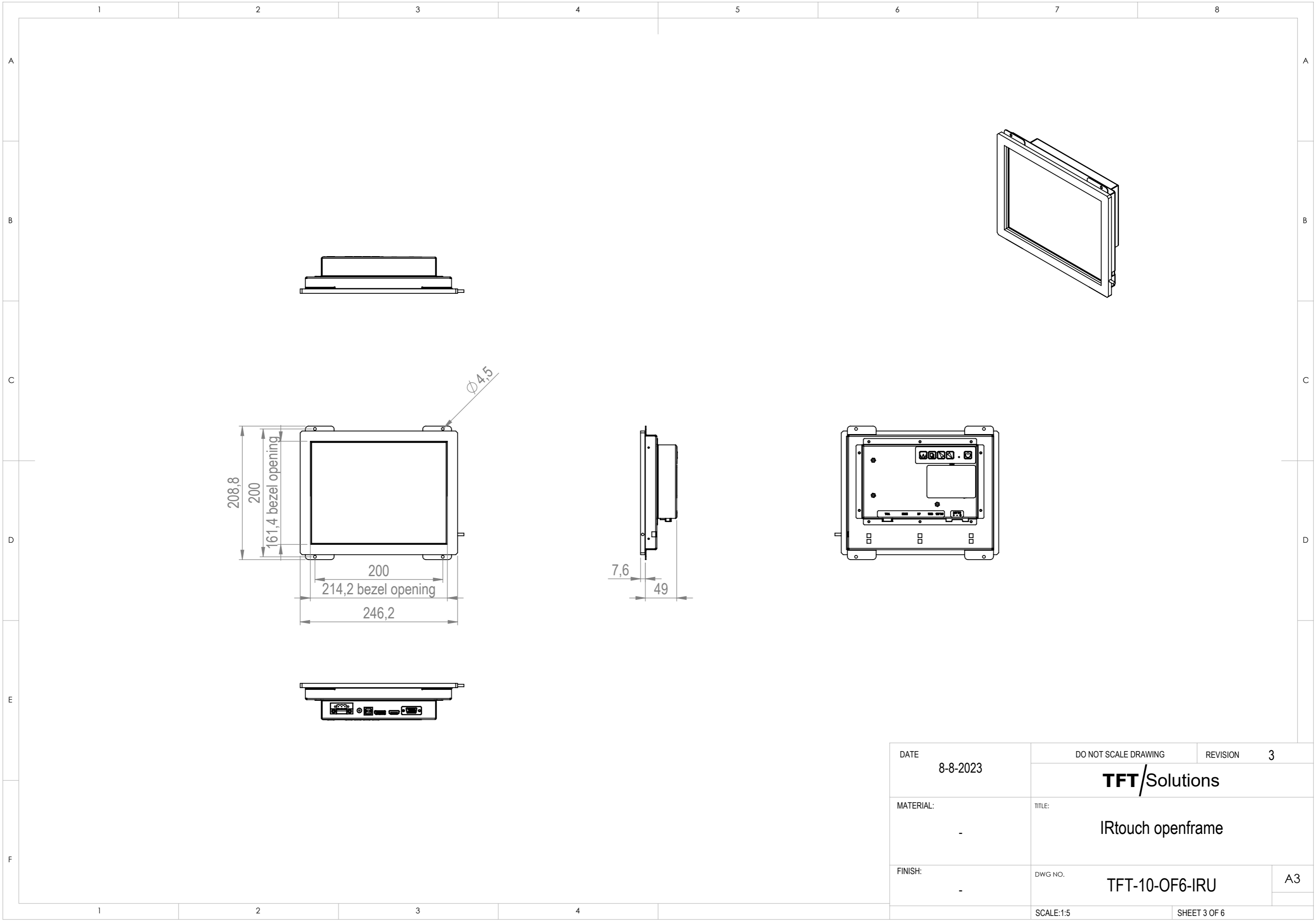


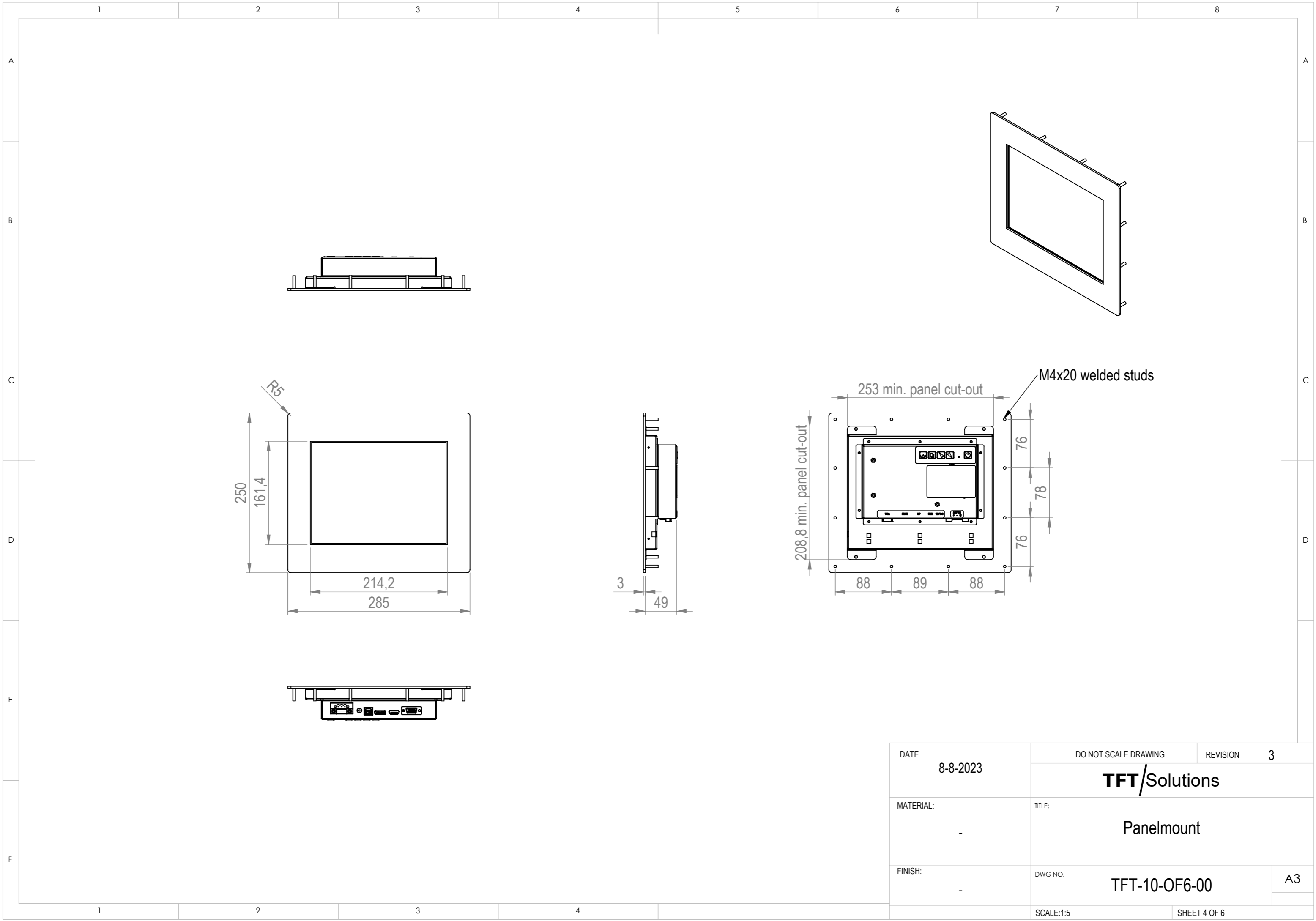
| | | | | |
|-----------|----------|----------------------|---------------|----|
| DATE | 8-8-2023 | DO NOT SCALE DRAWING | REVISION | 3 |
| | | TFT/Solutions | | |
| MATERIAL: | - | TITLE: | Openframe | |
| FINISH: | - | DWG NO. | TFT-10-OF6-00 | A3 |
| | | SCALE:1:5 | SHEET 1 OF 6 | |



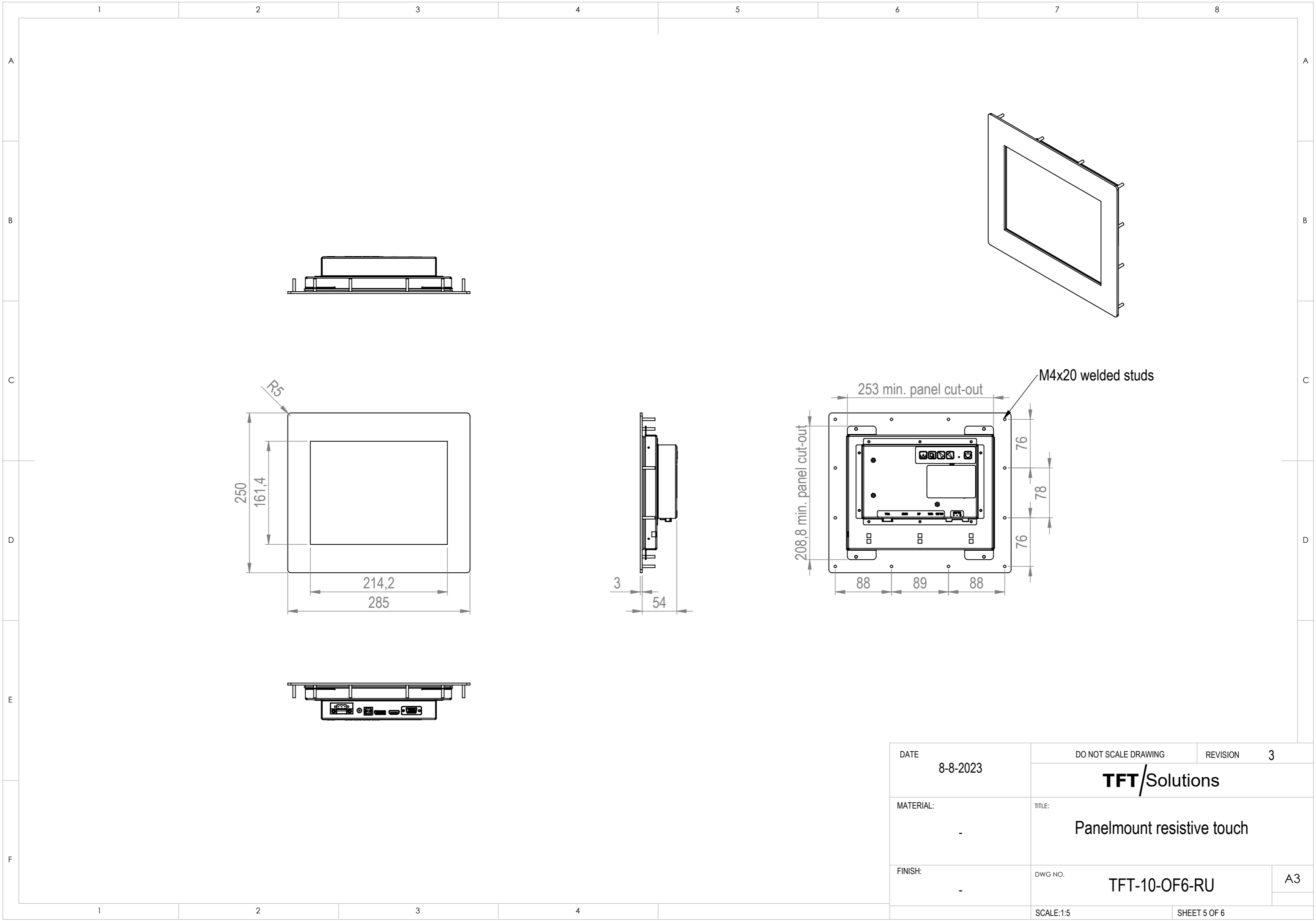
| | | | | |
|-----------|----------|-------------------------------|---------------|----|
| DATE | 8-8-2023 | DO NOT SCALE DRAWING | REVISION | 3 |
| | | TFT/Solutions | | |
| MATERIAL: | - | TITLE: Resistive openframe | | |
| FINISH: | - | DWG NO. | TFT-10-OF6-RU | A3 |
| | | SCALE:1:5 | SHEET 2 OF 6 | |



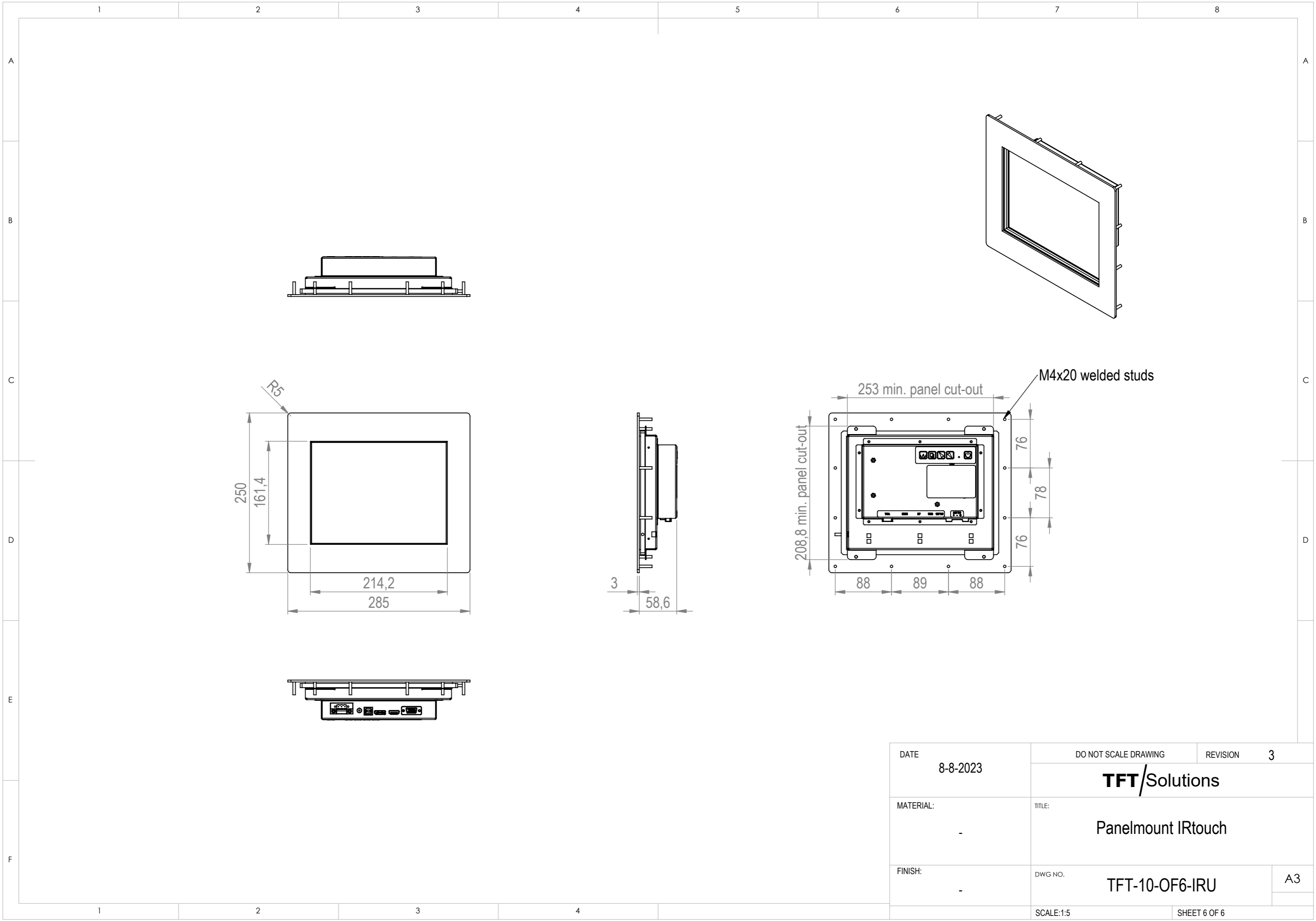
| | | | | |
|-----------|----------|-----------------------------|----------------|----|
| DATE | 8-8-2023 | DO NOT SCALE DRAWING | REVISION | 3 |
| | | TFT/Solutions | | |
| MATERIAL: | - | TITLE: IRtouch openframe | | |
| FINISH: | - | DWG NO. | TFT-10-OF6-IRU | A3 |
| | | SCALE:1:5 | SHEET 3 OF 6 | |



| | | | | |
|-----------|----------|----------------------|---------------|----|
| DATE | 8-8-2023 | DO NOT SCALE DRAWING | REVISION | 3 |
| | | TFT/Solutions | | |
| MATERIAL: | - | TITLE: | Panelmount | |
| FINISH: | - | DWG NO. | TFT-10-OF6-00 | A3 |
| | | SCALE:1:5 | SHEET 4 OF 6 | |



| | | | | |
|-----------|----------|--------------------------------------|---------------|----|
| DATE | 8-8-2023 | DO NOT SCALE DRAWING | REVISION | 3 |
| | | TFT/Solutions | | |
| MATERIAL: | - | TITLE: Panelmount resistive touch | | |
| FINISH: | - | DWG NO. | TFT-10-OF6-RU | A3 |
| | | SCALE:1:5 | SHEET 5 OF 6 | |



| | | | | |
|-----------|----------|------------------------------|----------------|----|
| DATE | 8-8-2023 | DO NOT SCALE DRAWING | REVISION | 3 |
| | | TFT/Solutions | | |
| MATERIAL: | - | TITLE: Panelmount IRtouch | | |
| FINISH: | - | DWG NO. | TFT-10-OF6-IRU | A3 |
| | | SCALE:1:5 | SHEET 6 OF 6 | |