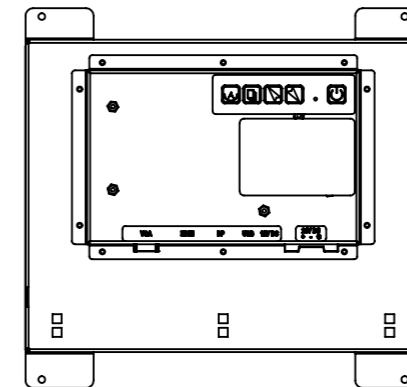
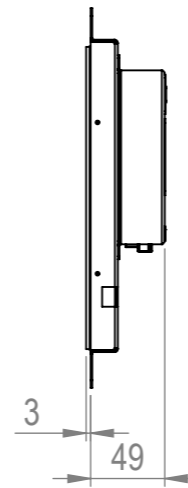
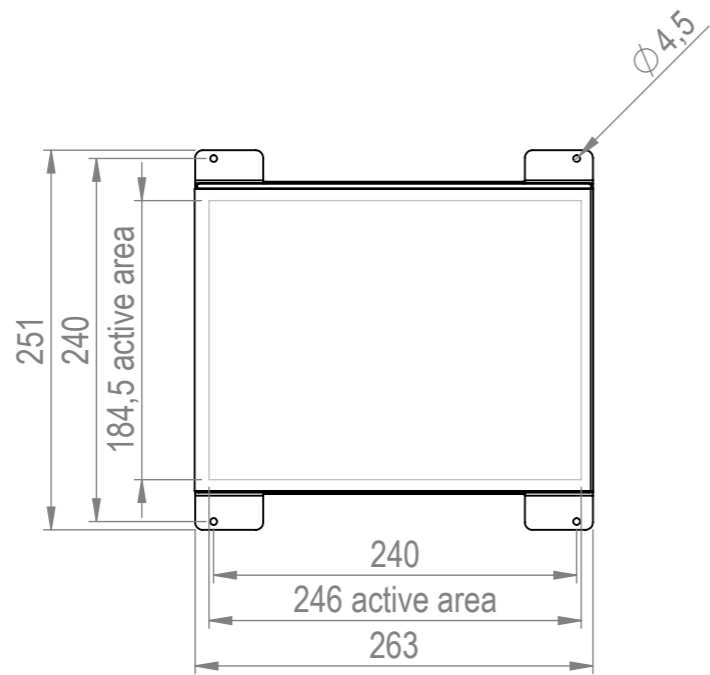
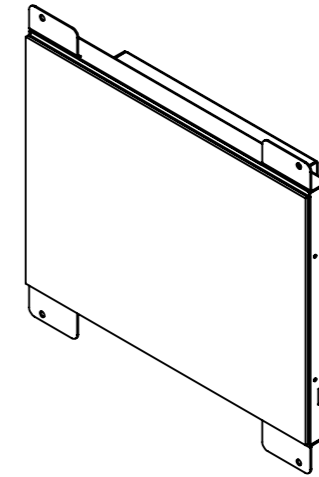
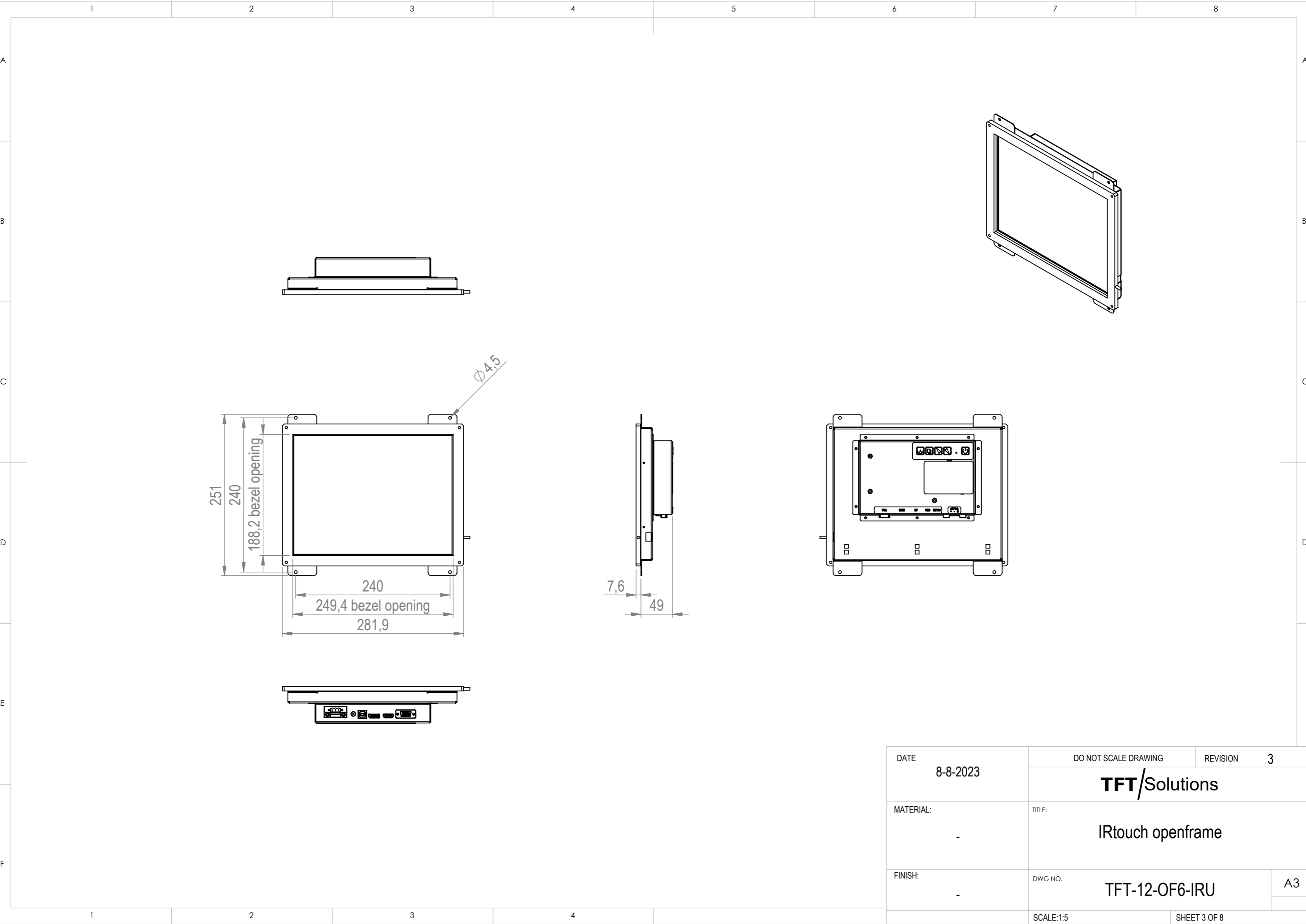


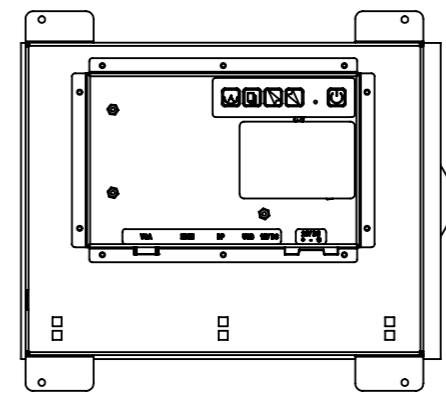
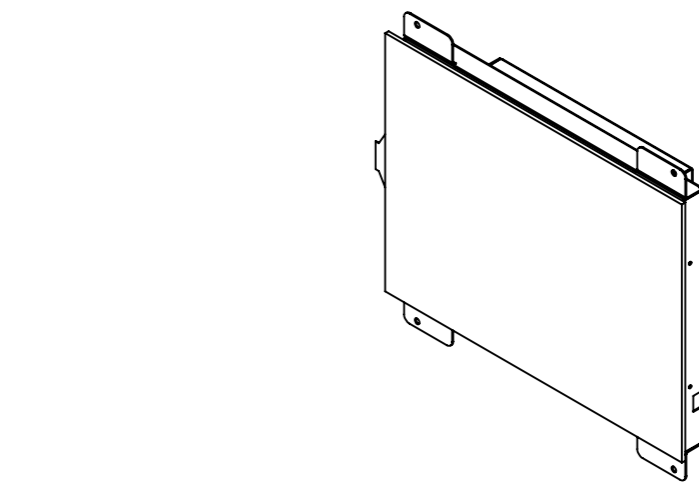
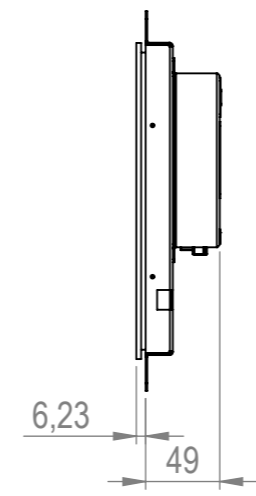
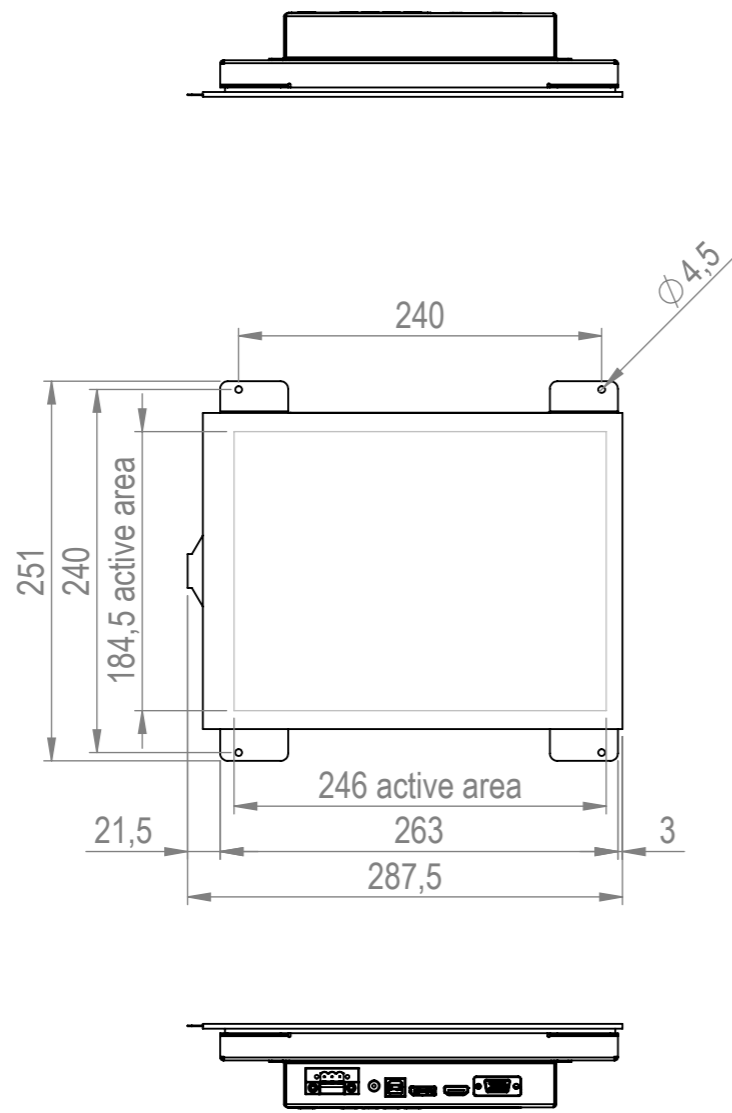
DATE	8-8-2023	DO NOT SCALE DRAWING	REVISION	3
		TFT/Solutions		
MATERIAL:	-	TITLE: Openframe		
FINISH:	-	DWG NO.	TFT-12-OF6-00	A3
		SCALE:1:5	SHEET 1 OF 8	



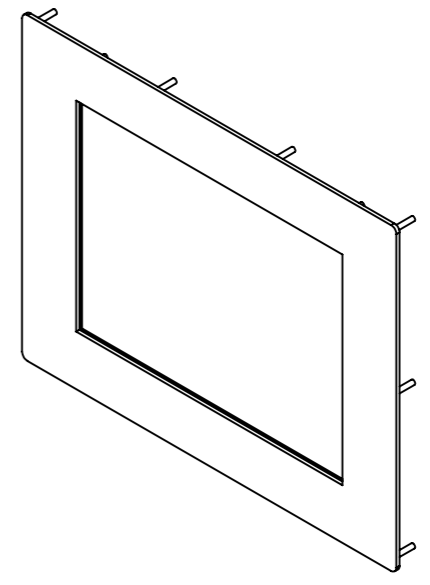
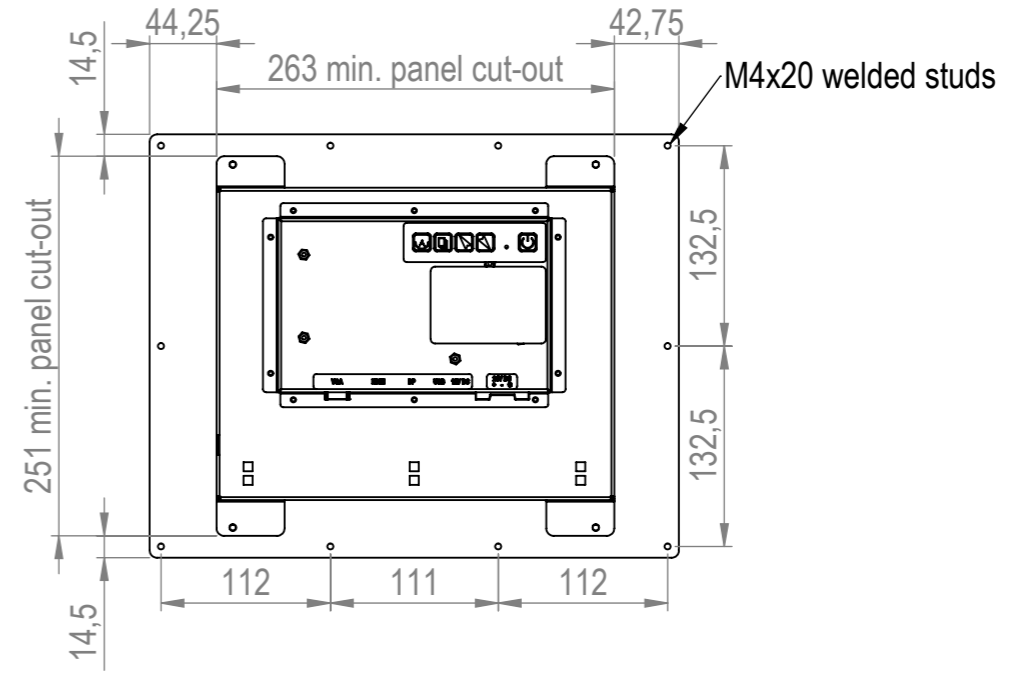
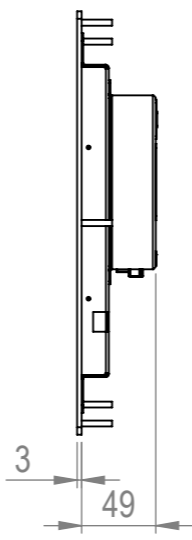
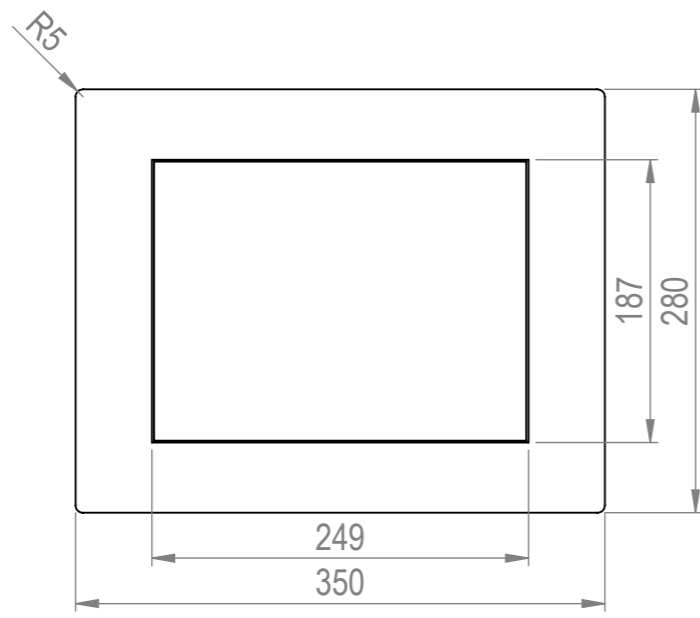
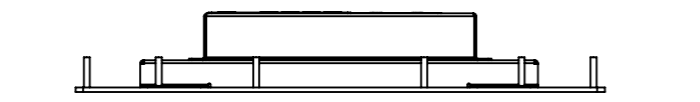
DATE	8-8-2023	DO NOT SCALE DRAWING	REVISION	3
		TFT/Solutions		
MATERIAL:	-	TITLE: Resistive openframe		
FINISH:	-	DWG NO.	TFT-12-OF6-RU	A3
		SCALE:1:5	SHEET 2 OF 8	



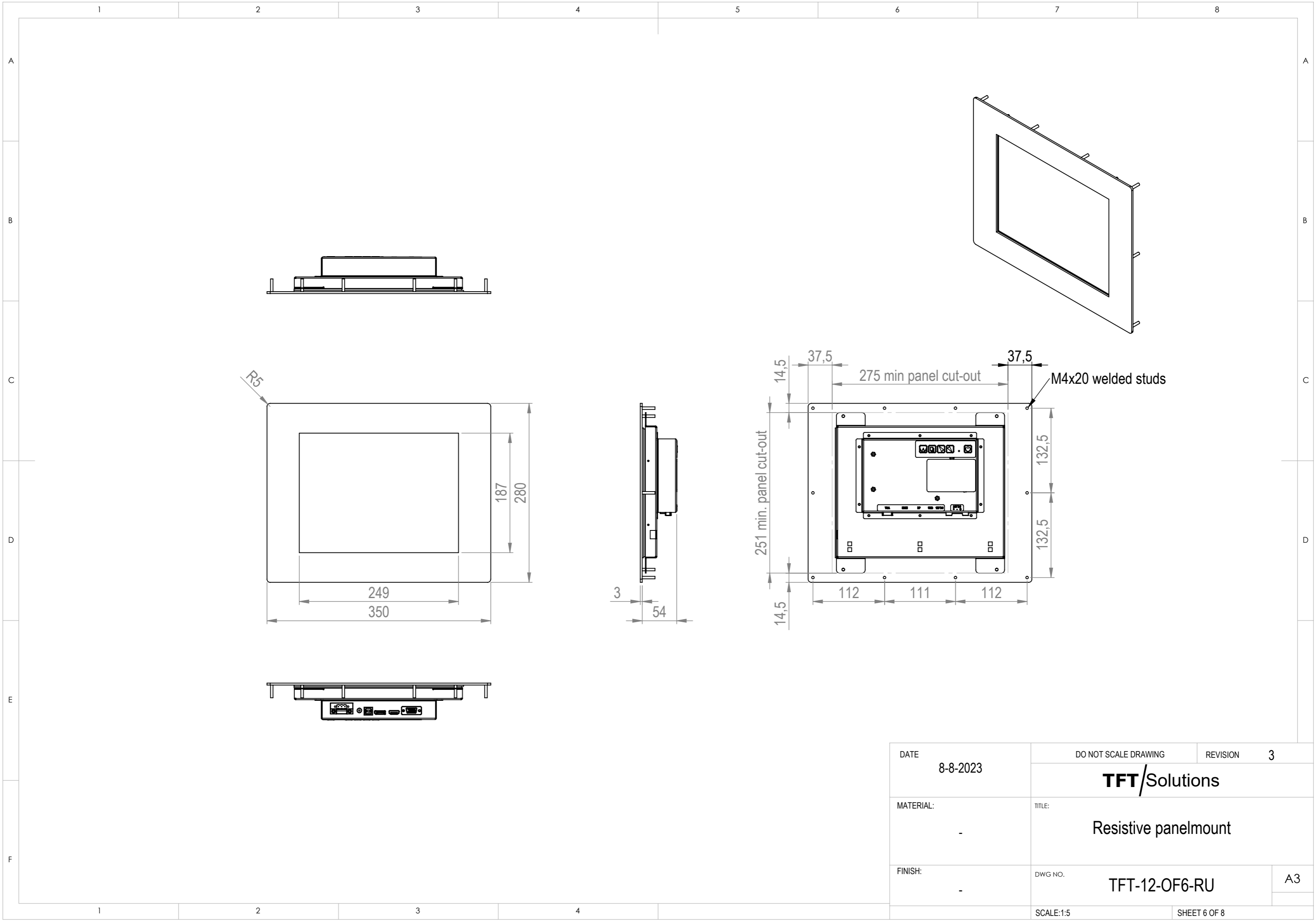
DATE	8-8-2023	DO NOT SCALE DRAWING	REVISION	3
		TFT/Solutions		
MATERIAL:	-	TITLE: IRtouch openframe		
FINISH:	-	DWG NO.	TFT-12-OF6-IRU	A3
		SCALE:1:5	SHEET 3 OF 8	



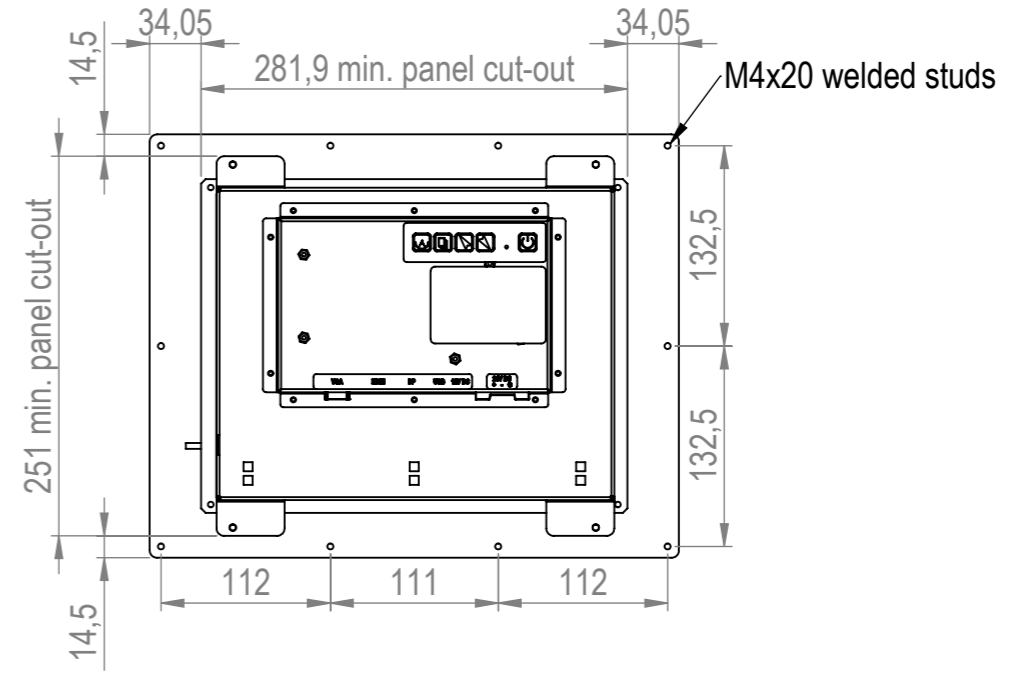
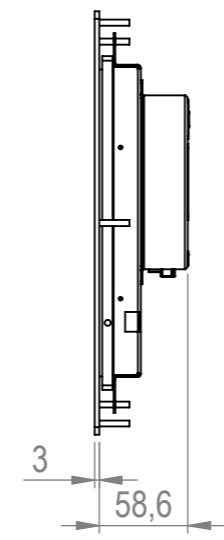
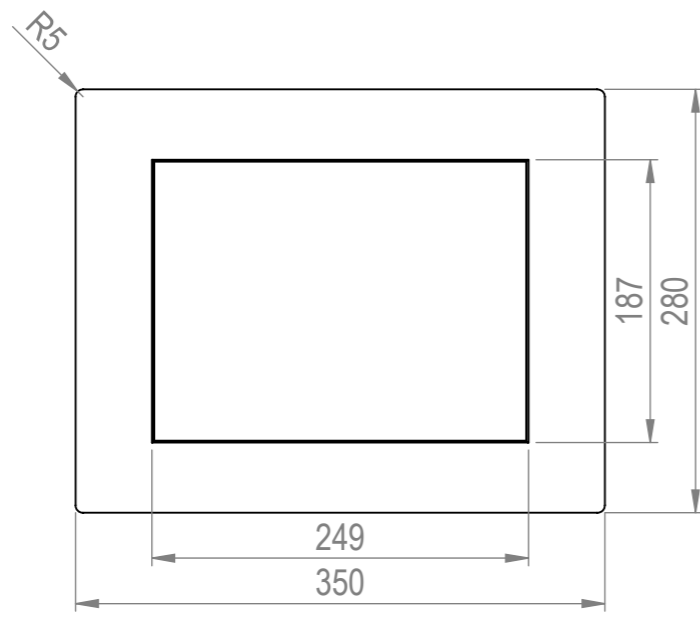
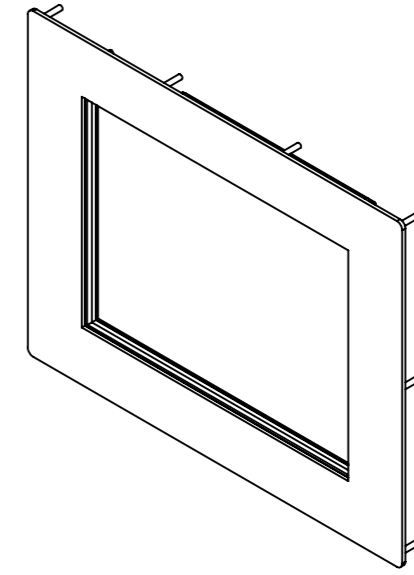
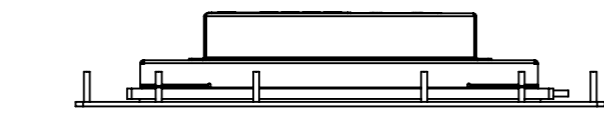
DATE	8-8-2023	DO NOT SCALE DRAWING	REVISION	3
		TFT/Solutions		
MATERIAL:	-	TITLE: 3mm PCAP openframe		
FINISH:	-	DWG NO.	TFT-12-OF6-ZYT	A3
		SCALE:1:5	SHEET 4 OF 8	



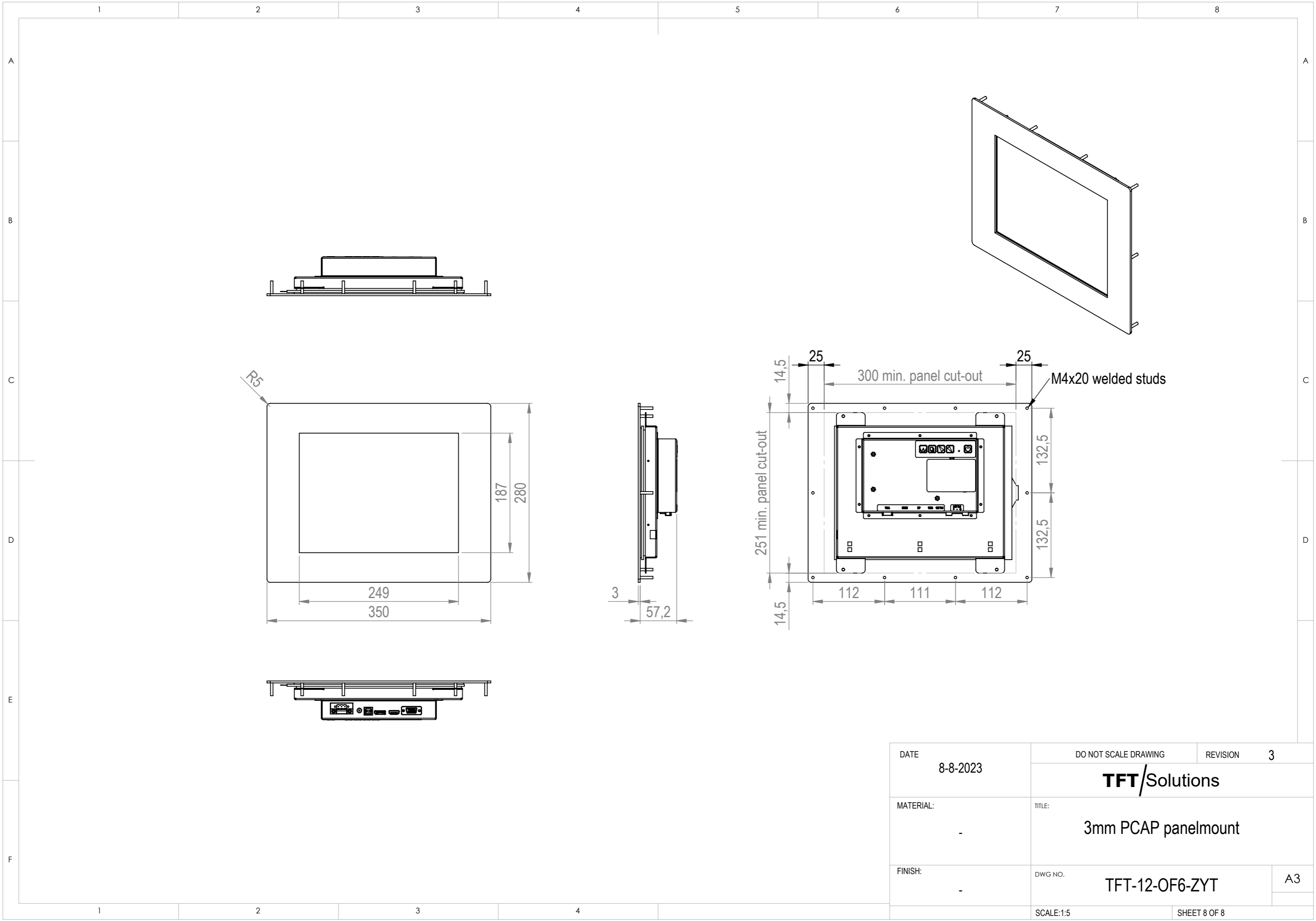
DATE	8-8-2023	DO NOT SCALE DRAWING	REVISION	3
		TFT/Solutions		
MATERIAL:	-	TITLE: Panelmount		
FINISH:	-	DWG NO.	TFT-12-OF6-00	A3
		SCALE:1:5	SHEET 5 OF 8	



DATE	8-8-2023	DO NOT SCALE DRAWING	REVISION	3
		TFT/Solutions		
MATERIAL:	-	TITLE: Resistive panelmount		
FINISH:	-	DWG NO.	TFT-12-OF6-RU	A3
		SCALE:1:5	SHEET 6 OF 8	



DATE	8-8-2023	DO NOT SCALE DRAWING	REVISION	3
		TFT/Solutions		
MATERIAL:	-	TITLE: IRtouch panelmount		
FINISH:	-	DWG NO.	TFT-12-OF6-IRU	A3
		SCALE:1:5	SHEET 7 OF 8	



DATE	8-8-2023	DO NOT SCALE DRAWING	REVISION	3
		TFT/Solutions		
MATERIAL:	-	TITLE:	3mm PCAP panelmount	
FINISH:	-	DWG NO.	TFT-12-OF6-ZYT	A3
		SCALE:1:5	SHEET 8 OF 8	