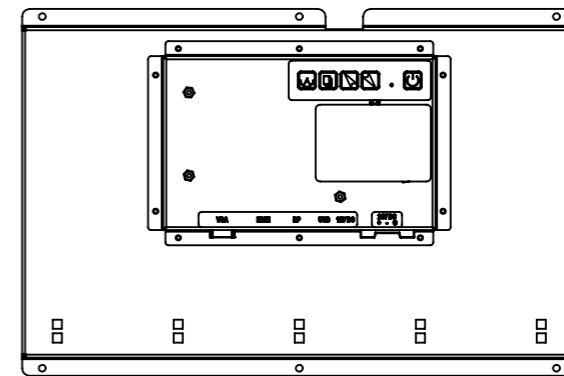
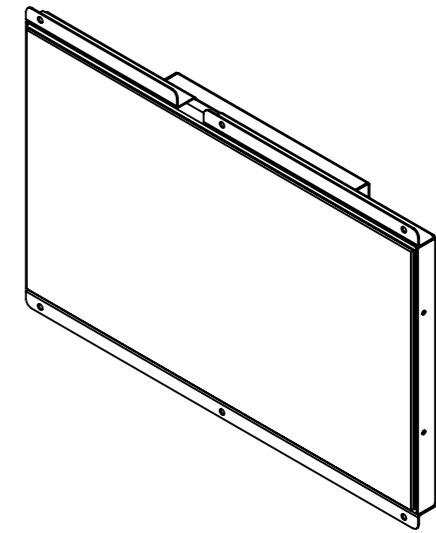
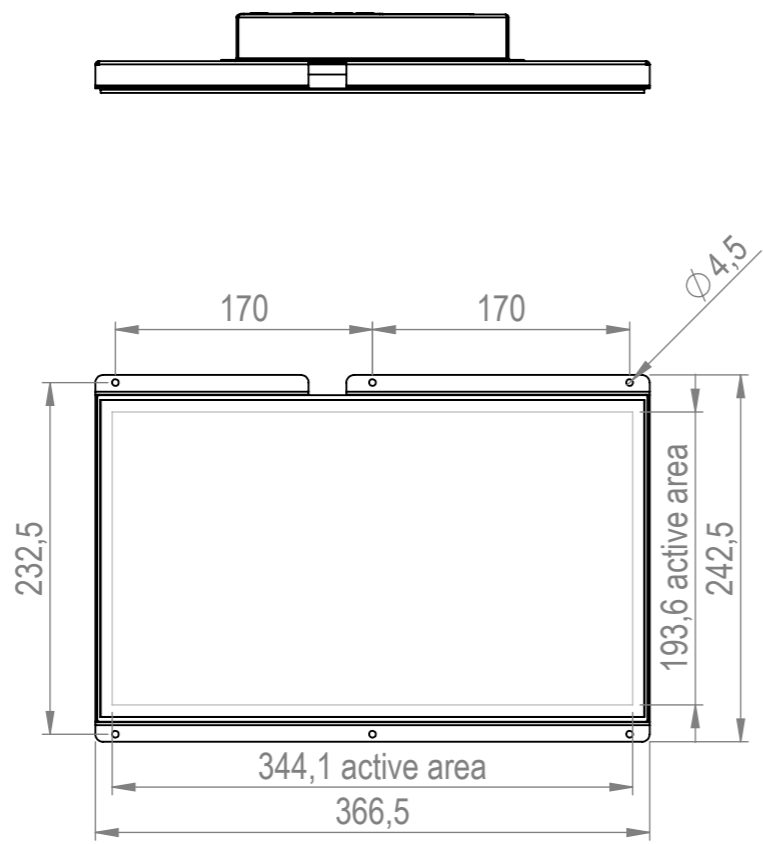
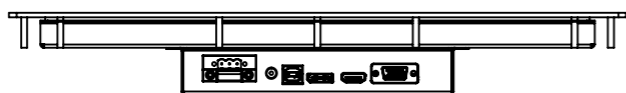
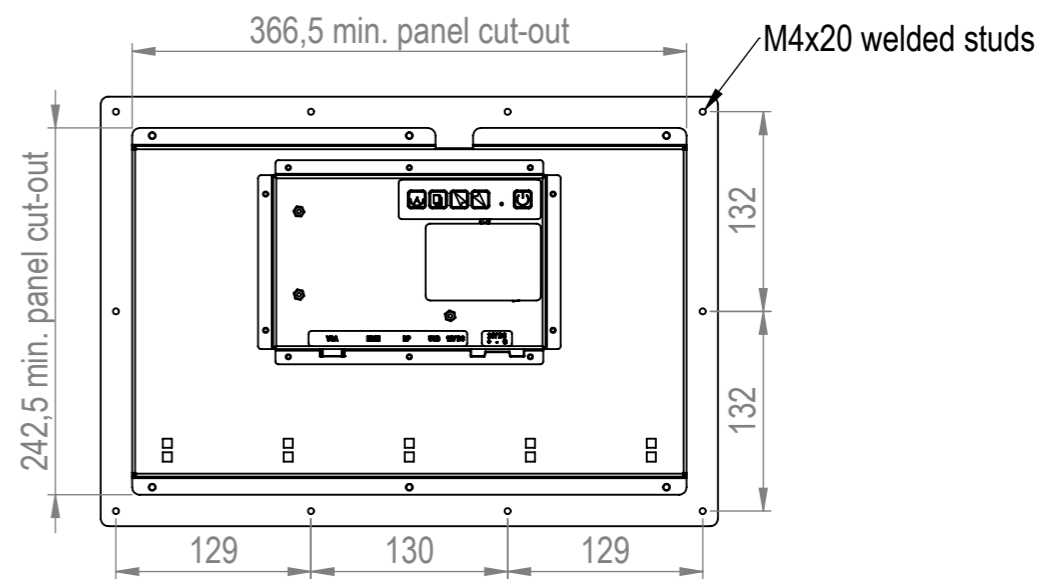
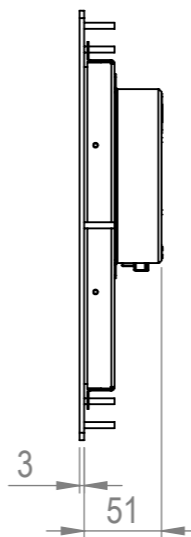
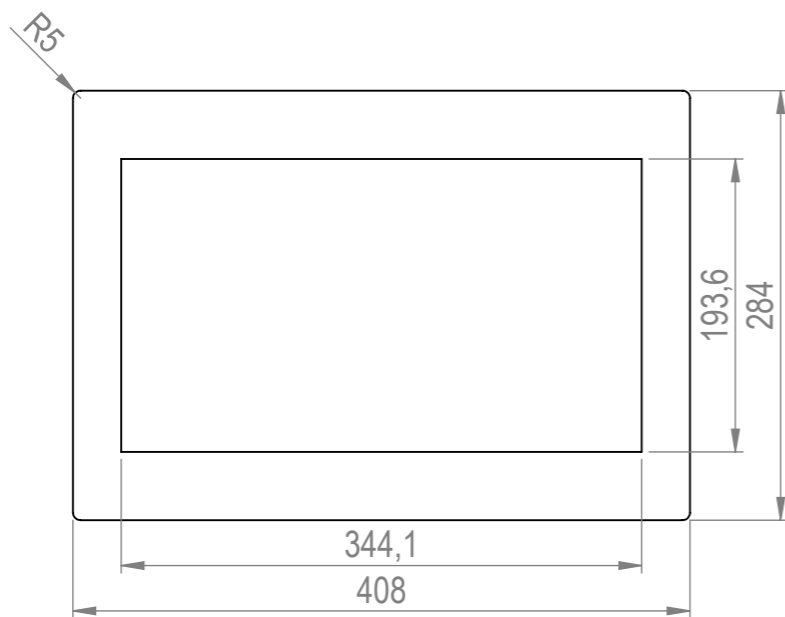
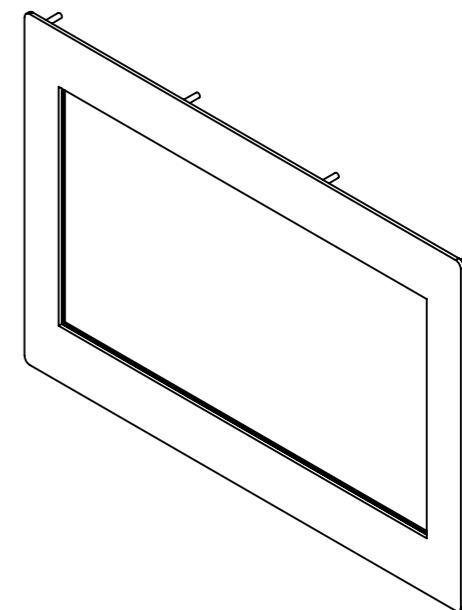


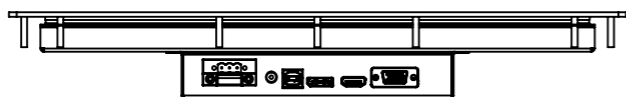
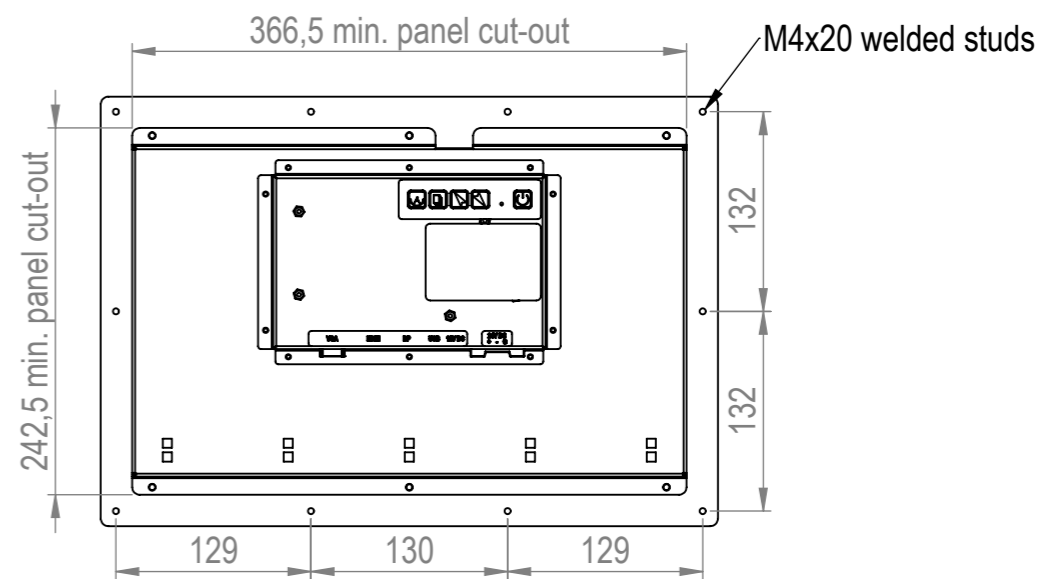
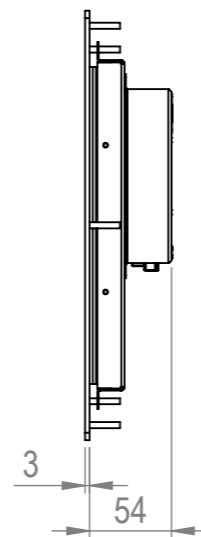
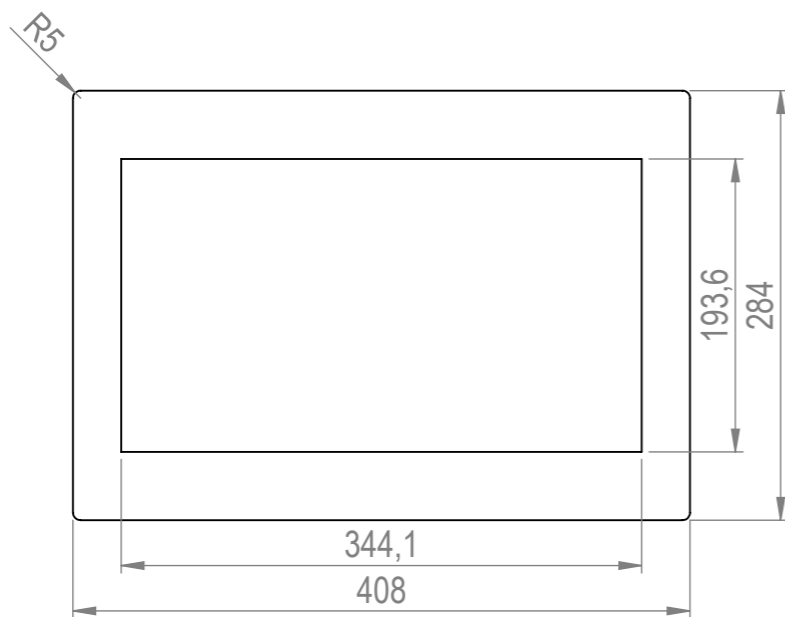
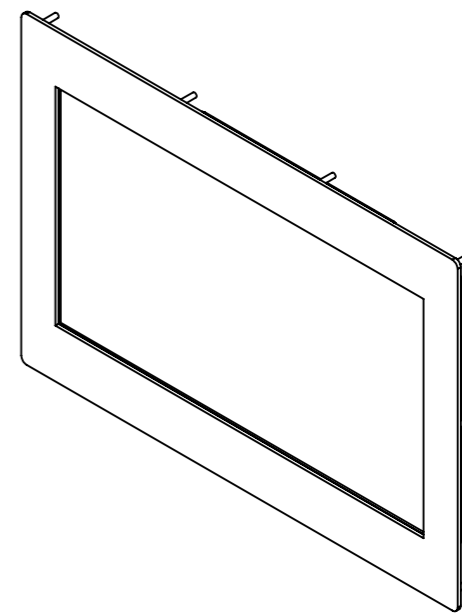
| | | | | |
|-----------|----------|----------------------|-----------------|----|
| DATE | 9-8-2023 | DO NOT SCALE DRAWING | REVISION | 2 |
| | | TFT/Solutions | | |
| MATERIAL: | - | TITLE: | Openframe | |
| FINISH: | - | DWG NO. | TFT-156W-OF6-00 | A3 |
| | | SCALE:1:5 | SHEET 1 OF 4 | |



| | | | | |
|-----------|----------|-------------------------------|-----------------|----|
| DATE | 9-8-2023 | DO NOT SCALE DRAWING | REVISION | 2 |
| | | TFT/Solutions | | |
| MATERIAL: | - | TITLE: Resistive openframe | | |
| FINISH: | - | DWG NO. | TFT-156W-OF6-RU | A3 |
| | | SCALE:1:5 | SHEET 2 OF 4 | |



| | | | | |
|-----------|----------|----------------------|-----------------|----|
| DATE | 9-8-2023 | DO NOT SCALE DRAWING | REVISION | 2 |
| | | TFT/Solutions | | |
| MATERIAL: | - | TITLE: Panelmount | | |
| FINISH: | - | DWG NO. | TFT-156W-OF6-00 | A3 |
| | | SCALE:1:5 | SHEET 3 OF 4 | |



| | | | | |
|-----------|----------|--------------------------------|-----------------|----|
| DATE | 9-8-2023 | DO NOT SCALE DRAWING | REVISION | 2 |
| | | TFT/Solutions | | |
| MATERIAL: | - | TITLE: Resistive panelmount | | |
| FINISH: | - | DWG NO. | TFT-156W-OF6-RU | A3 |
| | | SCALE:1:5 | SHEET 4 OF 4 | |