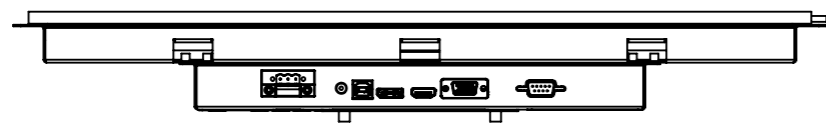
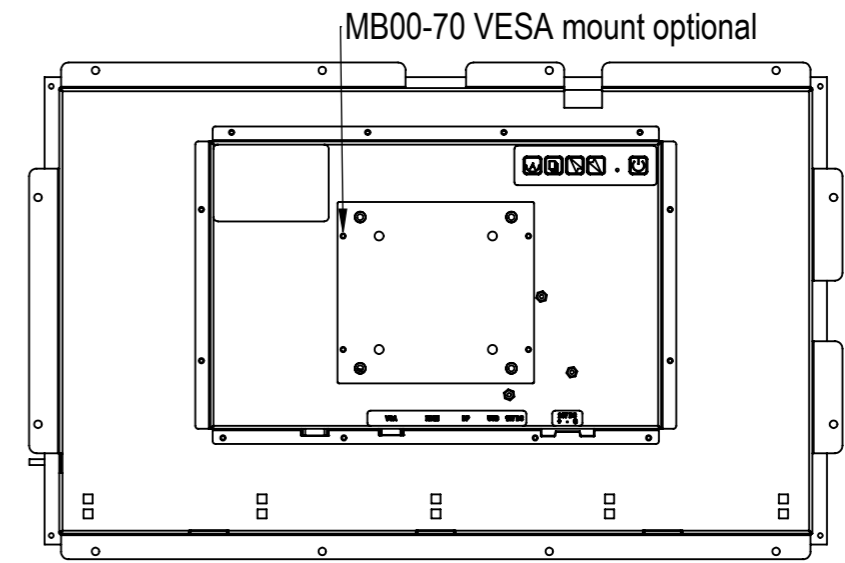
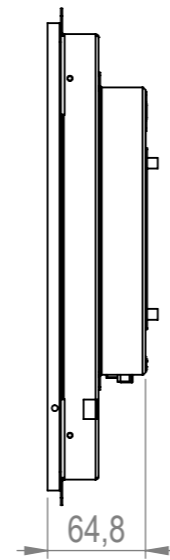
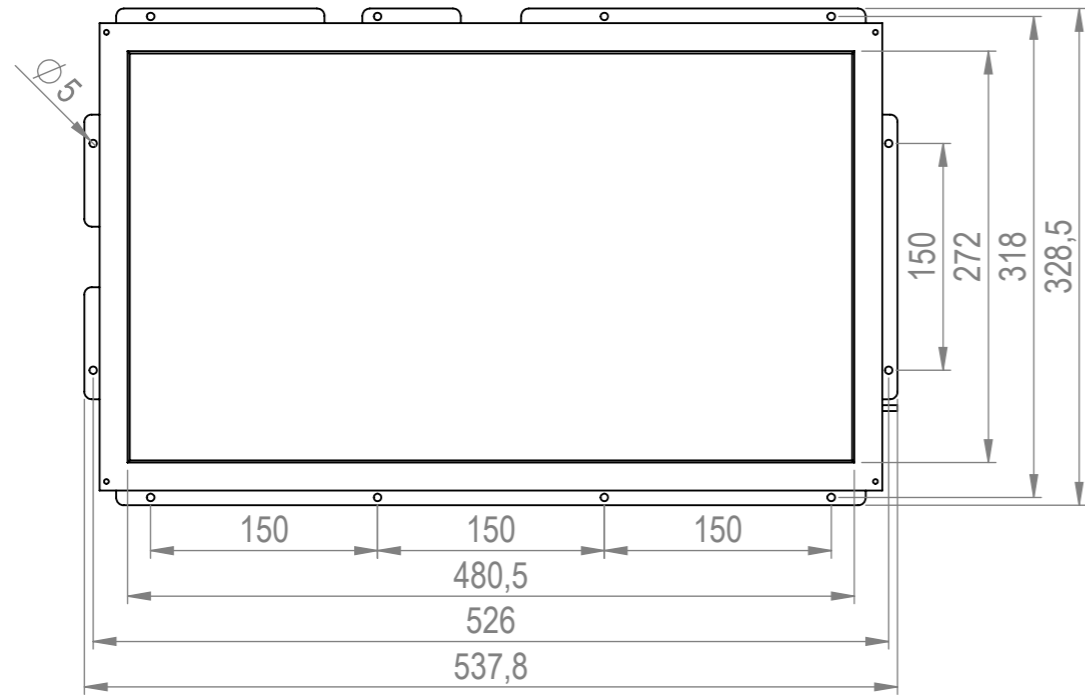
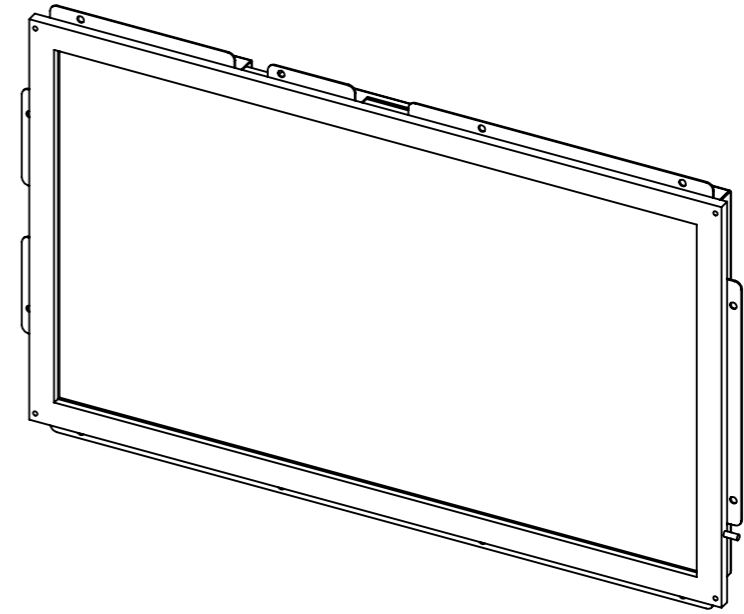
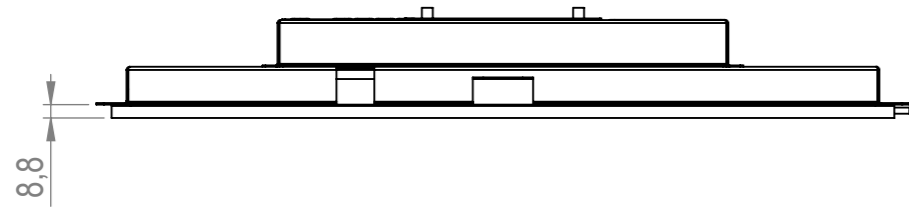
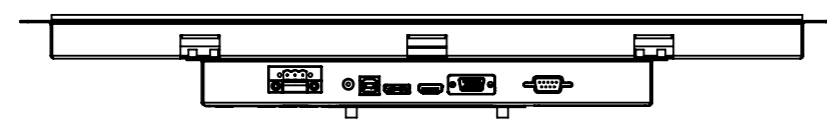
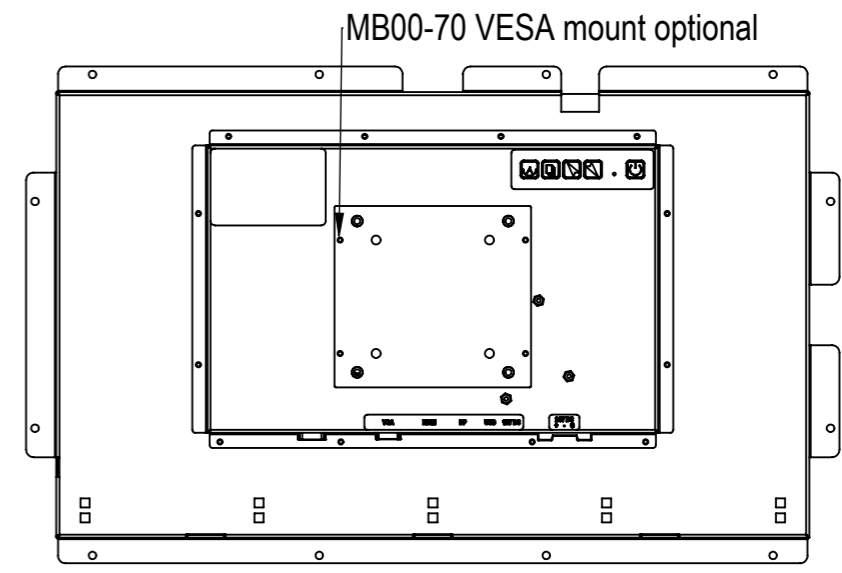
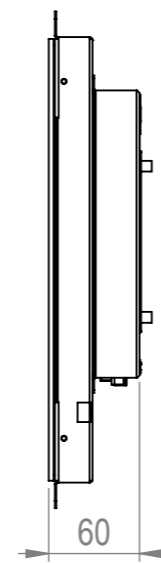
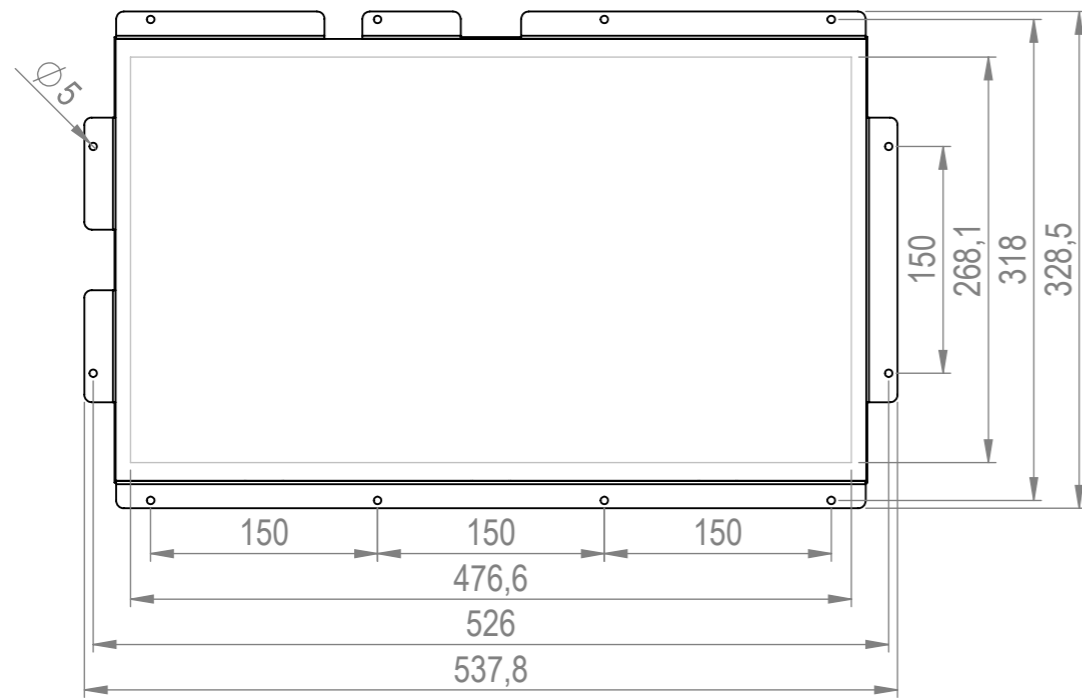
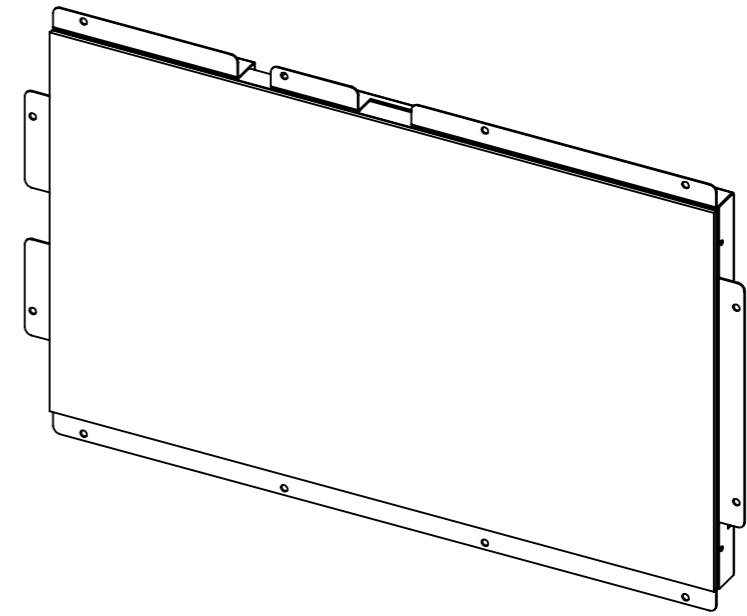
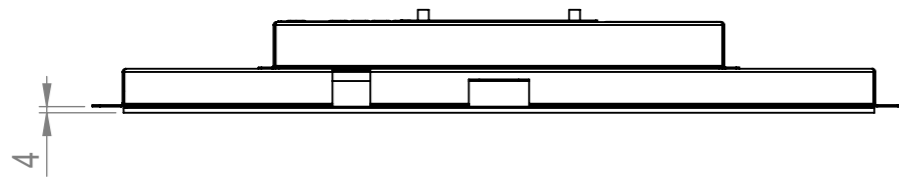


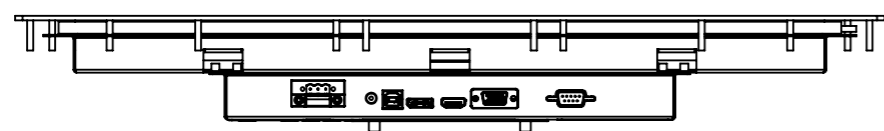
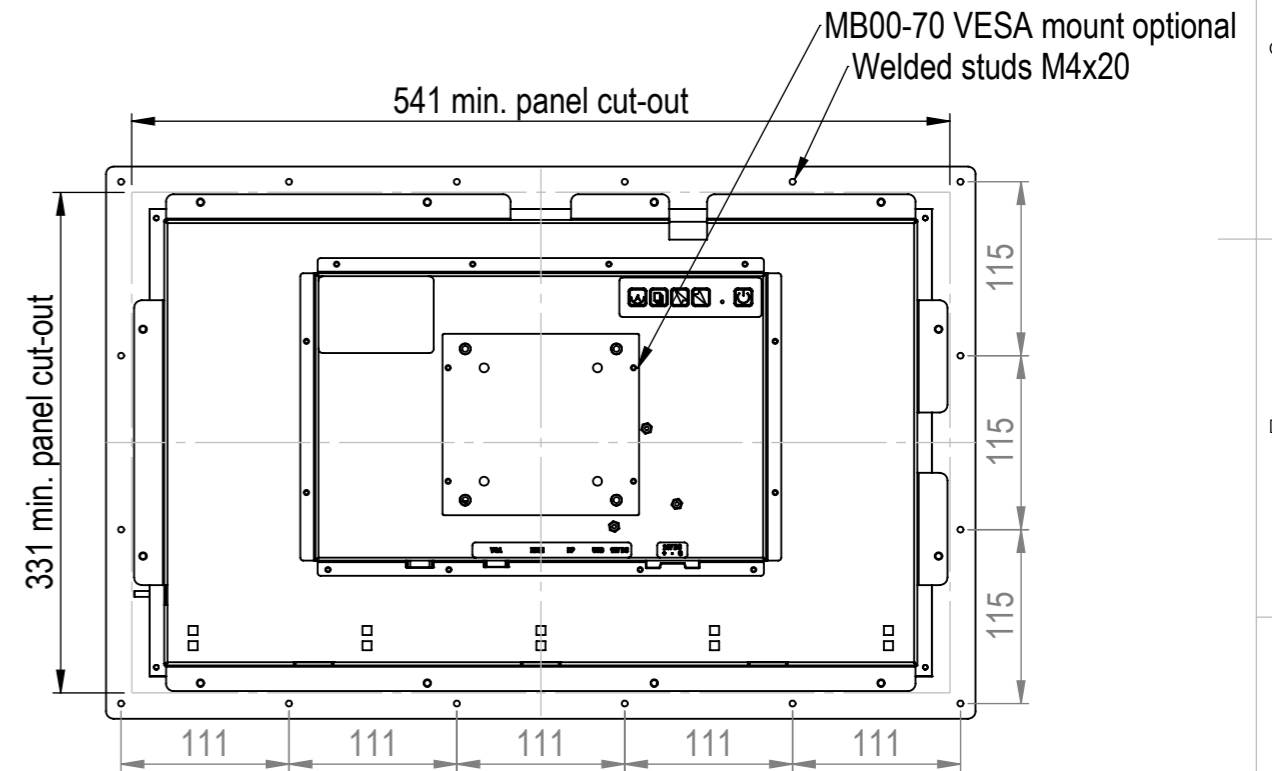
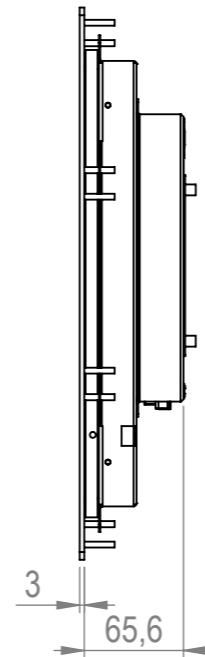
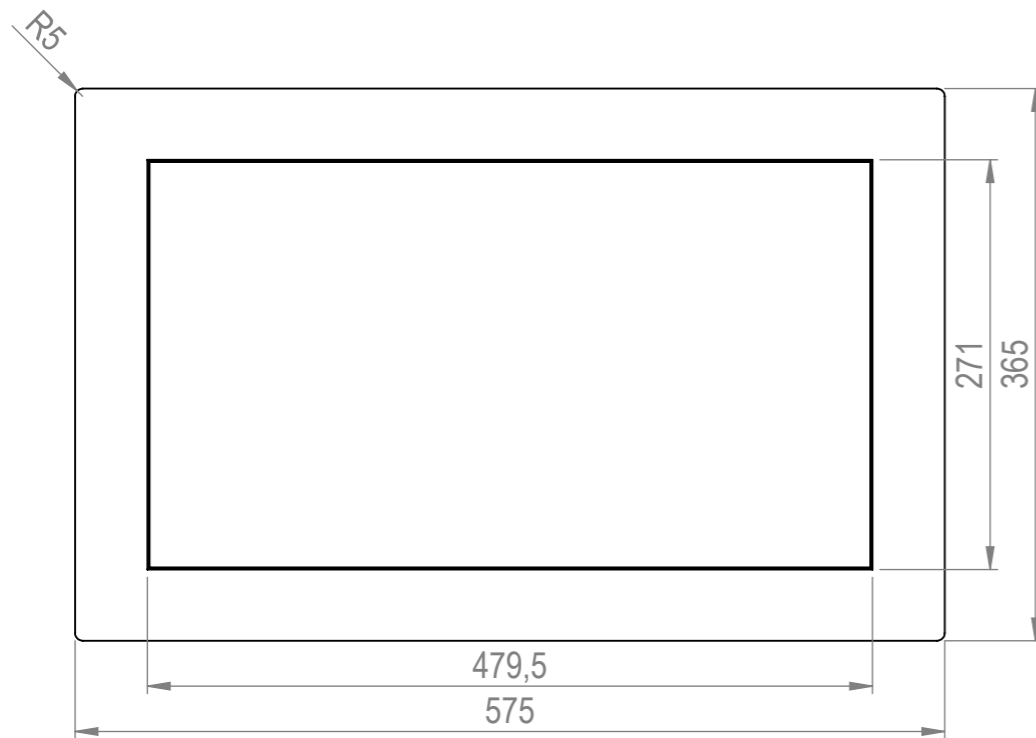
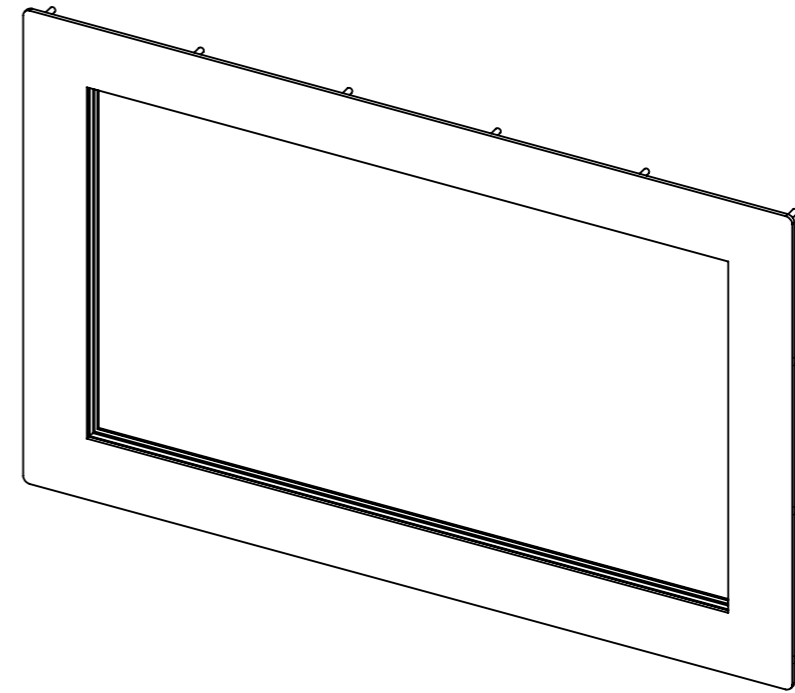
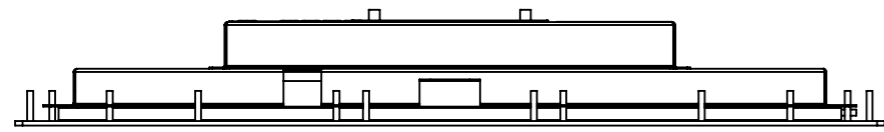
DATE		13-9-2023		DO NOT SCALE DRAWING		DIMENSIONS ARE IN MM	
REV.	DRAWN	FB		TFT/Solutions			
1	APPROVED	FB					
MATERIAL				DESCRIPTION			
				Assembly			
				PAGE NAME			
				Openframe			
FINISH				DWG NO.			A3
				TFT-22-OF6-00			
SCALE:1:5						SHEET 1 OF 5	



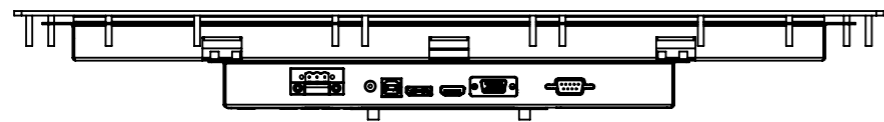
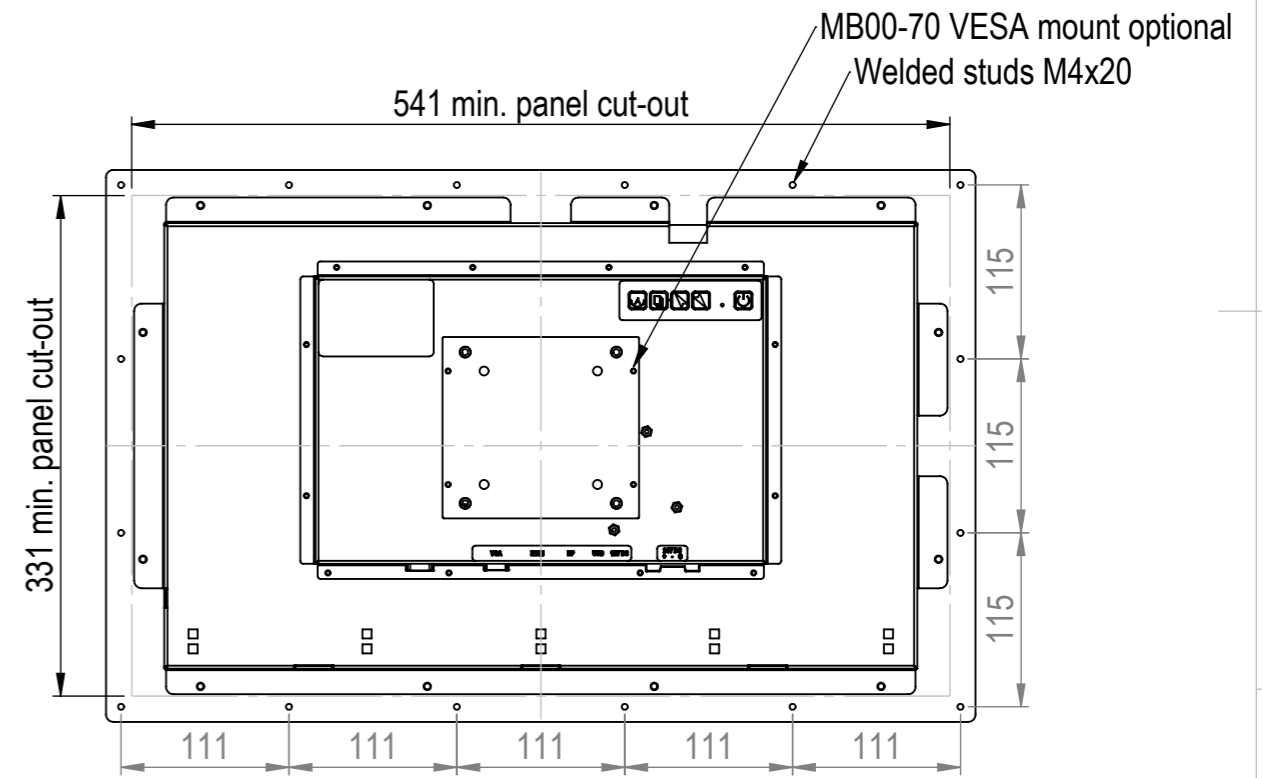
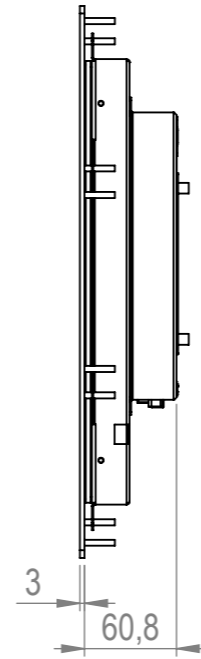
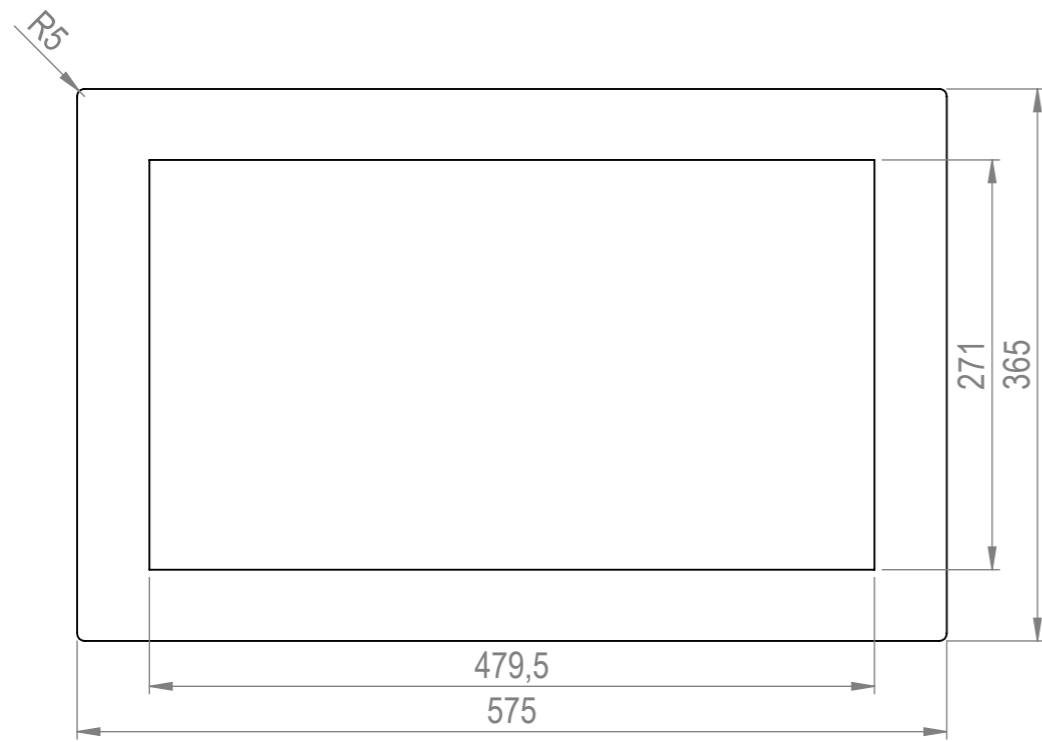
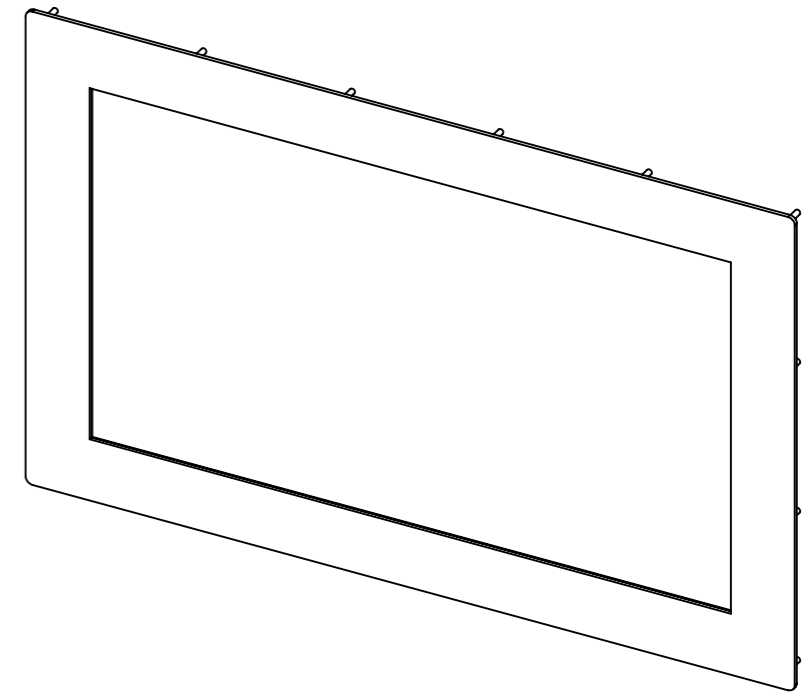
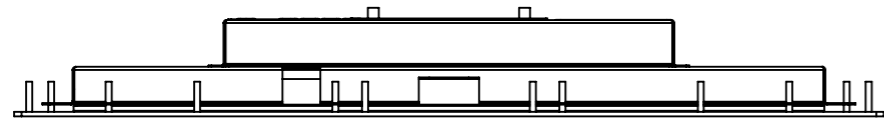
DATE		13-9-2023		DO NOT SCALE DRAWING		DIMENSIONS ARE IN MM	
REV.	DRAWN	FB		TFT/Solutions			
1	APPROVED	FB					
MATERIAL				DESCRIPTION			
				Assembly			
FINISH				PAGE NAME			
				IRtouch openframe			
				DWG NO.			A3
				TFT-22-OF6-IRU			
				SCALE:1:5		SHEET 2 OF 5	



DATE		13-9-2023		DO NOT SCALE DRAWING		DIMENSIONS ARE IN MM	
REV.	DRAWN	FB		TFT/Solutions			
1	APPROVED	FB					
MATERIAL				DESCRIPTION			
				Assembly			
FINISH				PAGE NAME			
				Resistive touch openframe			
				DWG NO.		A3	
				TFT-22-OF6-RU			
				SCALE:1:5		SHEET 3 OF 5	



DATE		13-9-2023		DO NOT SCALE DRAWING		DIMENSIONS ARE IN MM	
REV.	DRAWN	FB		TFT/Solutions			
1	APPROVED	FB					
MATERIAL				DESCRIPTION			
				Assembly			
FINISH				PAGE NAME			
				IRtouch panelmount			
				DWG NO.			A3
				TFT-22-OF6-IRU			
				SCALE:1:5		SHEET 4 OF 5	



DATE		13-9-2023		DO NOT SCALE DRAWING		DIMENSIONS ARE IN MM	
REV.	DRAWN	FB		TFT/Solutions			
1	APPROVED	FB					
MATERIAL				DESCRIPTION			
				Assembly			
FINISH				PAGE NAME			
				Resistive touch panelmount			
				DWG NO.			A3
				TFT-22-OF6-RU			
				SCALE:1:5		SHEET 5 OF 5	