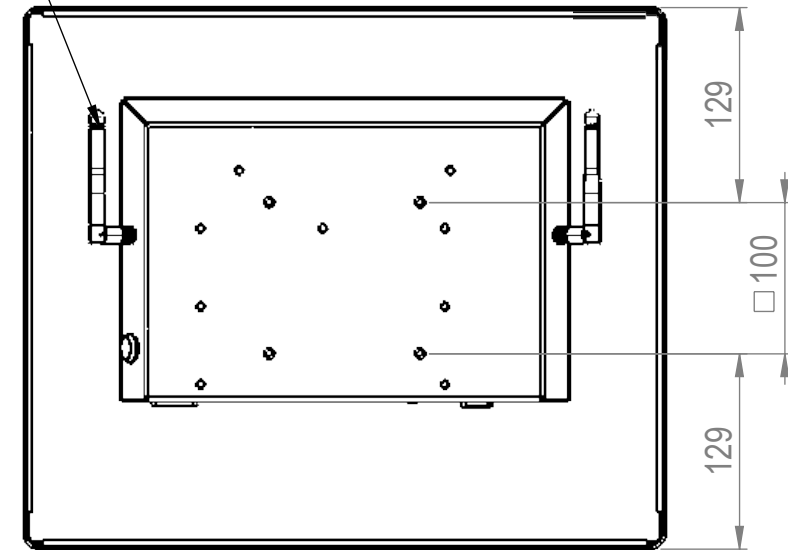
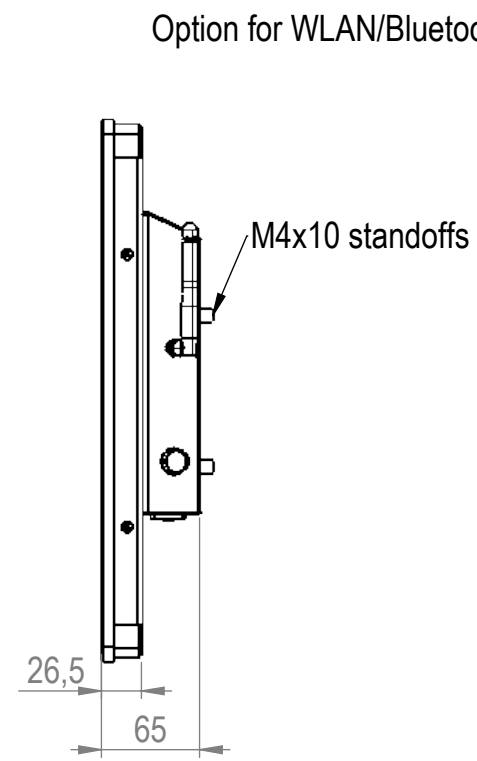
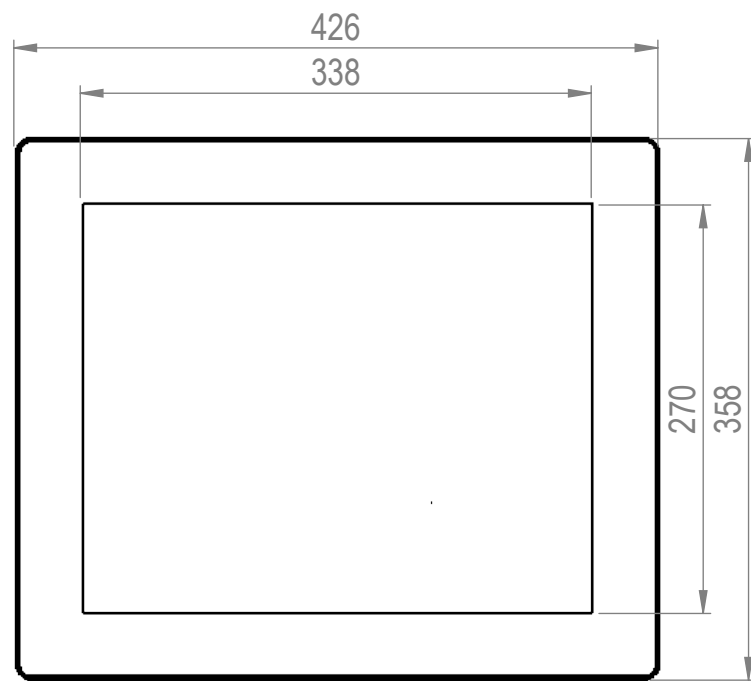
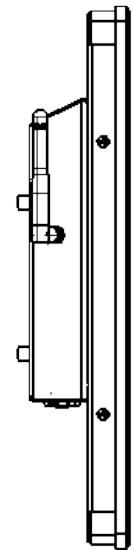
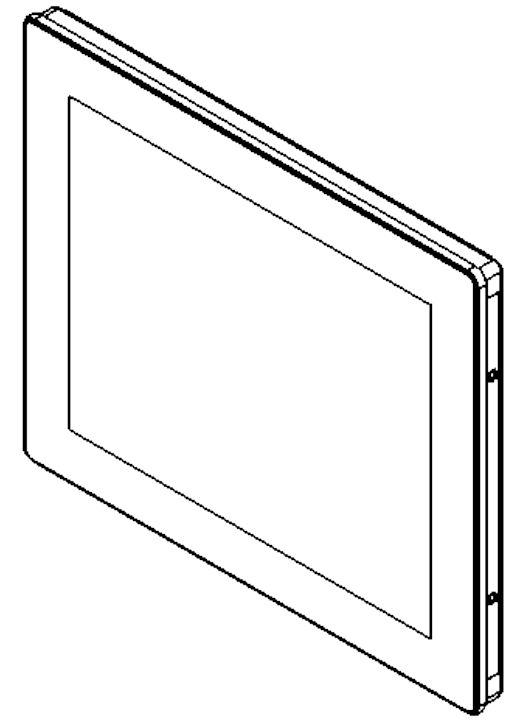
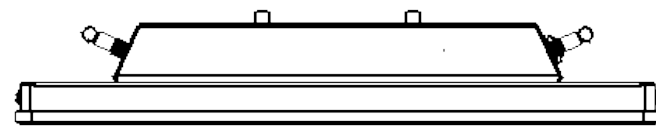
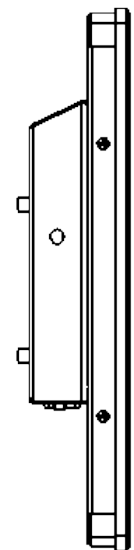
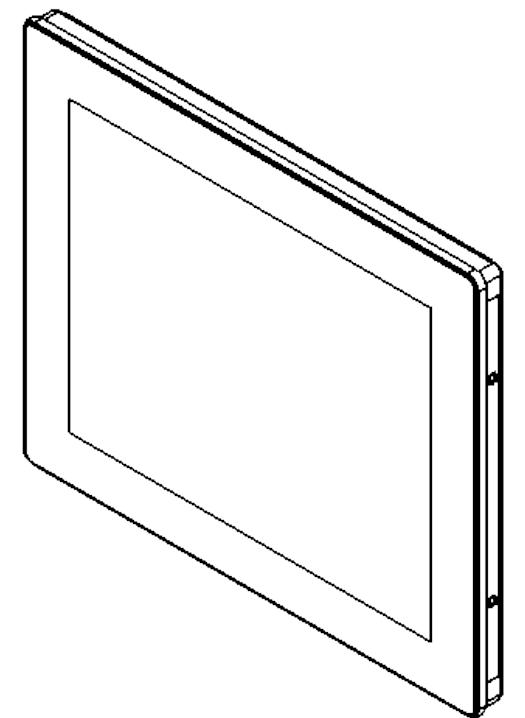
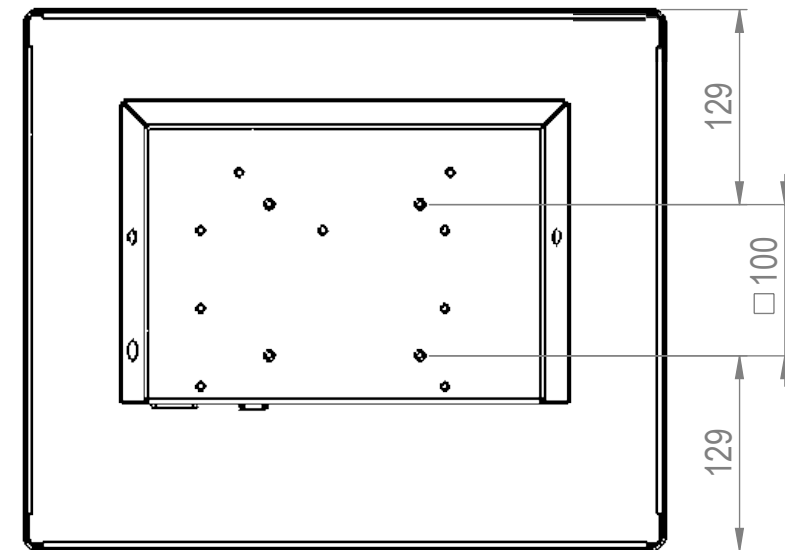
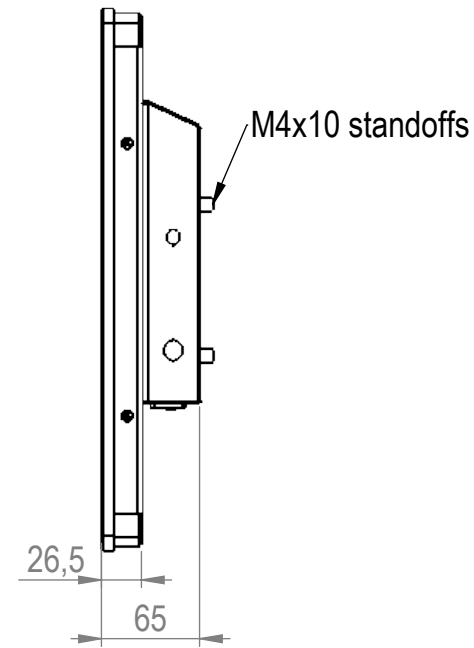
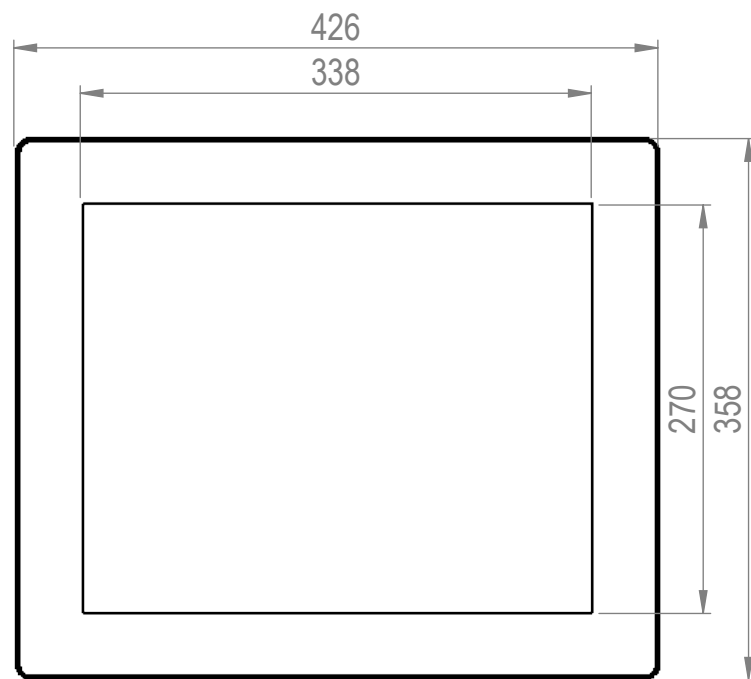
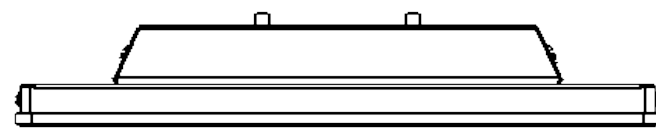


DATE		11-10-2023		DO NOT SCALE DRAWING		DIMENSIONS ARE IN MM	
REV.	DRAWN	AdJ		TFT/Solutions			
1-02	APPROVED	AdJ					
MATERIAL				DESCRIPTION			
				Assembly			
FINISH				PAGE NAME			
Powder coating RAL9005 fine texture				V170-C4, Celeron J6412			
				DWG NO.		A3	
				SCALE:1:5		SHEET 1 OF 3	
				V170-00			



DATE		11-10-2023		DO NOT SCALE DRAWING		DIMENSIONS ARE IN MM	
REV.	DRAWN	AdJ		TFT/Solutions			
1-02	APPROVED	AdJ					
MATERIAL				DESCRIPTION			
				Assembly			
FINISH				PAGE NAME			
Powder coating RAL9005 fine texture				V170-51, i5-8265U			
				DWG NO.		A3	
				SCALE:1:5		SHEET 2 OF 3	



DATE		11-10-2023		DO NOT SCALE DRAWING		DIMENSIONS ARE IN MM	
REV.	DRAWN	AdJ		TFT/Solutions			
1-02	APPROVED	AdJ					
MATERIAL				DESCRIPTION			
				Assembly			
FINISH				PAGE NAME			
Powder coating RAL9005 fine texture				V170-MON			
				DWG NO.		A3	
				V170-00			
				SCALE:1:5		SHEET 3 OF 3	