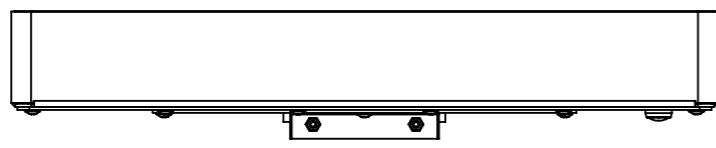
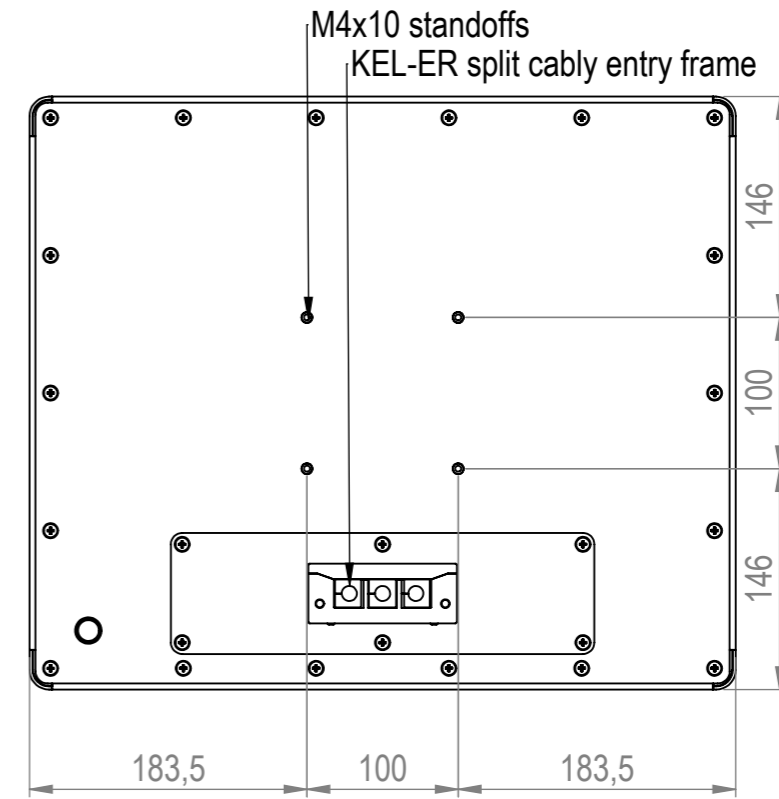
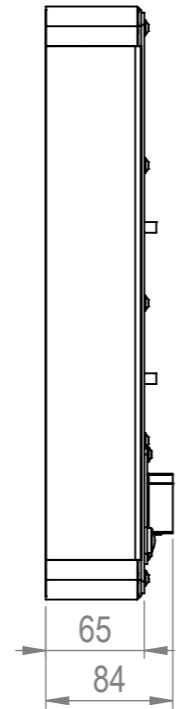
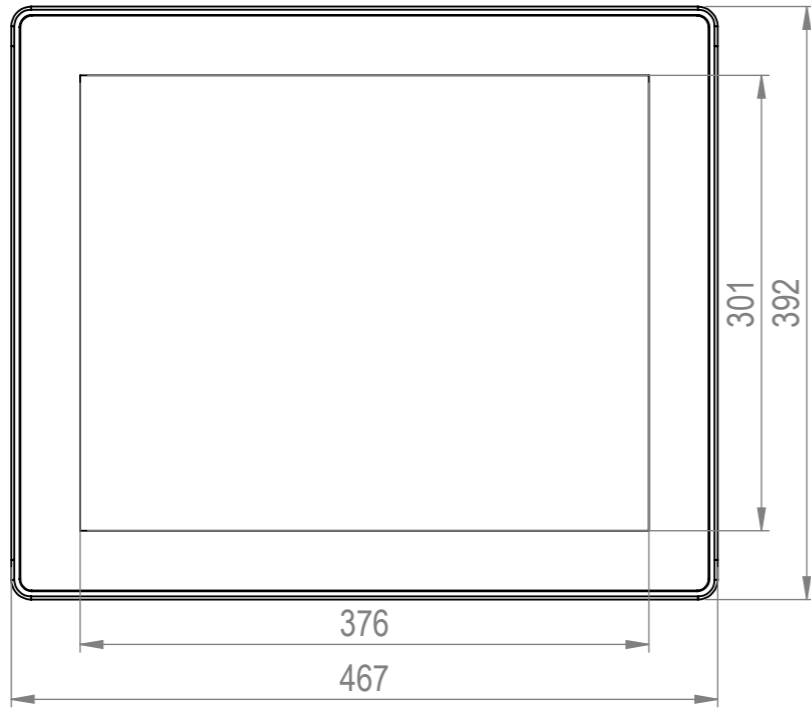
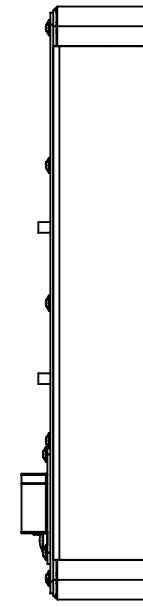
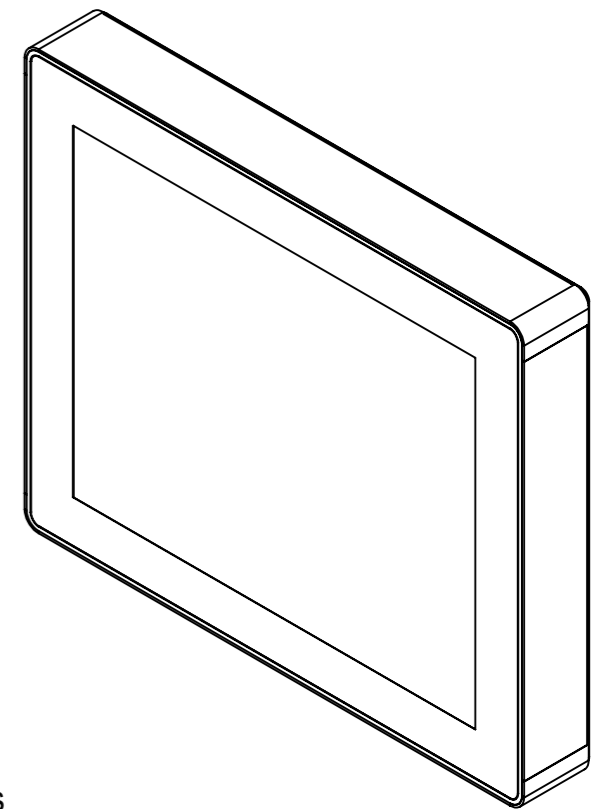
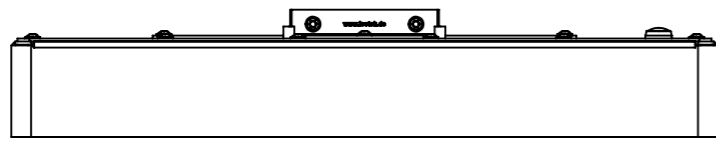


DATE		21-10-2023		DO NOT SCALE DRAWING		DIMENSIONS ARE IN MM	
REV.	DRAWN	FB		TFT/Solutions			
1	APPROVED	FB					
MATERIAL		SS316 housing Toughened glass		DESCRIPTION Assembly			
FINISH		Brushed		PAGE NAME K190-C4, Celeron J6412			
				DWG NO. K190-00			
				SCALE:1:5		SHEET 1 OF 2	
						A3	



DATE		21-10-2023		DO NOT SCALE DRAWING		DIMENSIONS ARE IN MM	
REV.	DRAWN	FB		TFT/Solutions			
1	APPROVED	FB					
MATERIAL		SS316 housing Toughened glass		DESCRIPTION Assembly			
FINISH		Brushed		PAGE NAME K190-MON			
				DWG NO. K190-00			
				SCALE:1:5			
				SHEET 2 OF 2			

A3