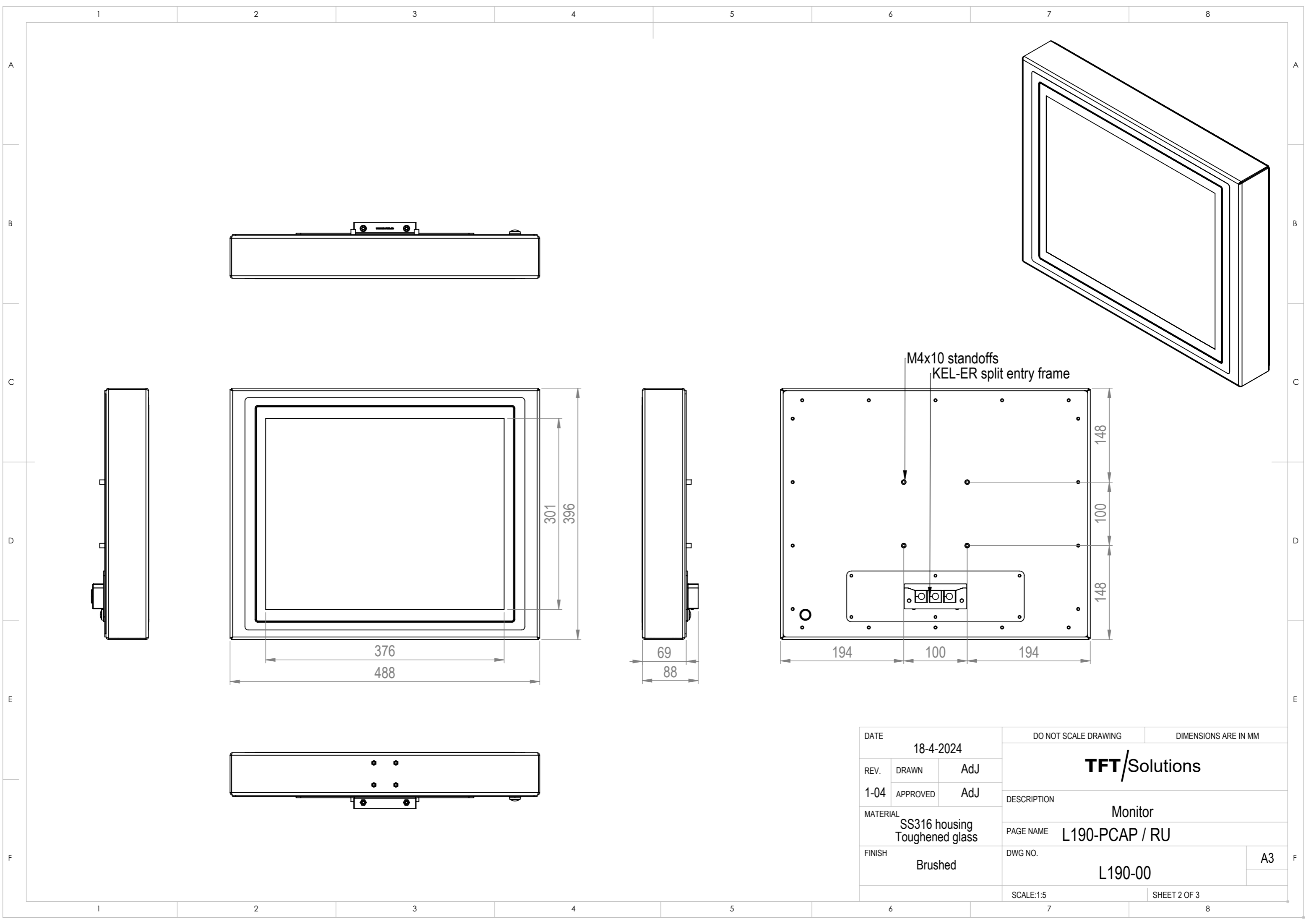
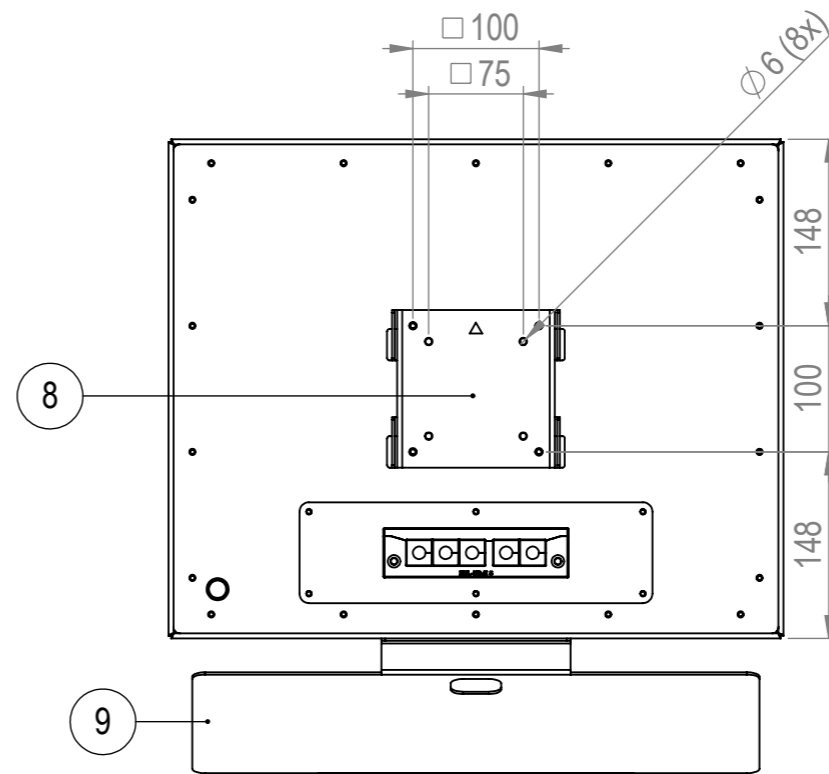
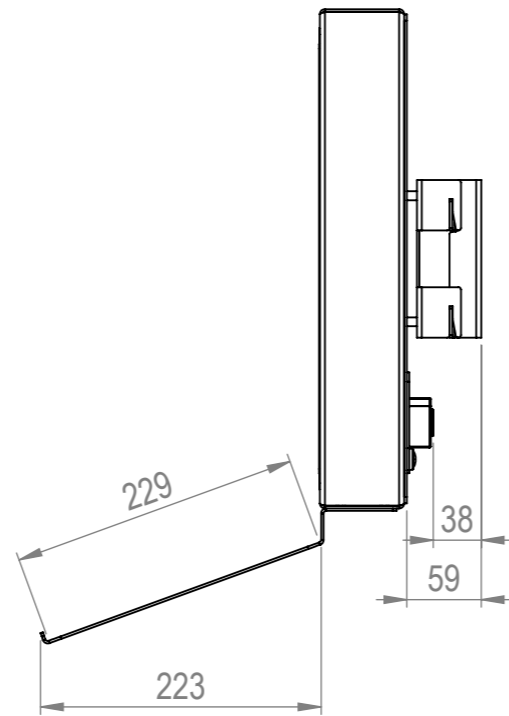
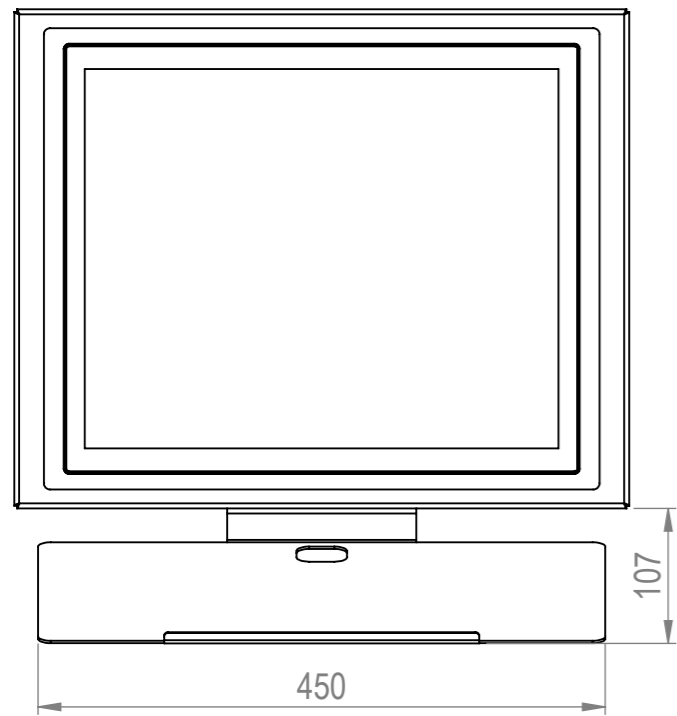
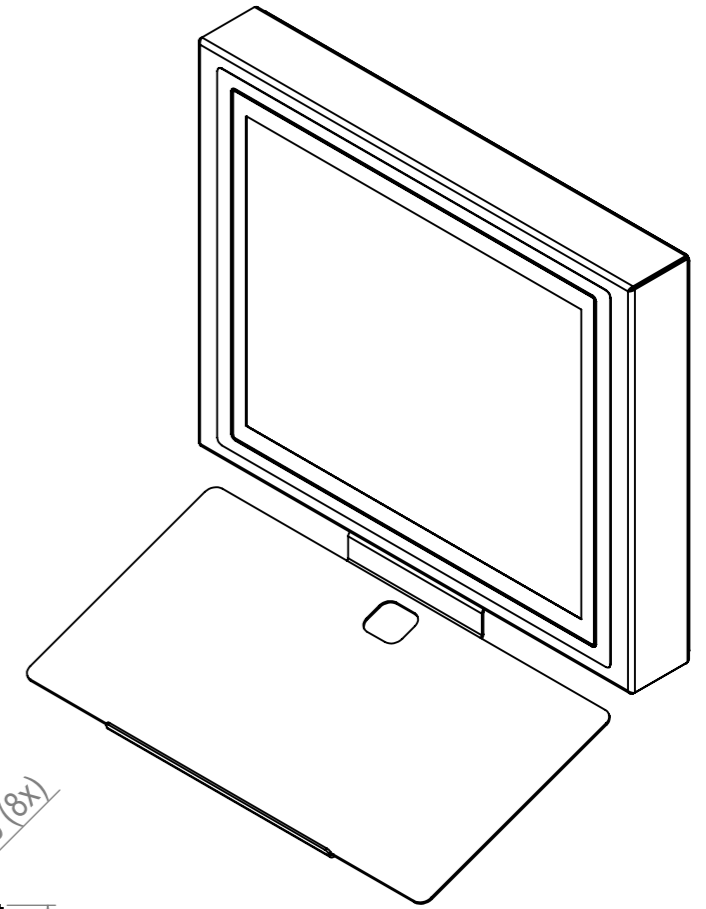


|          |          |                                  |  |                      |  |                      |  |
|----------|----------|----------------------------------|--|----------------------|--|----------------------|--|
| DATE     |          | 18-4-2024                        |  | DO NOT SCALE DRAWING |  | DIMENSIONS ARE IN MM |  |
| REV.     | DRAWN    | AdJ                              |  | <b>TFT/Solutions</b> |  |                      |  |
| 1-04     | APPROVED | AdJ                              |  |                      |  |                      |  |
| MATERIAL |          | SS316 housing<br>Toughened glass |  | DESCRIPTION          |  |                      |  |
| FINISH   |          | Brushed                          |  | PAGE NAME            |  |                      |  |
|          |          |                                  |  | L190-PCAP / RU       |  |                      |  |
|          |          |                                  |  | DWG NO.              |  |                      |  |
|          |          |                                  |  | L190-00              |  |                      |  |
|          |          |                                  |  | SCALE:1:5            |  |                      |  |
|          |          |                                  |  | SHEET 1 OF 3         |  |                      |  |
|          |          |                                  |  |                      |  | A3                   |  |



|          |          |                                  |  |                      |  |                      |  |                |  |
|----------|----------|----------------------------------|--|----------------------|--|----------------------|--|----------------|--|
| DATE     |          | 18-4-2024                        |  | DO NOT SCALE DRAWING |  | DIMENSIONS ARE IN MM |  |                |  |
| REV.     | DRAWN    | AdJ                              |  | <b>TFT/Solutions</b> |  |                      |  |                |  |
| 1-04     | APPROVED | AdJ                              |  |                      |  |                      |  |                |  |
| MATERIAL |          | SS316 housing<br>Toughened glass |  | DESCRIPTION          |  |                      |  | Monitor        |  |
| FINISH   |          | Brushed                          |  | PAGE NAME            |  |                      |  | L190-PCAP / RU |  |
|          |          |                                  |  | DWG NO.              |  |                      |  | L190-00        |  |
|          |          |                                  |  | SCALE:1:5            |  |                      |  | SHEET 2 OF 3   |  |
|          |          |                                  |  |                      |  |                      |  | A3             |  |

| ITEM NO. | PART NUMBER                         | QTY. |
|----------|-------------------------------------|------|
| 8        | WM04-00 Wallmount                   | 1    |
| 9        | MB-KBPL-05 Keyboardplateau fullsize | 1    |



|                                  |          |           |  |                            |  |                      |  |
|----------------------------------|----------|-----------|--|----------------------------|--|----------------------|--|
| DATE                             |          | 18-4-2024 |  | DO NOT SCALE DRAWING       |  | DIMENSIONS ARE IN MM |  |
| REV.                             | DRAWN    | AdJ       |  | <b>TFT/Solutions</b>       |  |                      |  |
| 1-04                             | APPROVED | AdJ       |  |                            |  |                      |  |
| MATERIAL                         |          |           |  | DESCRIPTION                |  |                      |  |
| SS316 housing<br>Toughened glass |          |           |  | PAGE NAME L190 Accessories |  |                      |  |
| FINISH                           |          |           |  | DWG NO.                    |  | A3                   |  |
| Brushed                          |          |           |  | L190-00                    |  |                      |  |
| SCALE:1:6                        |          |           |  |                            |  | SHEET 3 OF 3         |  |