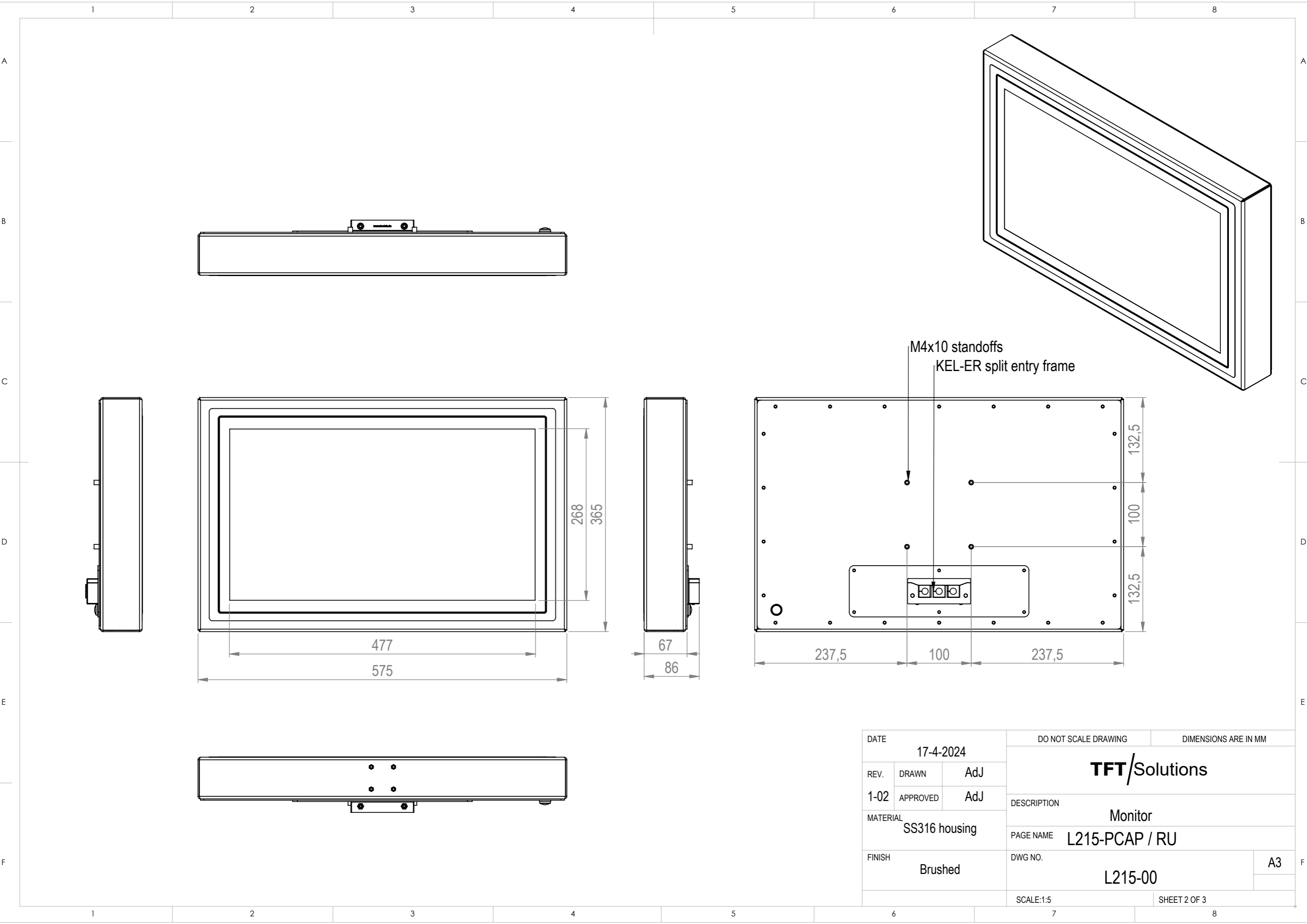
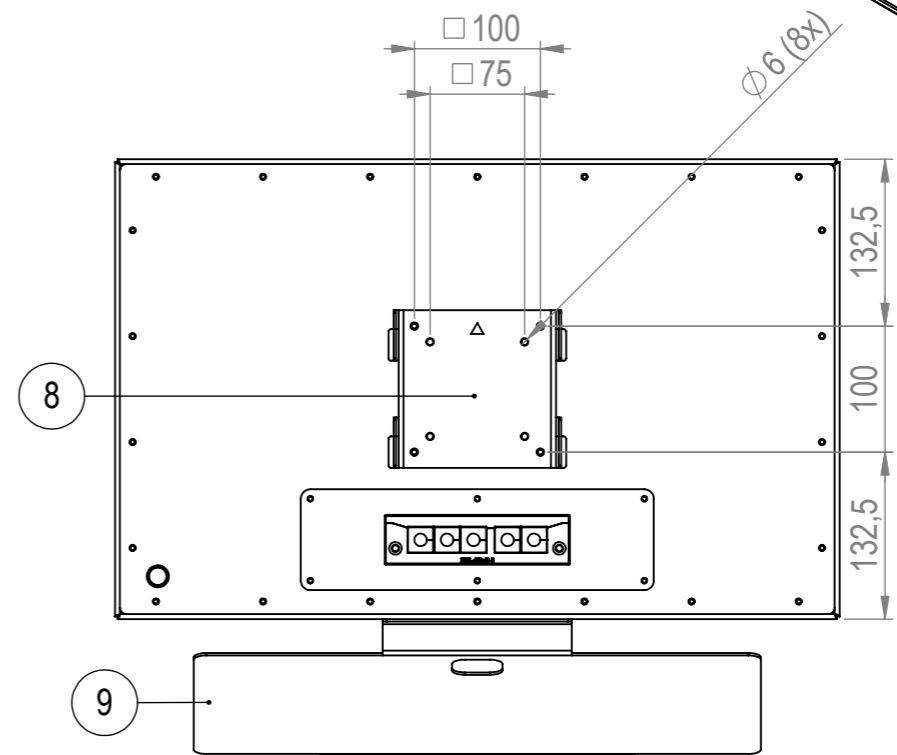
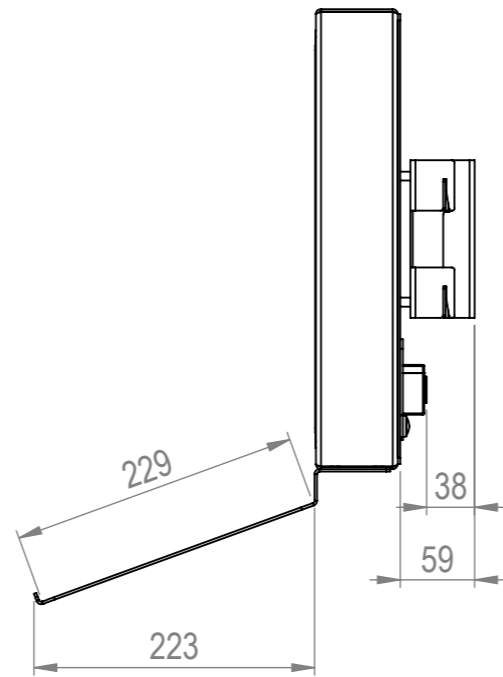
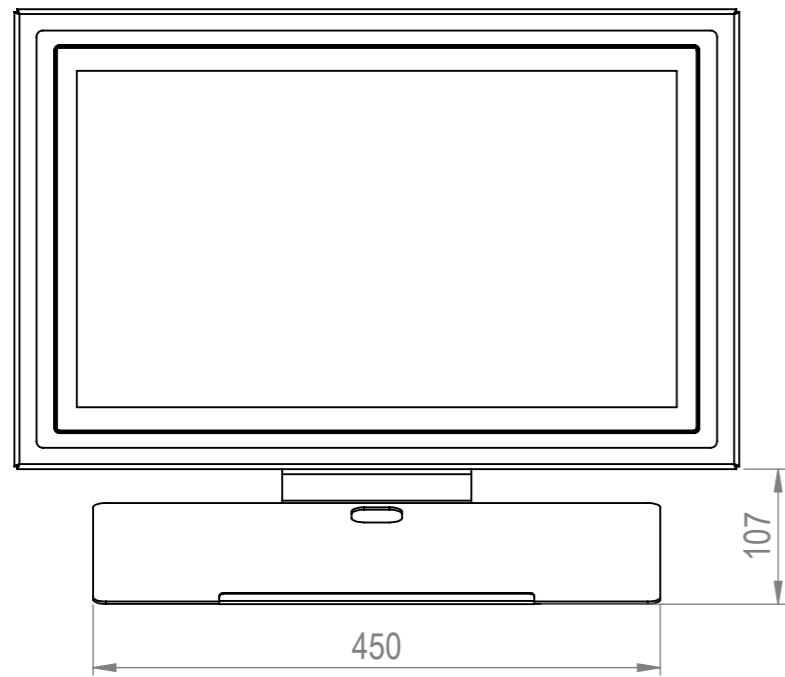
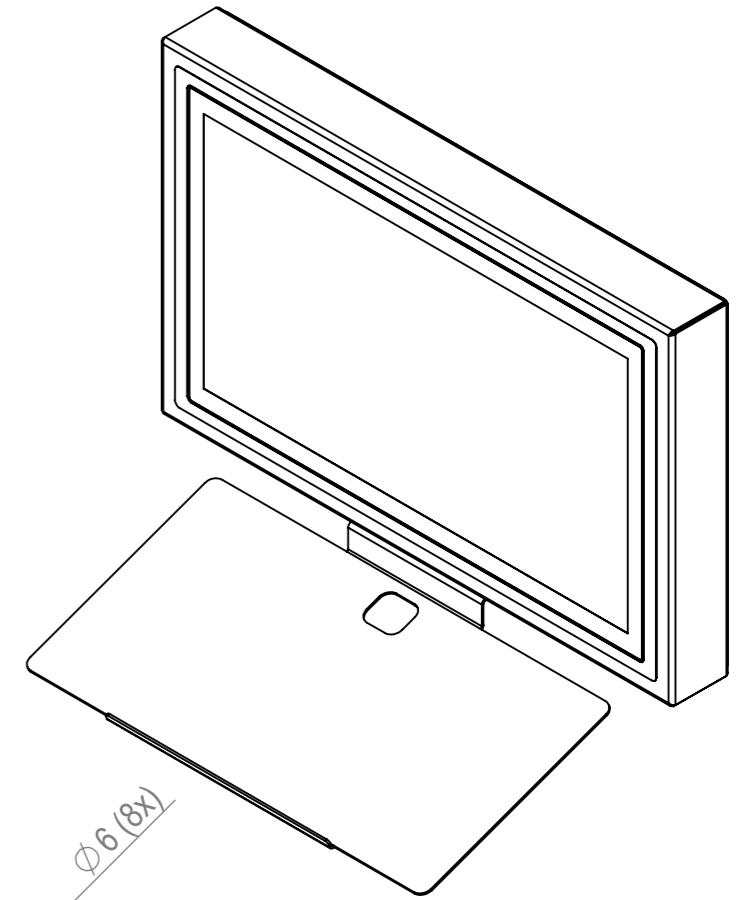


DATE		17-4-2024		DO NOT SCALE DRAWING		DIMENSIONS ARE IN MM	
REV.	DRAWN	AdJ		TFT/Solutions			
1-02	APPROVED	AdJ					
MATERIAL		SS316 housing		DESCRIPTION			
FINISH		Brushed		PAGE NAME			
				L215-PCAP / RU			
				DWG NO.			
				L215-00			
				SCALE:1:5		SHEET 1 OF 3	
						A3	



DATE		17-4-2024		DO NOT SCALE DRAWING		DIMENSIONS ARE IN MM	
REV.	DRAWN	AdJ		TFT/Solutions			
1-02	APPROVED	AdJ					
MATERIAL		SS316 housing		DESCRIPTION			
FINISH		Brushed		PAGE NAME			
				Monitor			
				L215-PCAP / RU			
				DWG NO.			
				L215-00			
				SCALE:1:5		SHEET 2 OF 3	
						A3	

ITEM NO.	PART NUMBER	QTY.
8	WM04-00 Wallmount	1
9	MB-KBPL-05 Keyboardplateau fullsize	1



DATE		17-4-2024		DO NOT SCALE DRAWING		DIMENSIONS ARE IN MM	
REV.	DRAWN	AdJ		TFT/Solutions			
1-02	APPROVED	AdJ					
MATERIAL		SS316 housing		DESCRIPTION			
FINISH		Brushed		PAGE NAME		L215 Accessories	
				DWG NO.		L215-00	
				SCALE:1:6		SHEET 3 OF 3	
						A3	