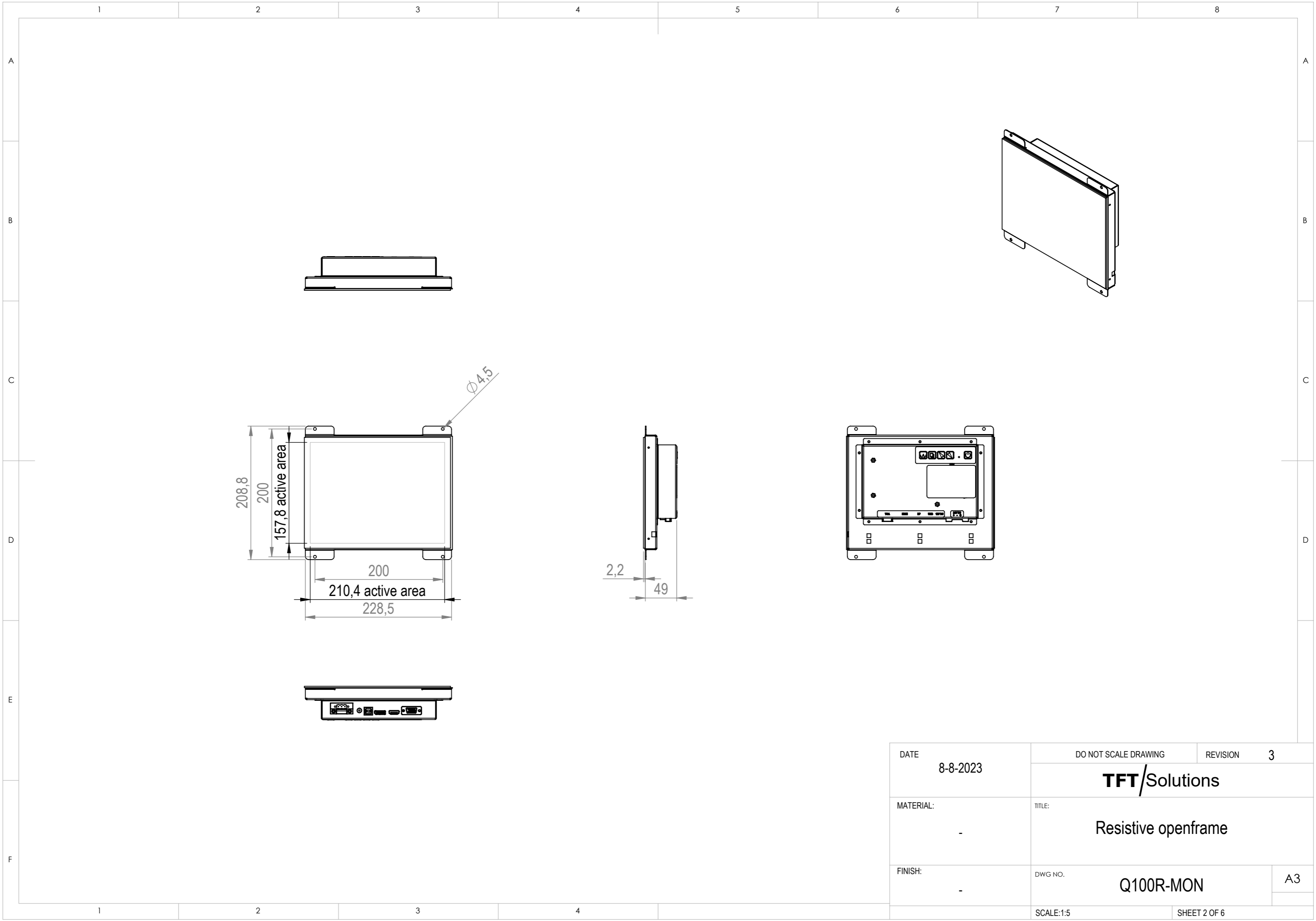
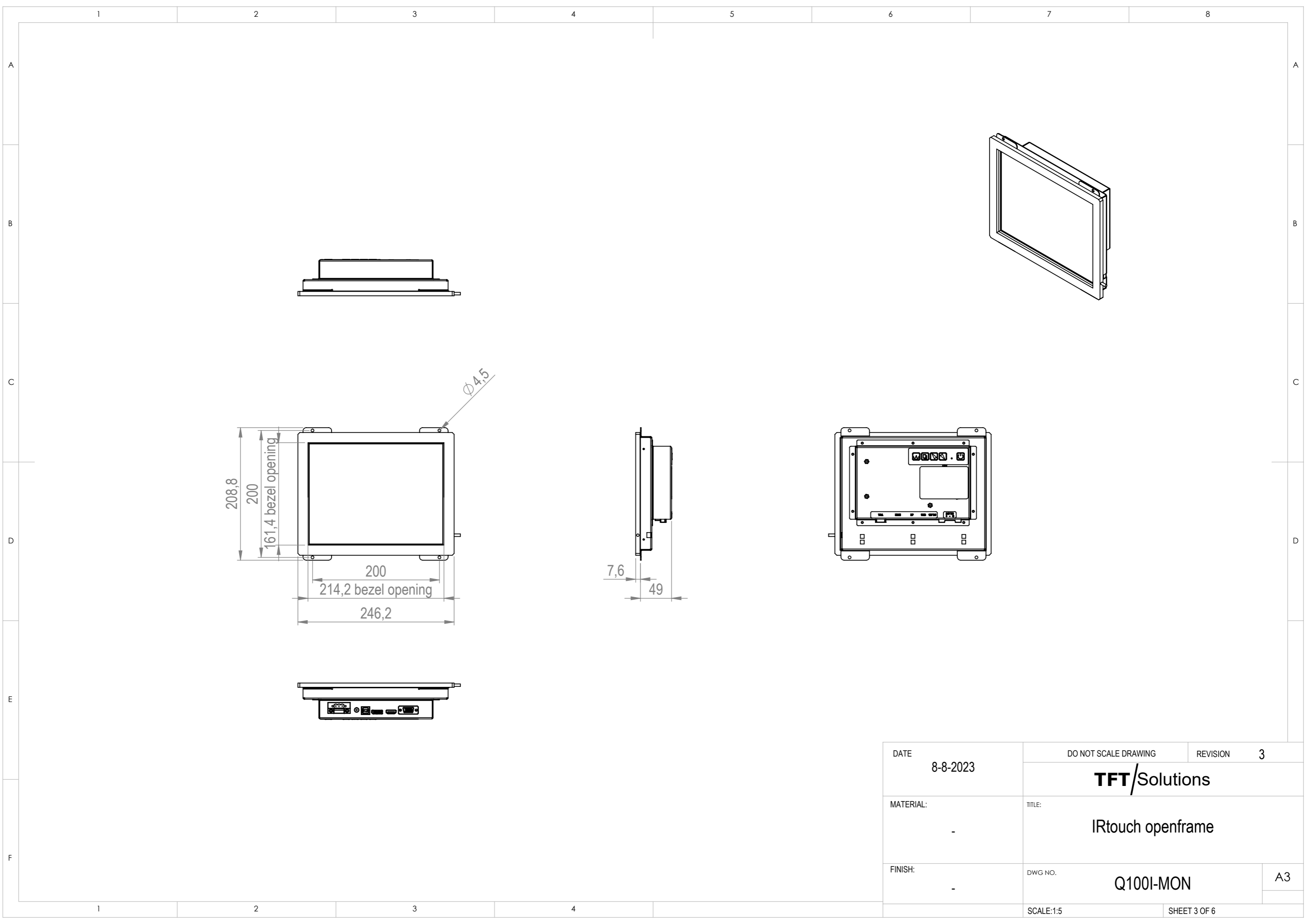


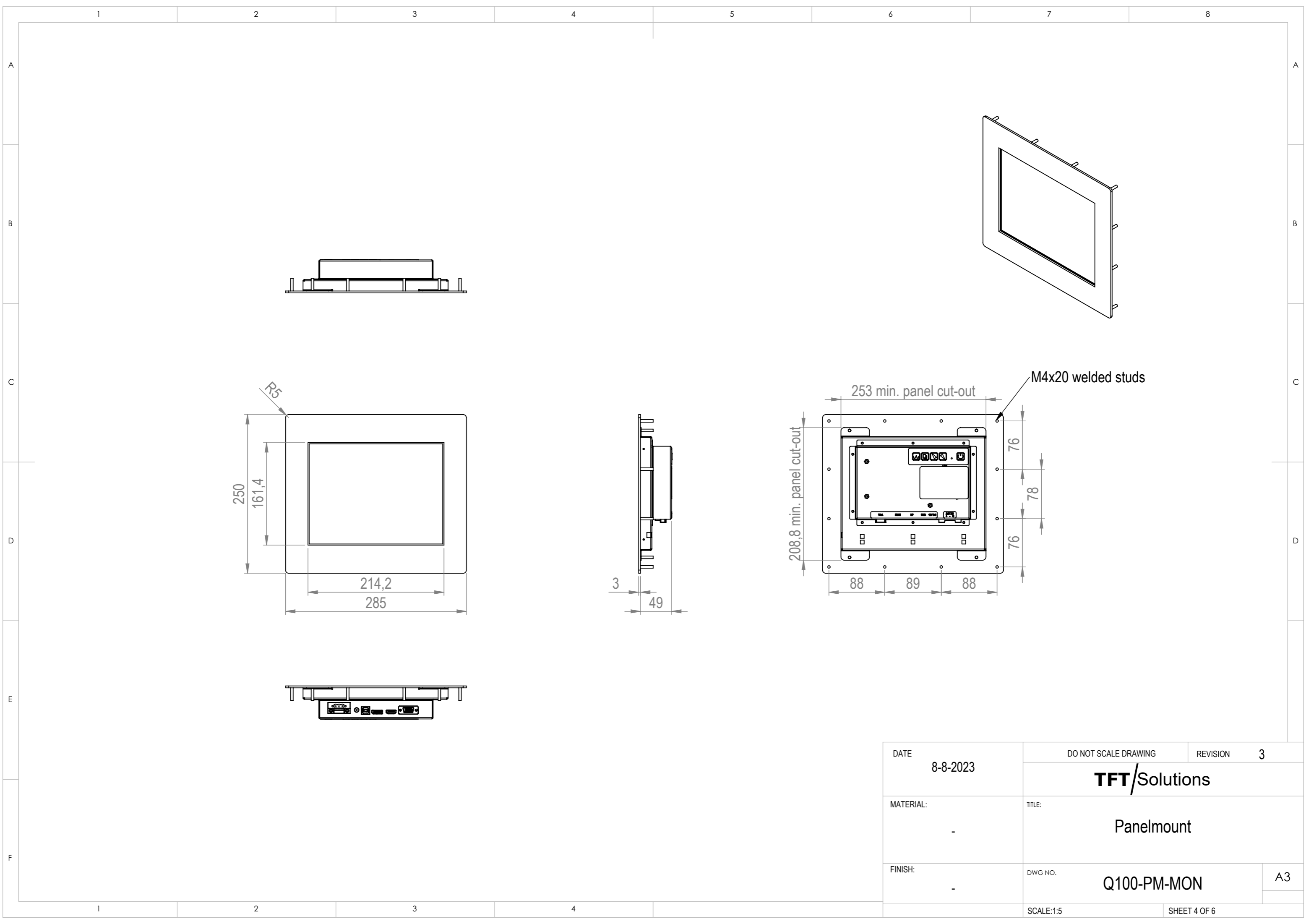
| | | | | |
|-----------|----------|----------------------|--------------|----|
| DATE | 8-8-2023 | DO NOT SCALE DRAWING | REVISION | 3 |
| | | TFT/Solutions | | |
| MATERIAL: | - | TITLE: | Openframe | |
| FINISH: | - | DWG NO. | Q100-MON | A3 |
| | | SCALE:1:5 | SHEET 1 OF 6 | |



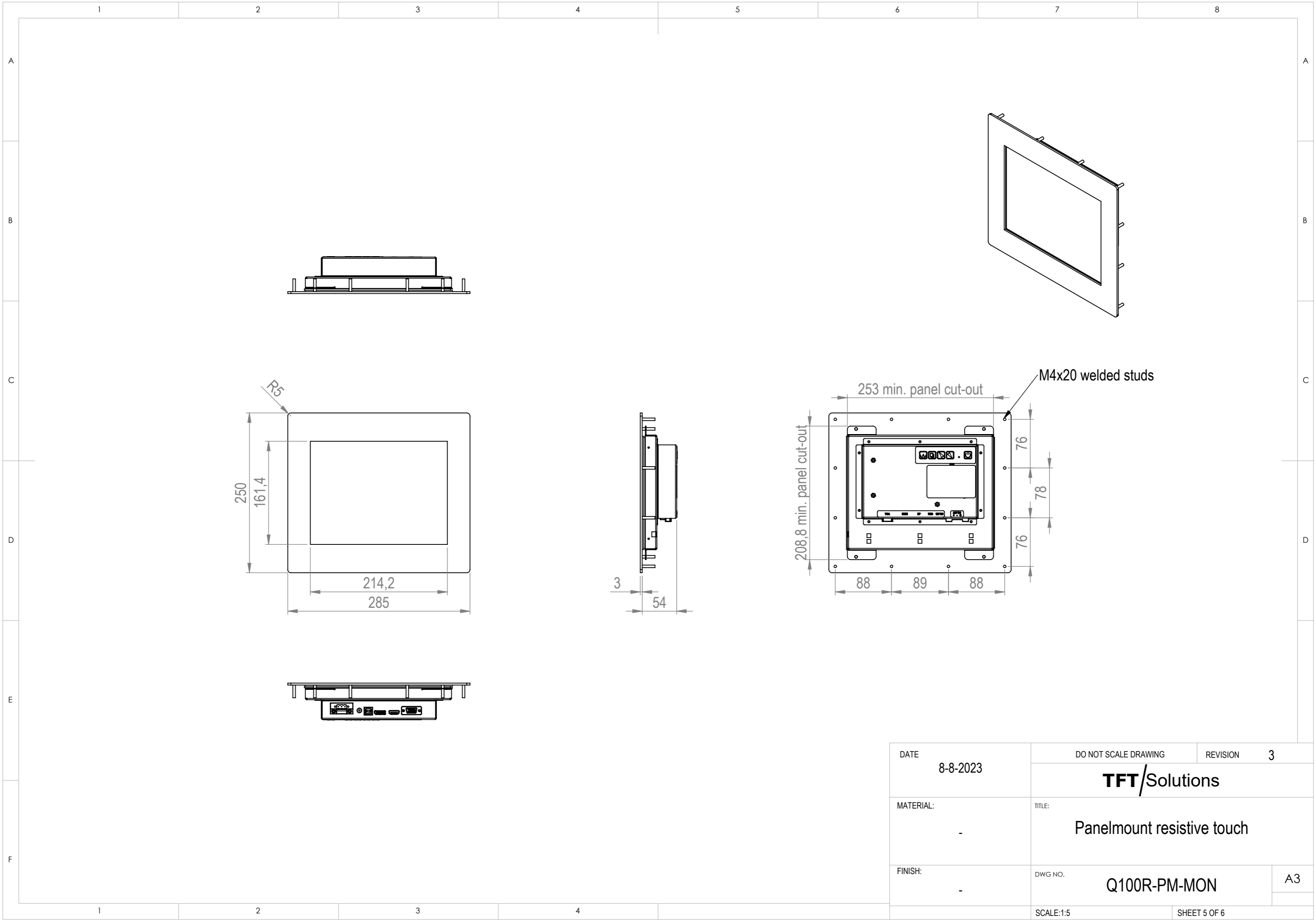
| | | | | |
|-----------|----------|-------------------------------|--------------|----|
| DATE | 8-8-2023 | DO NOT SCALE DRAWING | REVISION | 3 |
| | | TFT/Solutions | | |
| MATERIAL: | - | TITLE: Resistive openframe | | |
| FINISH: | - | DWG NO. | Q100R-MON | |
| | | SCALE:1:5 | SHEET 2 OF 6 | |
| | | | | A3 |



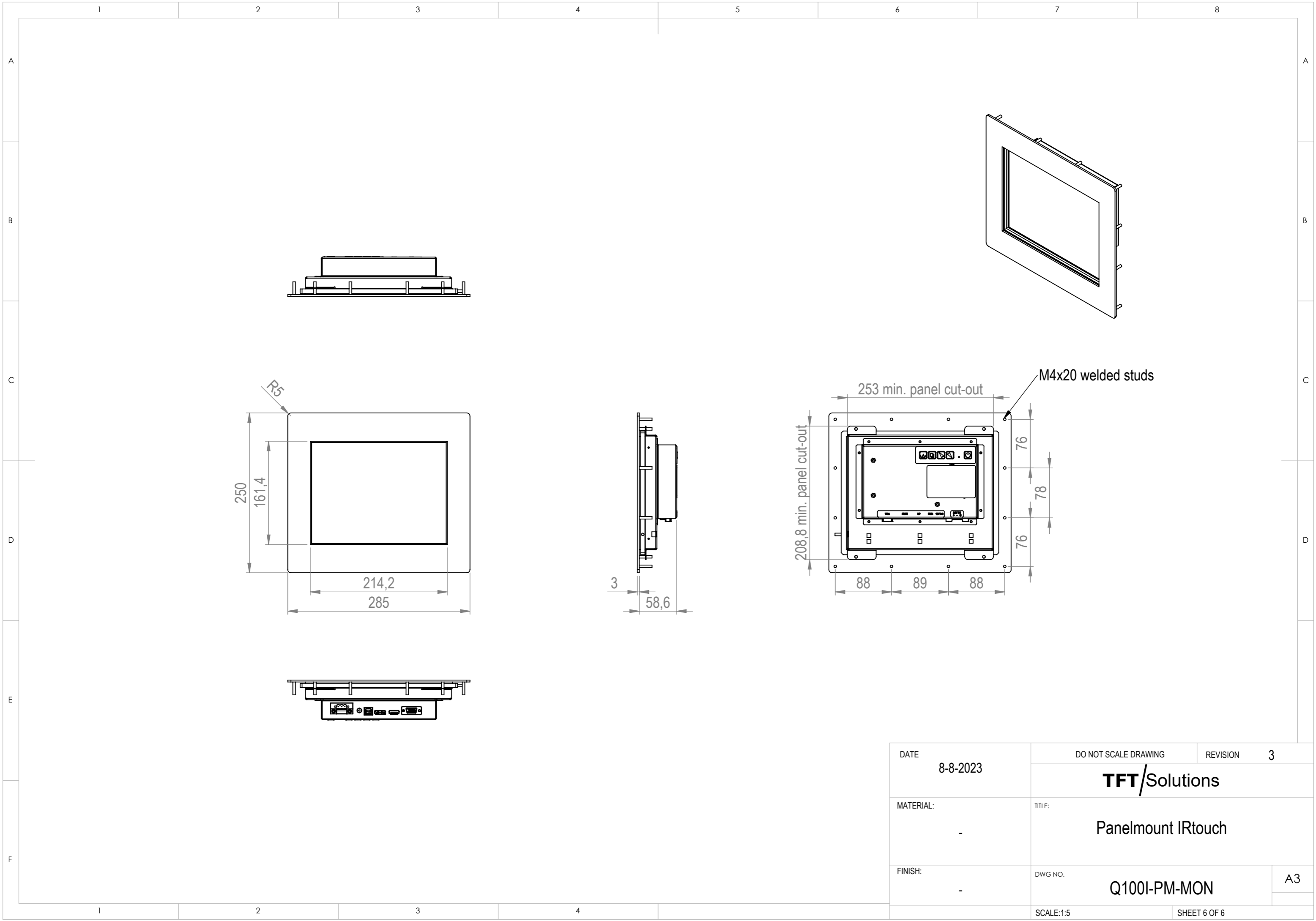
| | | | | |
|-----------|----------|-----------------------------|--------------|----|
| DATE | 8-8-2023 | DO NOT SCALE DRAWING | REVISION | 3 |
| | | TFT/Solutions | | |
| MATERIAL: | - | TITLE: IRtouch openframe | | |
| FINISH: | - | DWG NO. | Q100I-MON | A3 |
| | | SCALE:1:5 | SHEET 3 OF 6 | |



| | | | | |
|-----------|----------|----------------------|--------------|----|
| DATE | 8-8-2023 | DO NOT SCALE DRAWING | REVISION | 3 |
| | | TFT/Solutions | | |
| MATERIAL: | - | TITLE: Panelmount | | |
| FINISH: | - | DWG NO. | Q100-PM-MON | A3 |
| | | SCALE: 1:5 | SHEET 4 OF 6 | |



| | | | | |
|-----------|----------|--------------------------------------|--------------|----|
| DATE | 8-8-2023 | DO NOT SCALE DRAWING | REVISION | 3 |
| | | TFT/Solutions | | |
| MATERIAL: | - | TITLE: Panelmount resistive touch | | |
| FINISH: | - | DWG NO. | Q100R-PM-MON | A3 |
| | | SCALE:1:5 | SHEET 5 OF 6 | |



| | | | | |
|-----------|----------|------------------------------|--------------|----|
| DATE | 8-8-2023 | DO NOT SCALE DRAWING | REVISION | 3 |
| | | TFT/Solutions | | |
| MATERIAL: | - | TITLE: Panelmount IRtouch | | |
| FINISH: | - | DWG NO. | Q100I-PM-MON | |
| | | SCALE:1:5 | SHEET 6 OF 6 | |
| | | | | A3 |