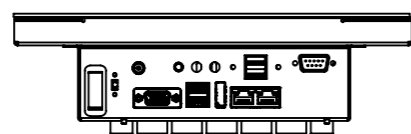
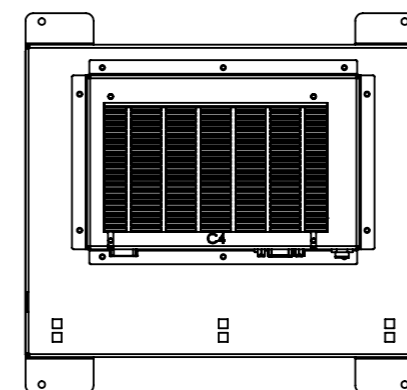
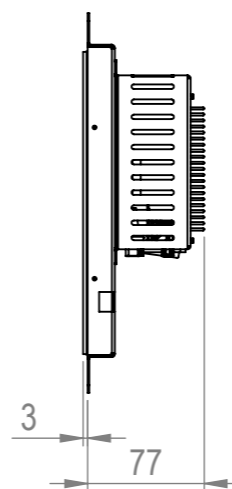
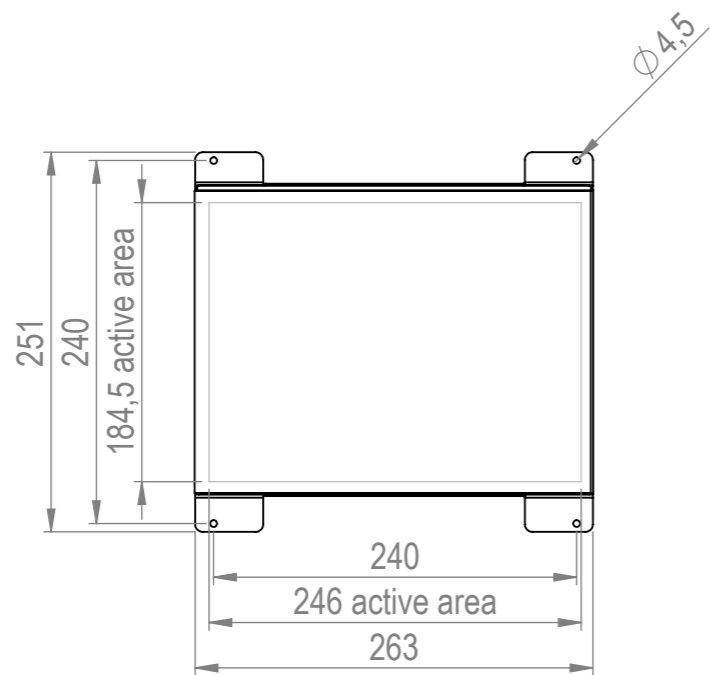
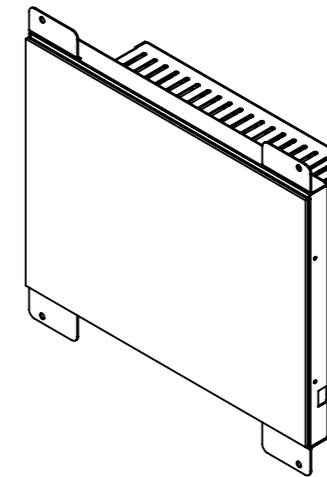
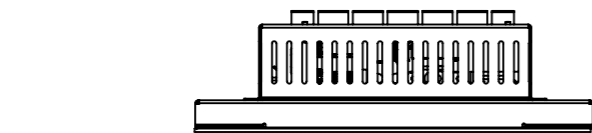
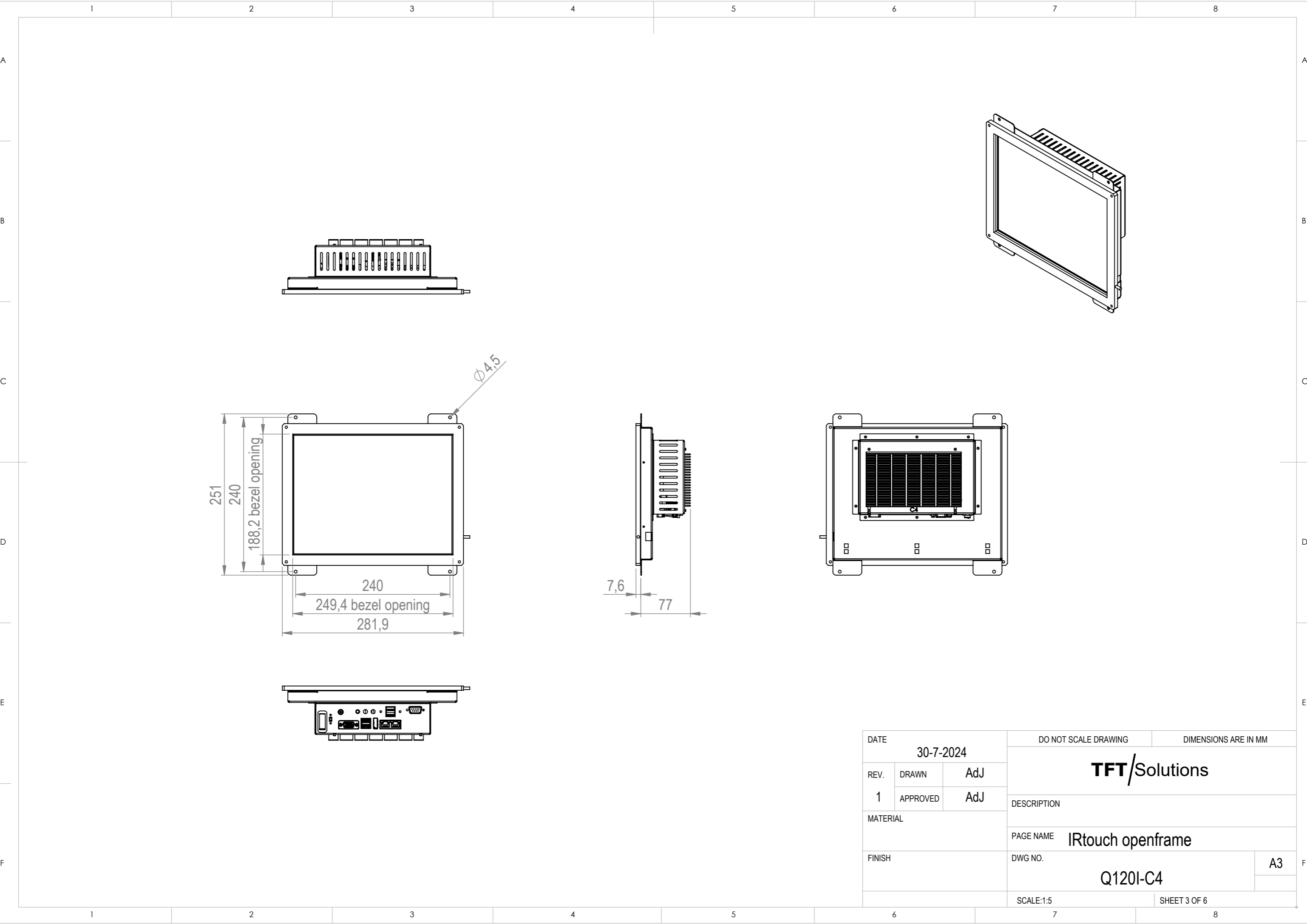


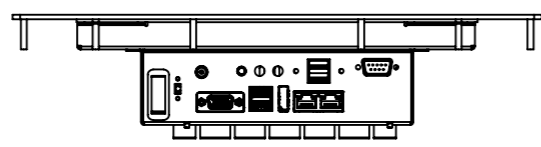
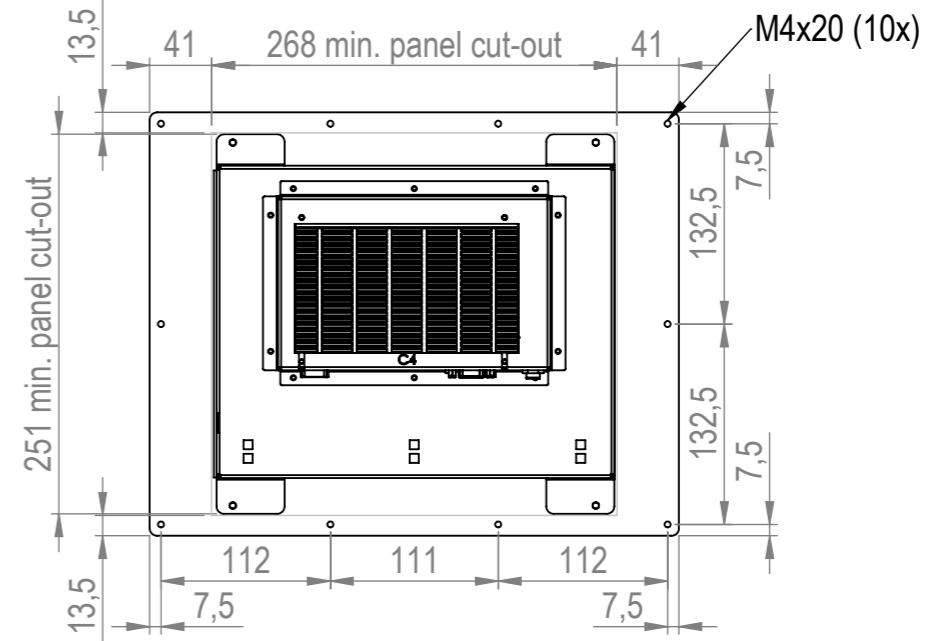
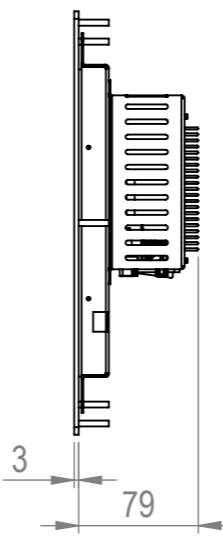
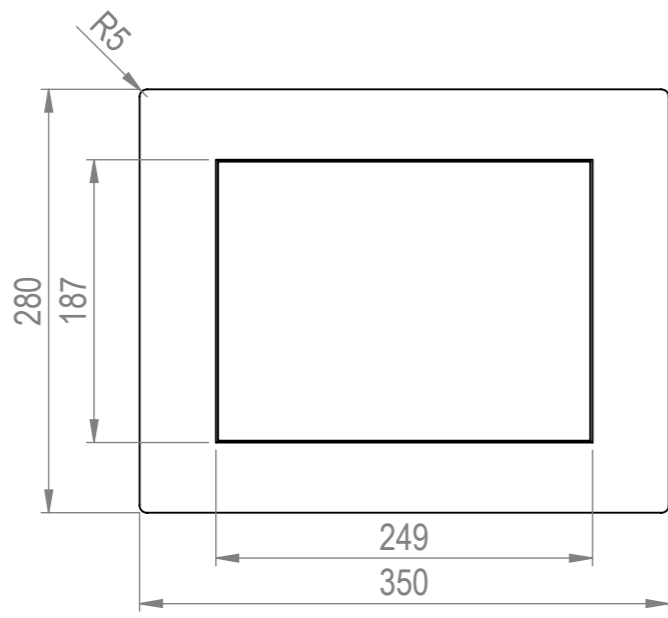
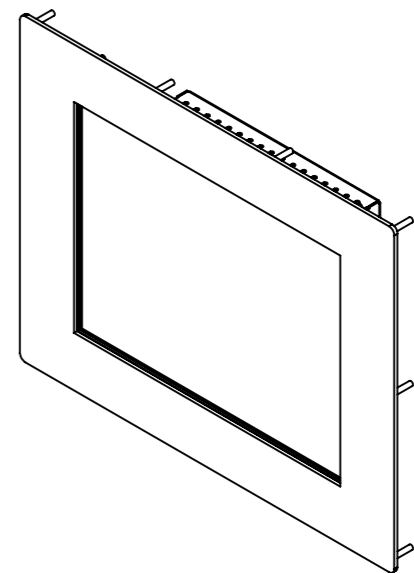
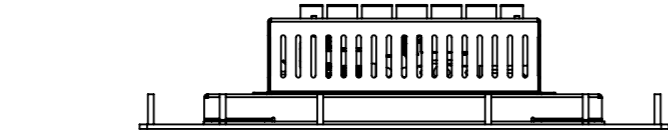
DATE		30-7-2024		DO NOT SCALE DRAWING		DIMENSIONS ARE IN MM	
REV.	DRAWN	AdJ		TFT/Solutions			
1	APPROVED	AdJ					
MATERIAL				DESCRIPTION			
FINISH				PAGE NAME			A3
				Openframe			
				DWG NO.			Q120-C4
				SCALE:1:5		SHEET 1 OF 6	



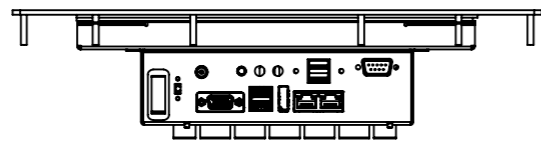
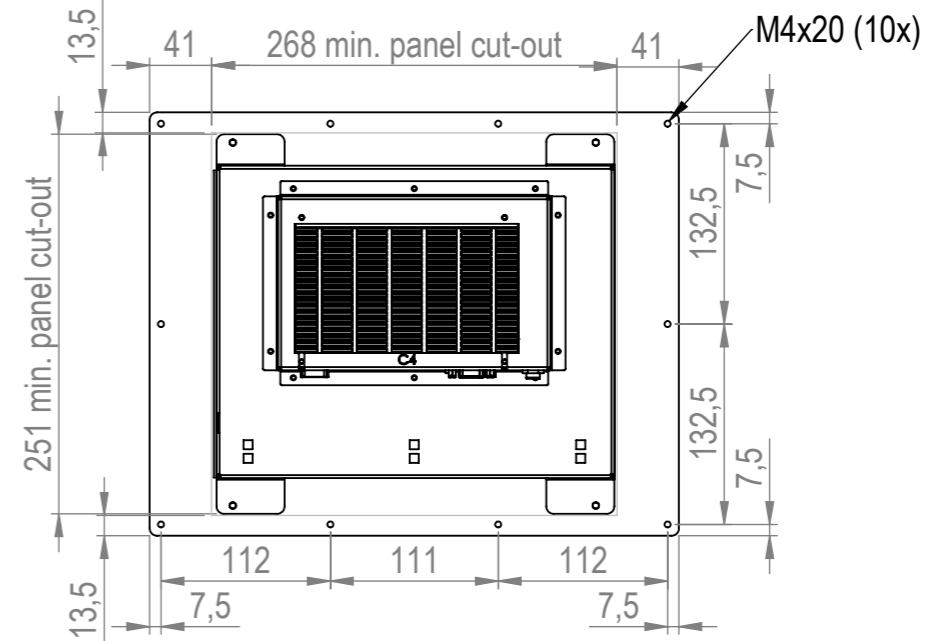
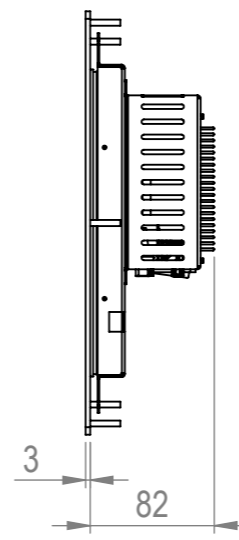
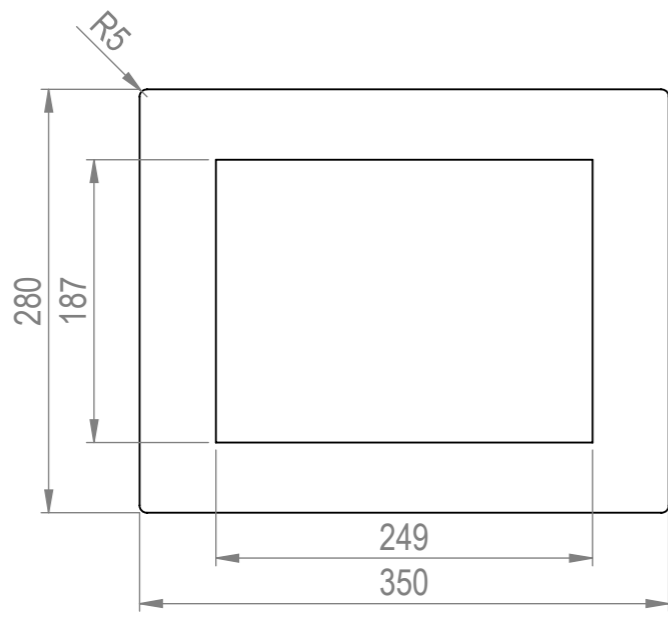
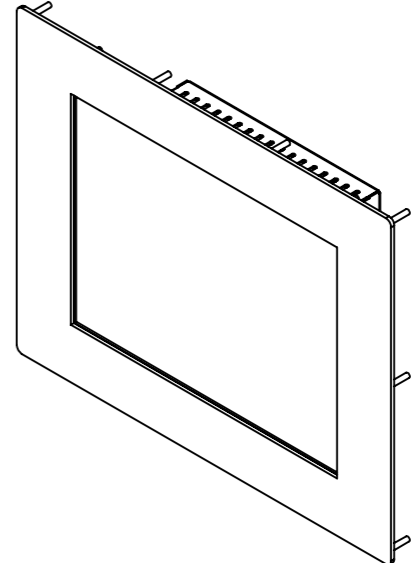
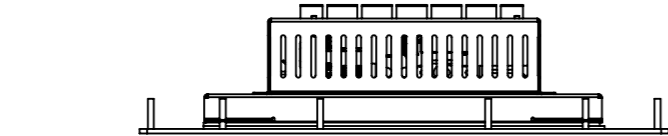
DATE		30-7-2024		DO NOT SCALE DRAWING		DIMENSIONS ARE IN MM	
REV.	DRAWN	AdJ		TFT/Solutions			
1	APPROVED	AdJ					
MATERIAL				DESCRIPTION			
FINISH				PAGE NAME			A3
				Resistive openframe			
				DWG NO.			Q120R-C4
				SCALE:1:5		SHEET 2 OF 6	



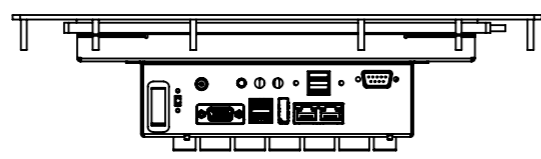
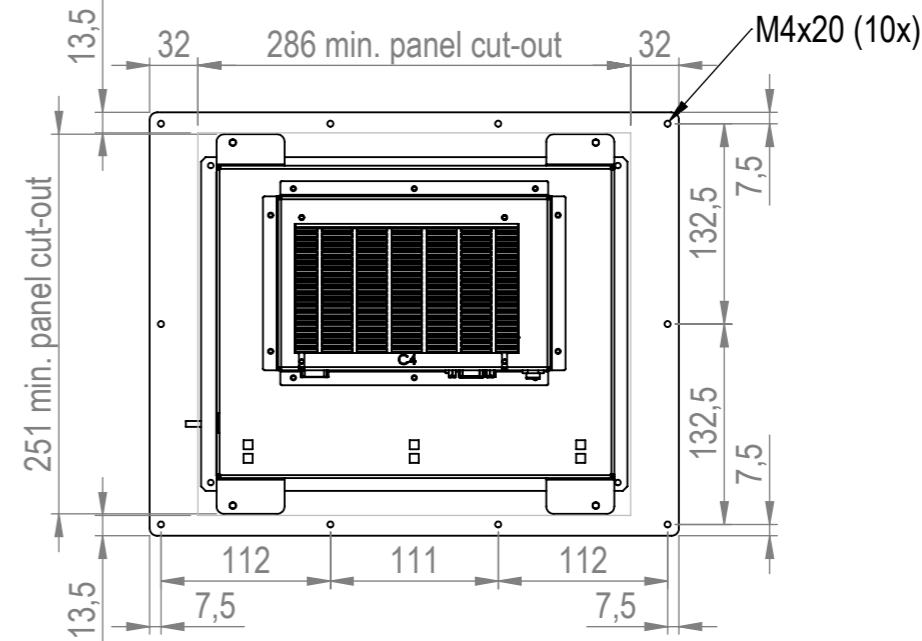
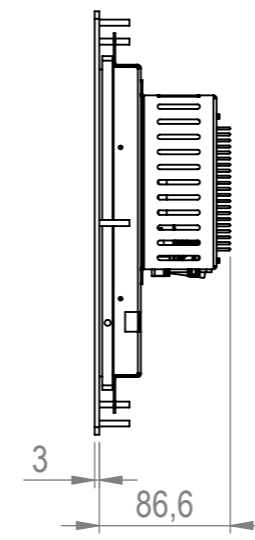
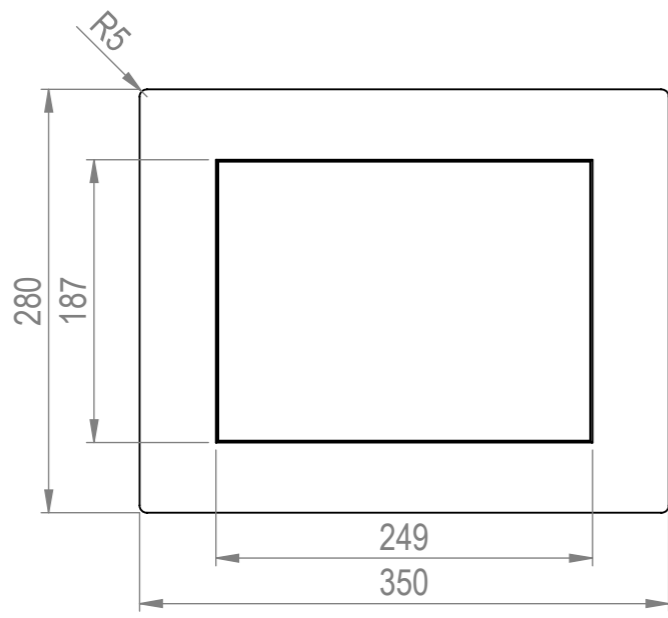
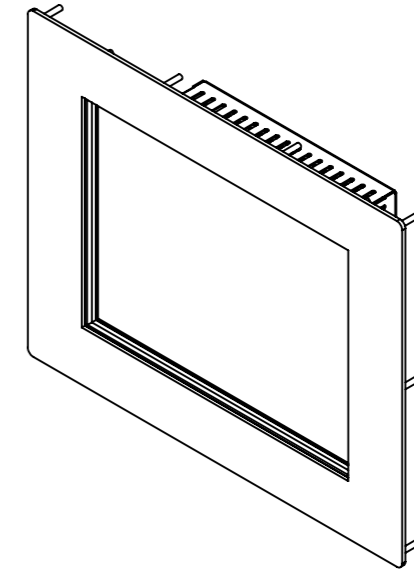
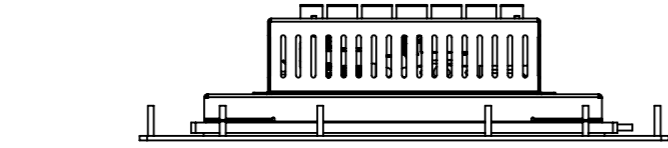
DATE		30-7-2024		DO NOT SCALE DRAWING		DIMENSIONS ARE IN MM	
REV.	DRAWN	AdJ		TFT/Solutions			
1	APPROVED	AdJ					
MATERIAL				DESCRIPTION			
FINISH				PAGE NAME			A3
				IRtouch openframe			
				DWG NO.			Q120I-C4
				SCALE:1:5		SHEET 3 OF 6	



DATE		30-7-2024		DO NOT SCALE DRAWING		DIMENSIONS ARE IN MM	
REV.	DRAWN	AdJ		TFT/Solutions			
1	APPROVED	AdJ					
MATERIAL				DESCRIPTION			
FINISH				PAGE NAME			A3
				Panelmount			
				DWG NO.			Q120-PM-C4
				SCALE:1:5		SHEET 4 OF 6	



DATE		30-7-2024		DO NOT SCALE DRAWING		DIMENSIONS ARE IN MM	
REV.	DRAWN	AdJ		TFT/Solutions			
1	APPROVED	AdJ					
MATERIAL				DESCRIPTION			
FINISH				PAGE NAME			A3
				Panelmount resistive			
				DWG NO.			
				Q120R-PM-C4			
				SCALE:1:5		SHEET 5 OF 6	



DATE		30-7-2024		DO NOT SCALE DRAWING		DIMENSIONS ARE IN MM	
REV.	DRAWN	AdJ		TFT/Solutions			
1	APPROVED	AdJ					
MATERIAL				DESCRIPTION			
FINISH				PAGE NAME			A3
				Panelmount IRtouch			
				DWG NO.			
				Q120I-PM-C4			
				SCALE:1:5		SHEET 6 OF 6	