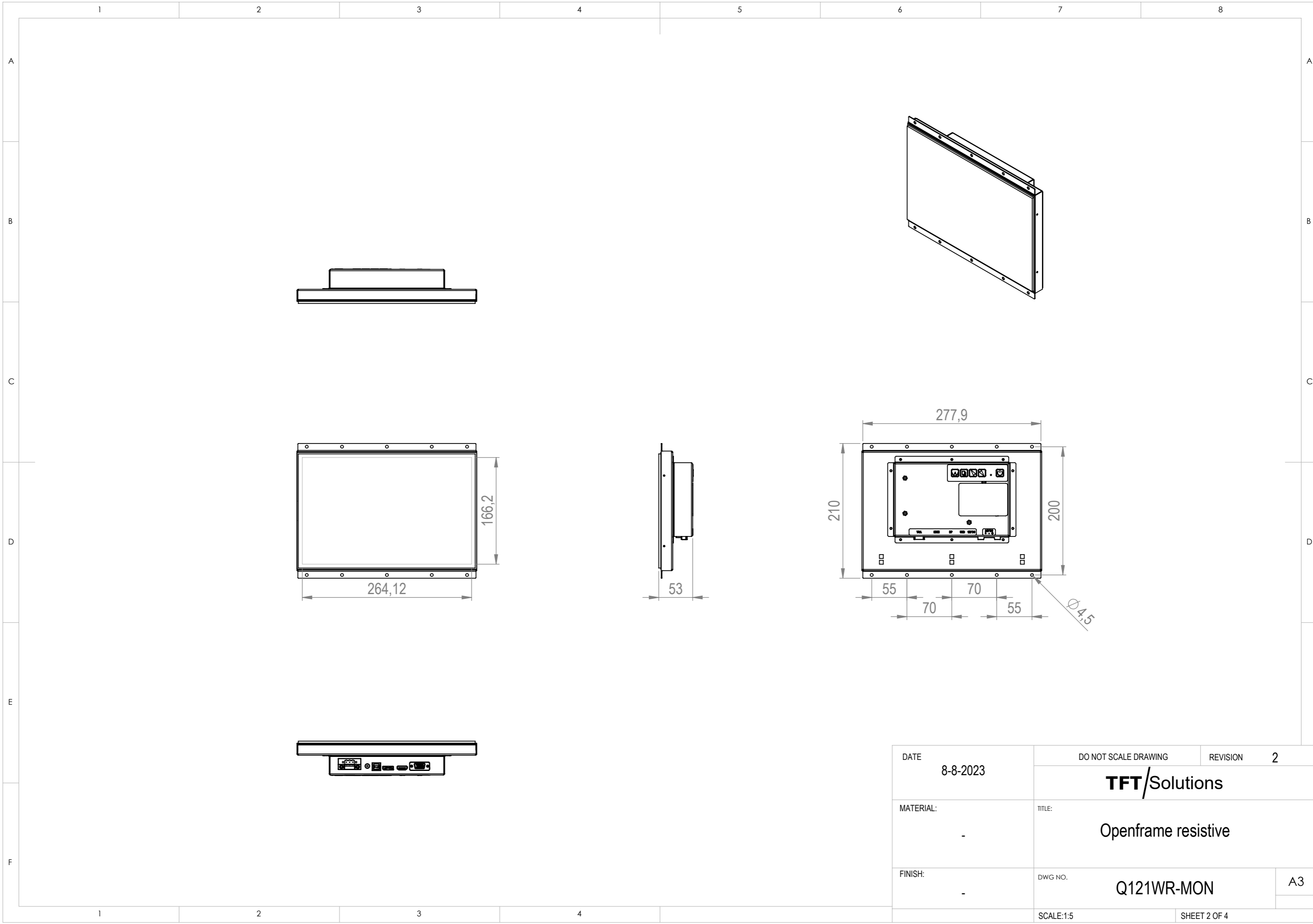
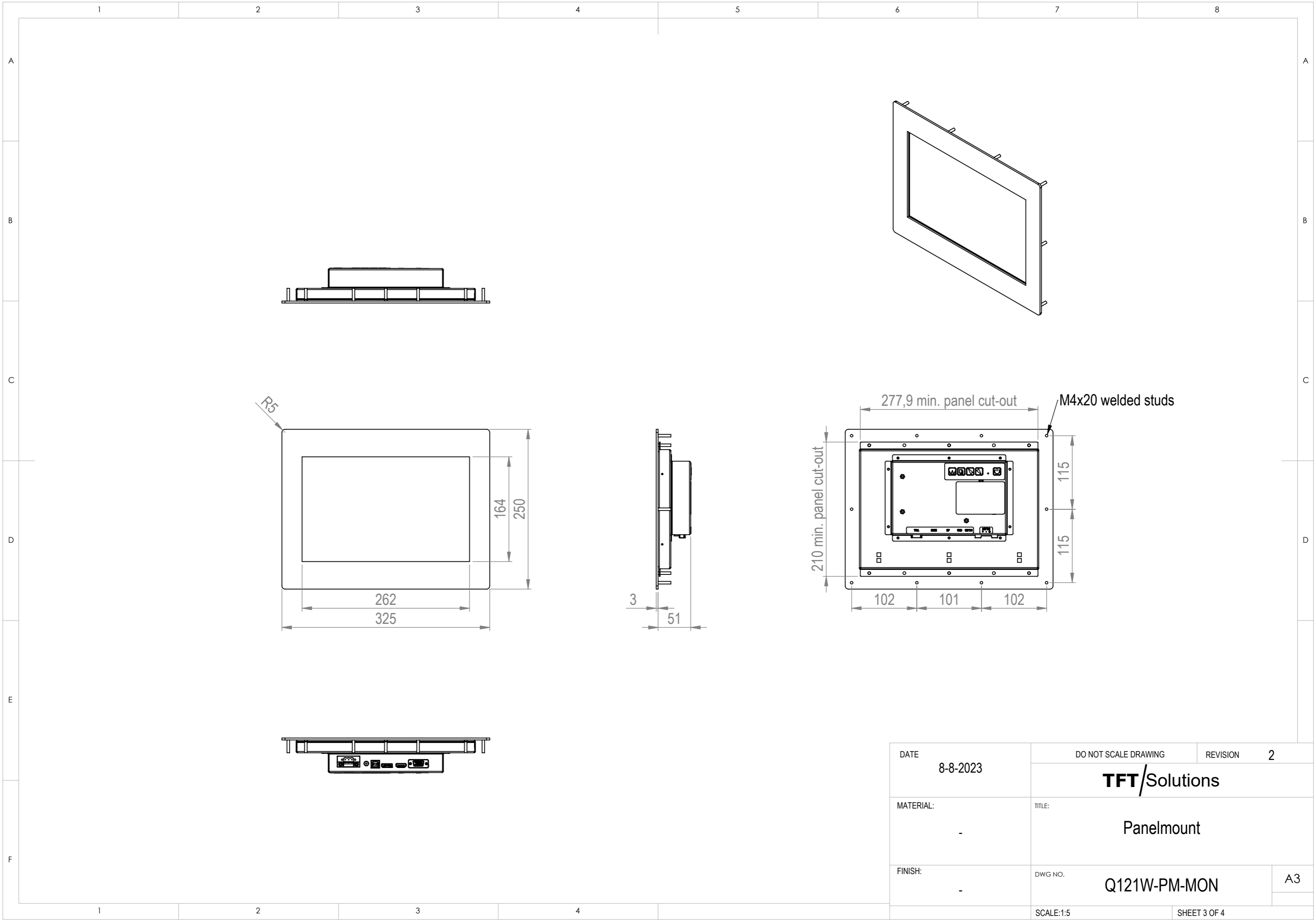


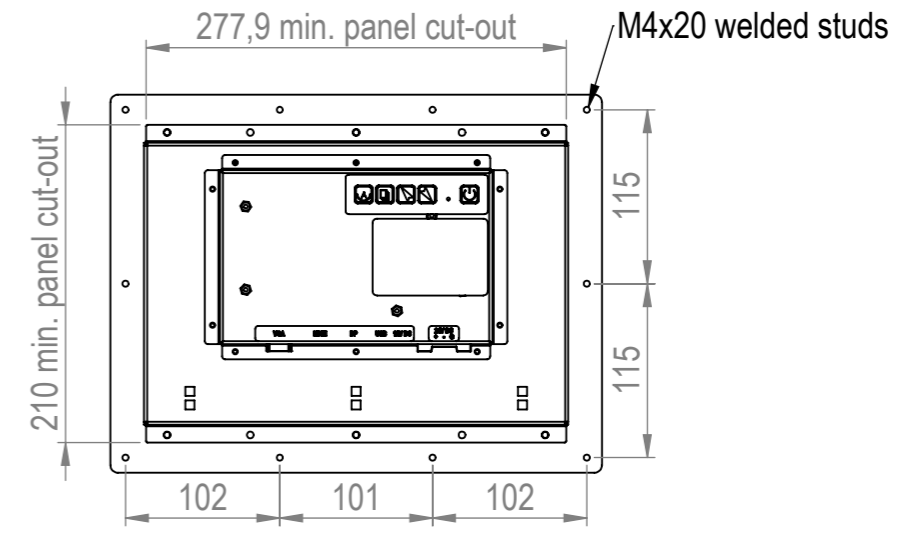
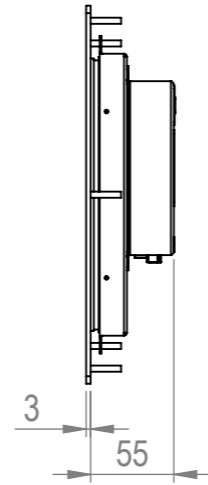
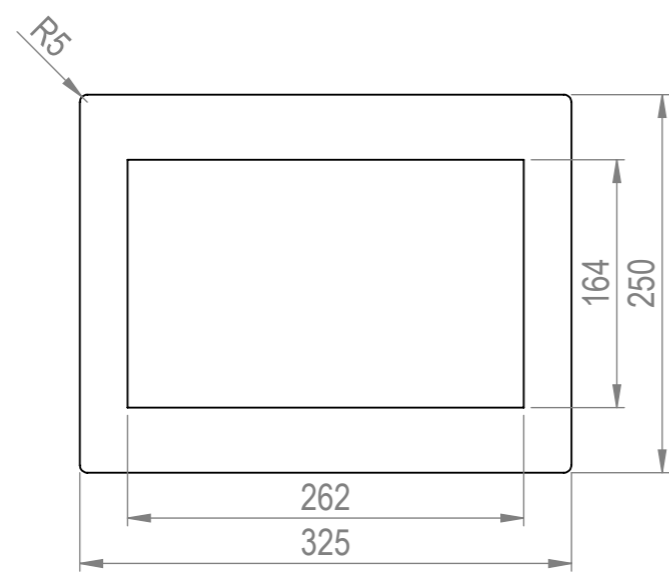
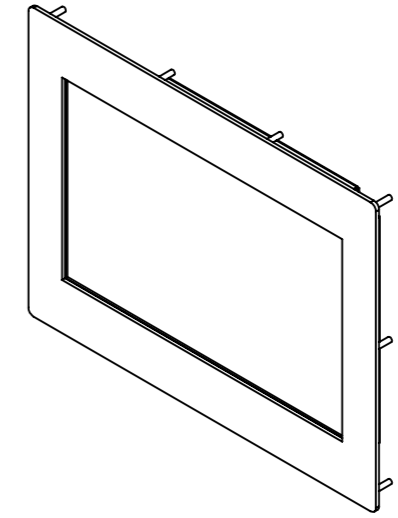
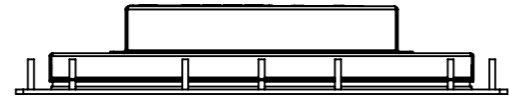
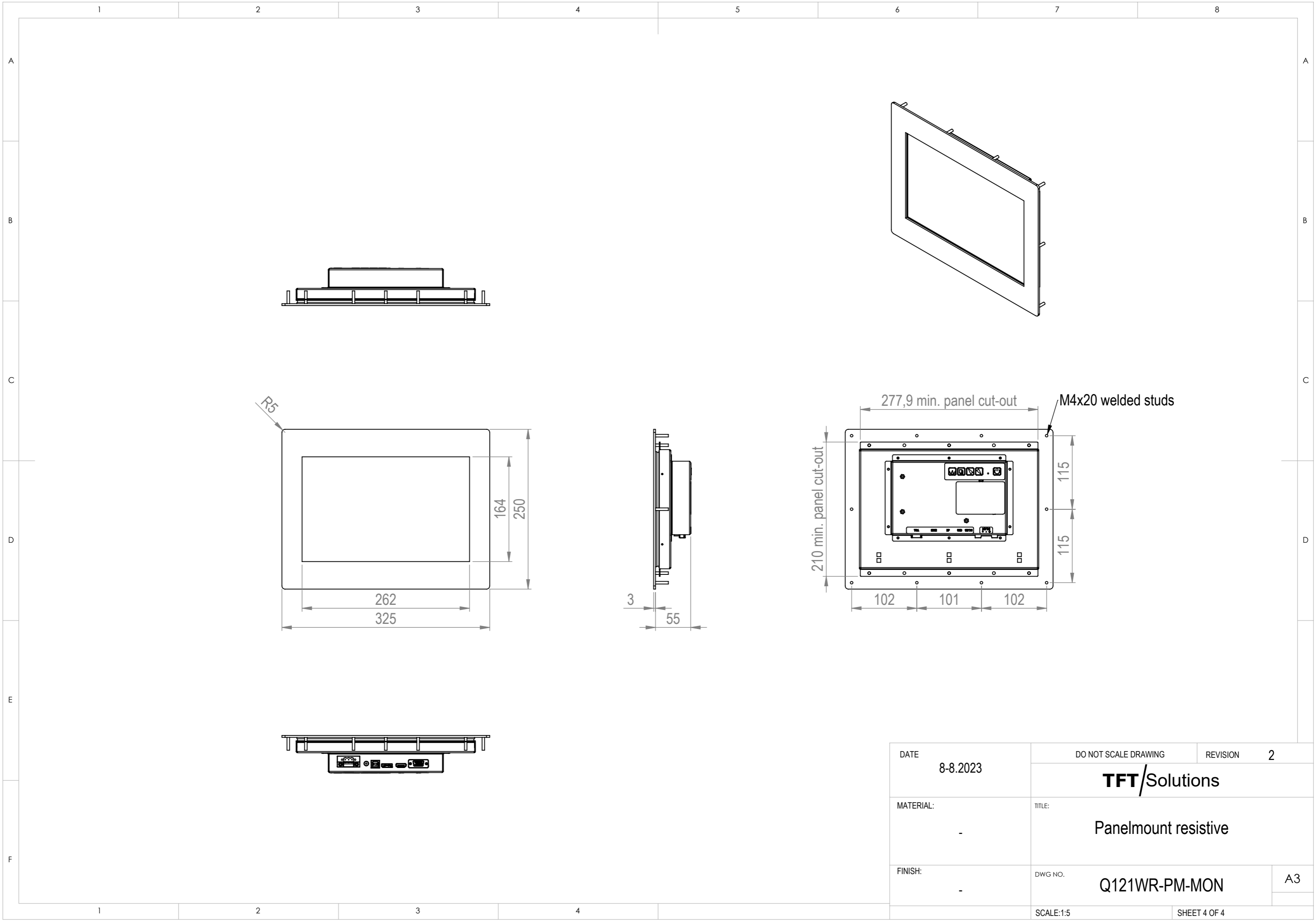
DATE	8-8-2023	DO NOT SCALE DRAWING	REVISION	2
		TFT/Solutions		
MATERIAL:	-	TITLE:	Openframe	
FINISH:	-	DWG NO.	Q121W-MON	A3
			SCALE:1:5	SHEET 1 OF 4



DATE	8-8-2023	DO NOT SCALE DRAWING	REVISION	2
		TFT/Solutions		
MATERIAL:	-	TITLE: Openframe resistive		
FINISH:	-	DWG NO.	Q121WR-MON	A3
		SCALE: 1:5	SHEET 2 OF 4	



DATE	8-8-2023	DO NOT SCALE DRAWING	REVISION	2
MATERIAL:	-	TFT/Solutions		
FINISH:	-	Panelmount		
		DWG NO.	Q121W-PM-MON	
		SCALE:1:5	SHEET 3 OF 4	
			A3	



DATE	8-8.2023	DO NOT SCALE DRAWING	REVISION	2
MATERIAL:	-	TFT/Solutions		
FINISH:	-	Panelmount resistive		
		DWG NO.	Q121WR-PM-MON	A3
		SCALE:1:5	SHEET 4 OF 4	