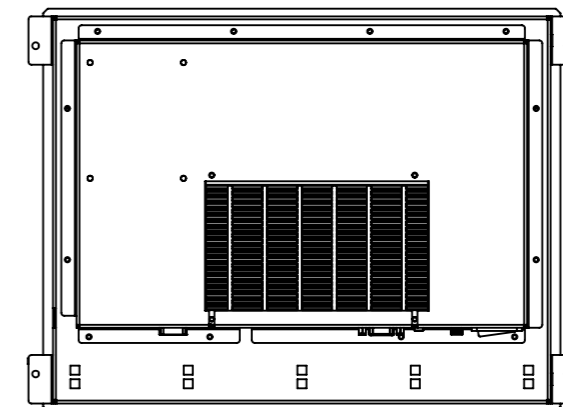
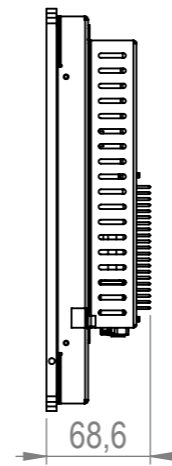
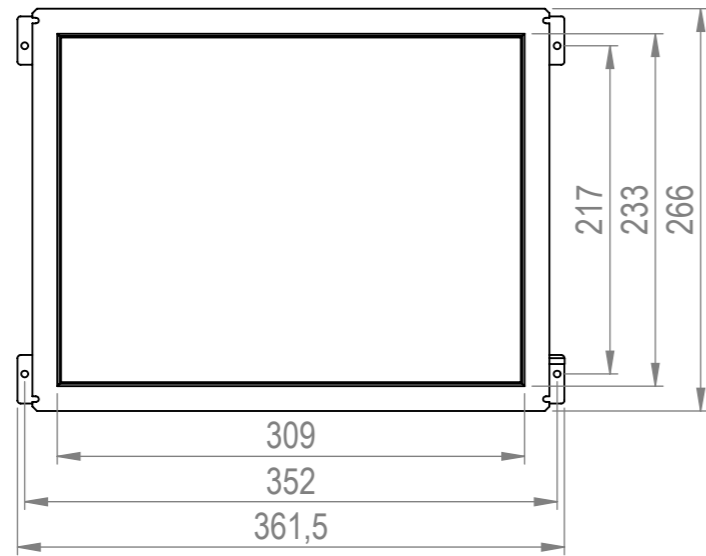
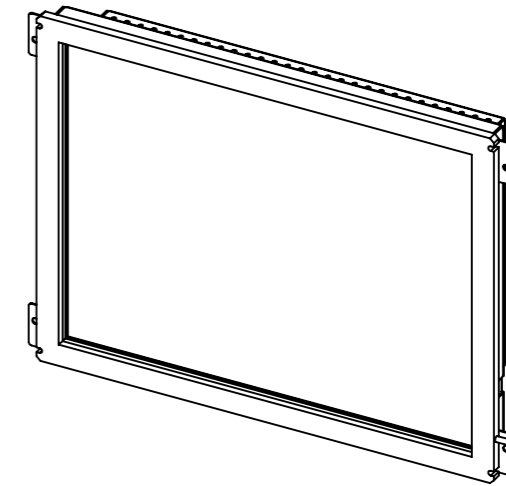
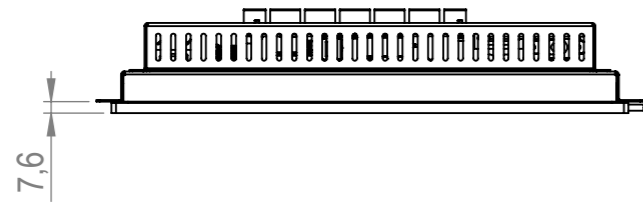
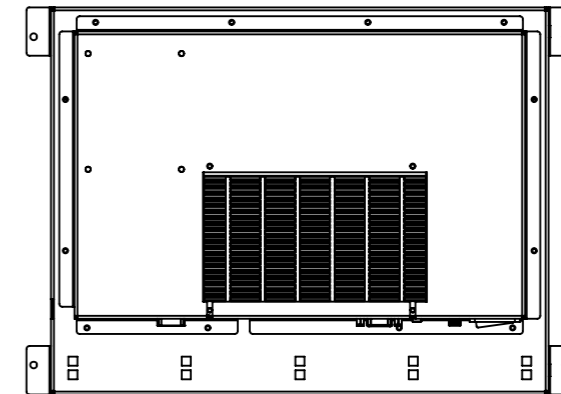
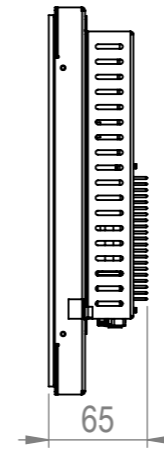
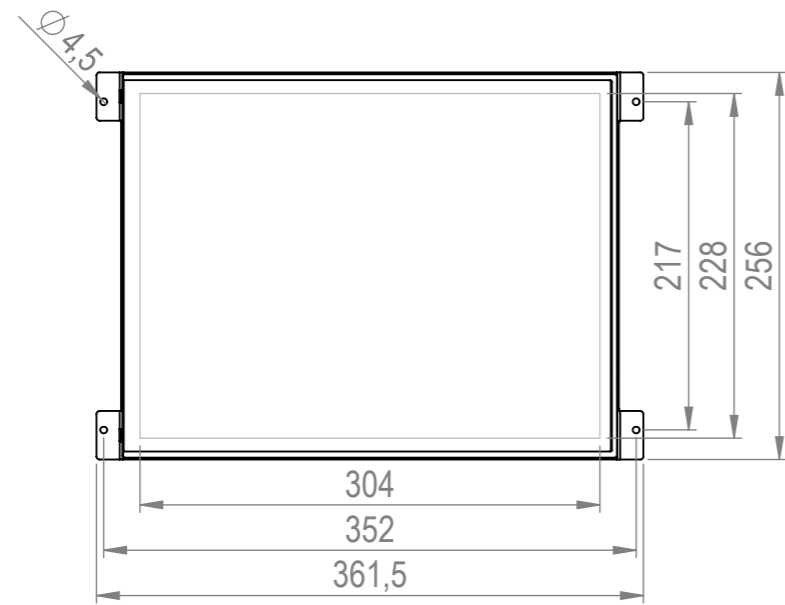
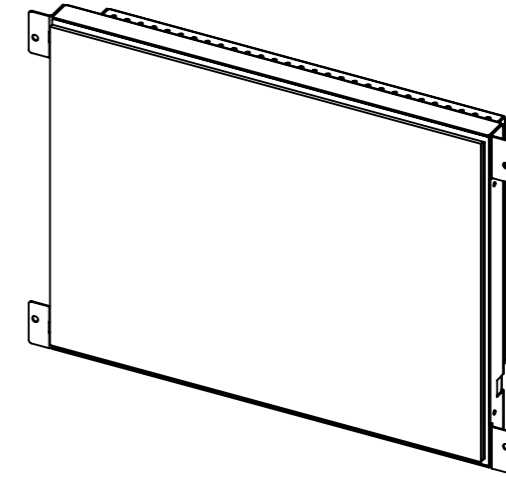
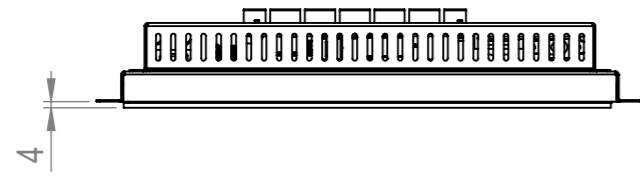


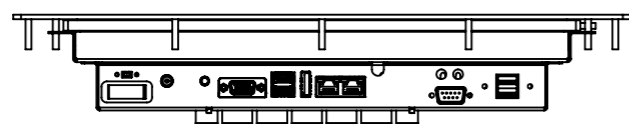
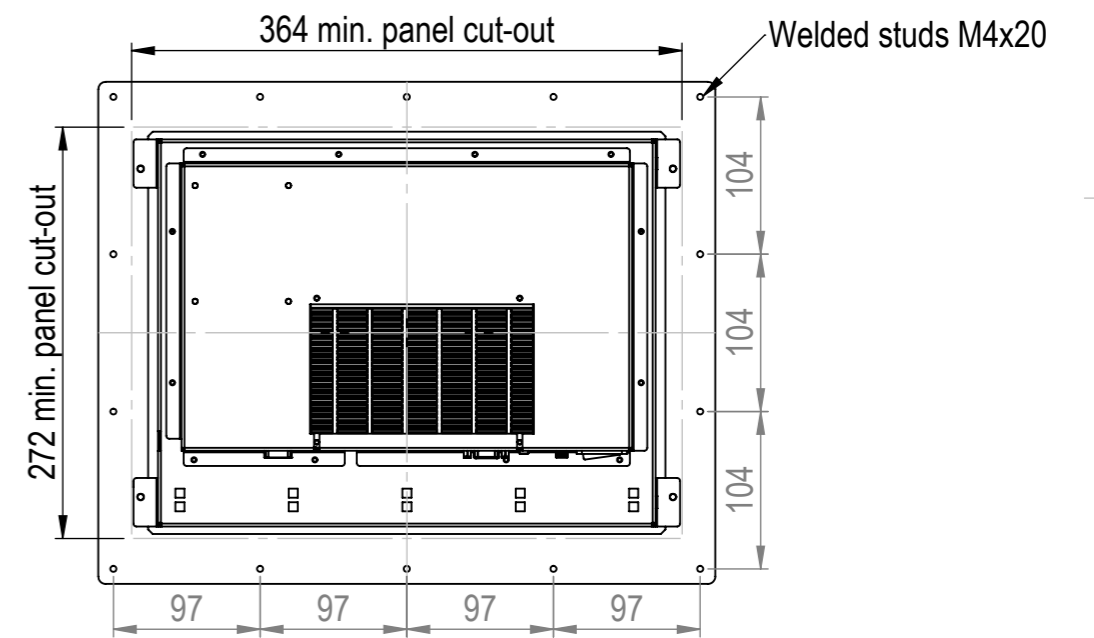
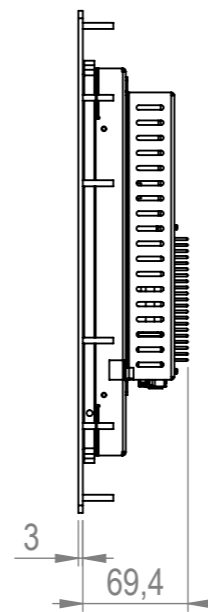
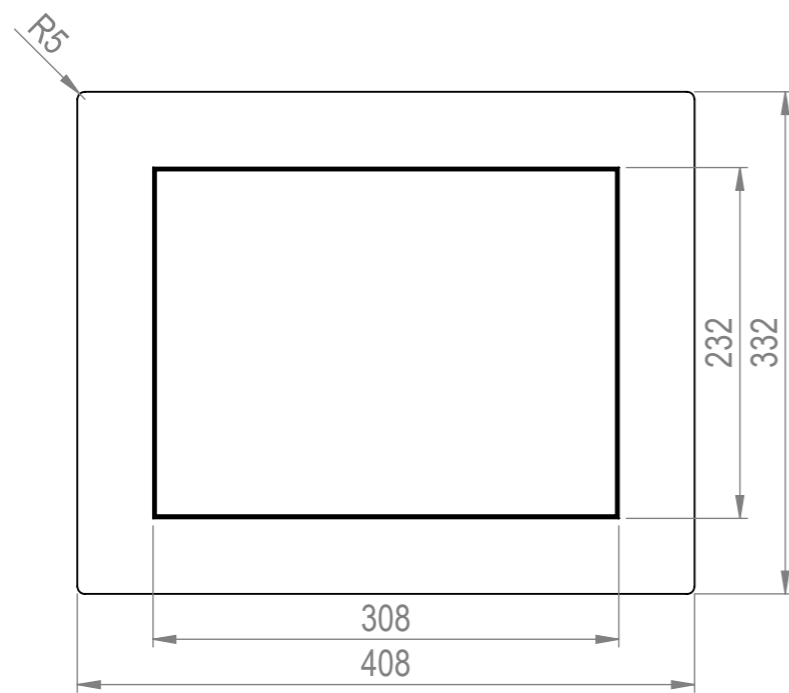
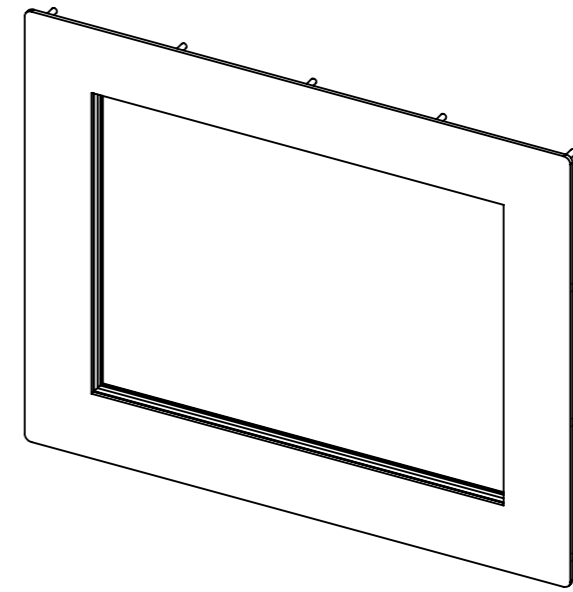
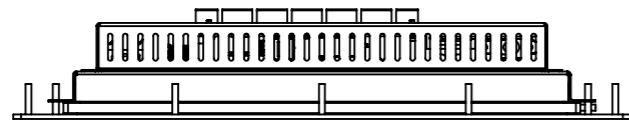
DATE		30-7-2024		DO NOT SCALE DRAWING		DIMENSIONS ARE IN MM	
REV.	DRAWN	AdJ		<b>TFT/Solutions</b>			
1	APPROVED	AdJ					
MATERIAL				DESCRIPTION			
				Assembly			
FINISH				PAGE NAME			
				Openframe			
				DWG NO.		A3	
				Q150-C4			
				SCALE:1:5		SHEET 1 OF 5	



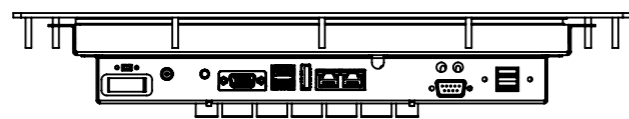
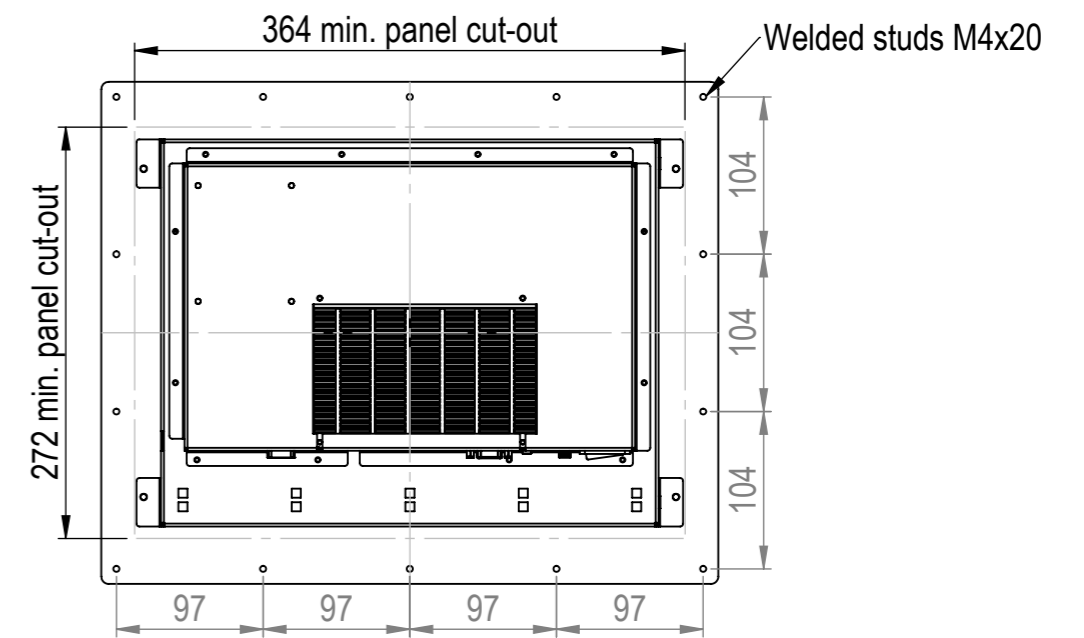
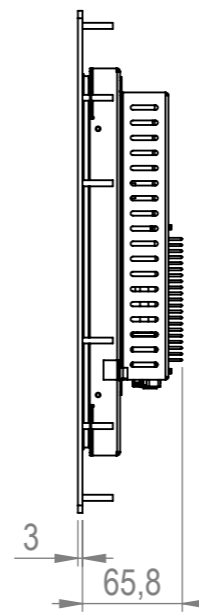
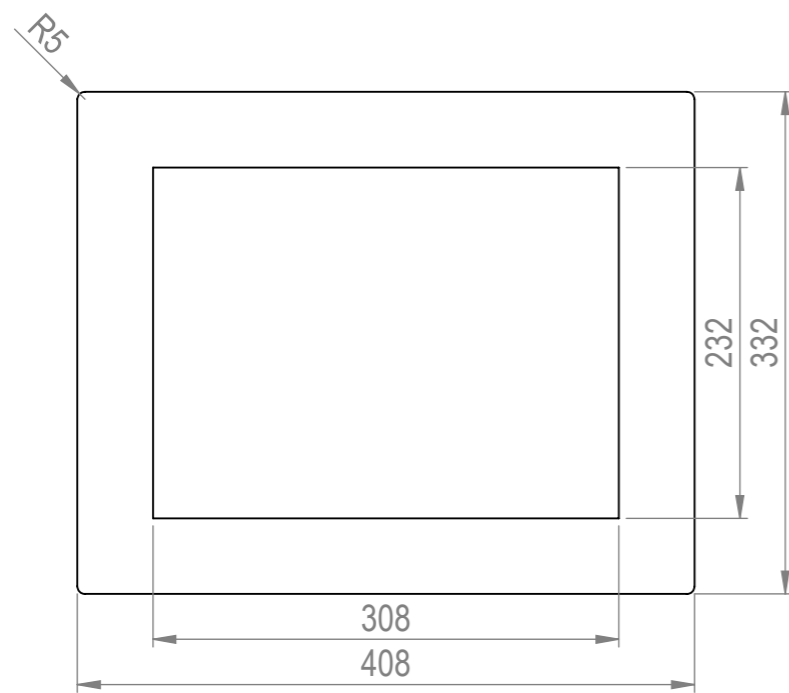
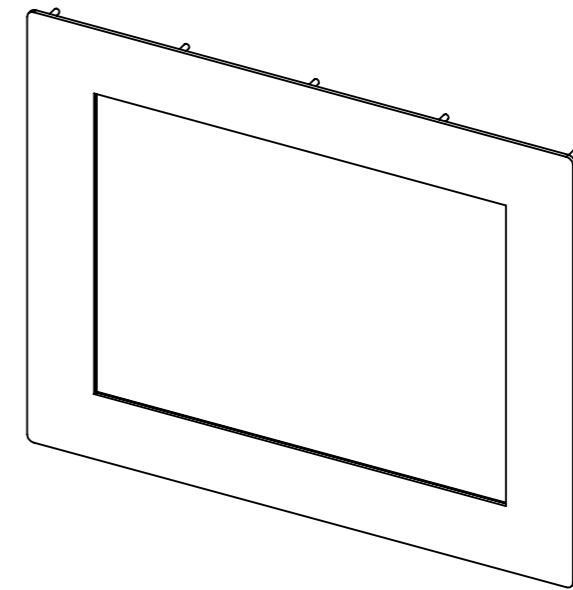
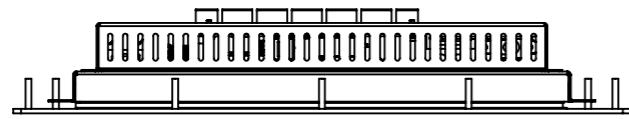
DATE		30-7-2024		DO NOT SCALE DRAWING		DIMENSIONS ARE IN MM	
REV.	DRAWN	AdJ		<b>TFT/Solutions</b>			
1	APPROVED	AdJ					
MATERIAL				DESCRIPTION Assembly			
FINISH				PAGE NAME IRtouch openframe			
				DWG NO. Q150I-C4		A3	
				SCALE:1:5		SHEET 2 OF 5	



DATE		30-7-2024		DO NOT SCALE DRAWING		DIMENSIONS ARE IN MM	
REV.	DRAWN	AdJ		<b>TFT/Solutions</b>			
1	APPROVED	AdJ					
MATERIAL				DESCRIPTION			
				Assembly			
FINISH				PAGE NAME			
				Resistive touch openframe			
				DWG NO.		A3	
				SCALE:1:5		SHEET 3 OF 5	



DATE		30-7-2024		DO NOT SCALE DRAWING		DIMENSIONS ARE IN MM	
REV.	DRAWN	AdJ		<b>TFT/Solutions</b>			
1	APPROVED	AdJ					
MATERIAL				DESCRIPTION			
				Assembly			
FINISH				PAGE NAME			
				IRtouch panelmount			
				DWG NO.			A3
				Q150I-PM-C4			
				SCALE:1:5		SHEET 4 OF 5	



DATE		30-7-2024		DO NOT SCALE DRAWING		DIMENSIONS ARE IN MM	
REV.	DRAWN	AdJ		<b>TFT/Solutions</b>			
1	APPROVED	AdJ					
MATERIAL				DESCRIPTION			
				Assembly			
FINISH				PAGE NAME			
				Resistive touch panelmount			
				DWG NO.		A3	
				<b>Q150R-PM-C4</b>			
				SCALE:1:5		SHEET 5 OF 5	