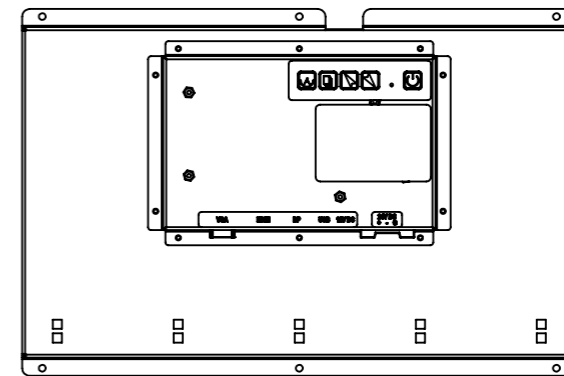
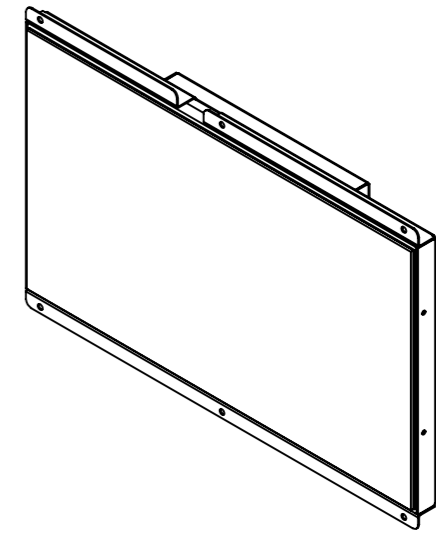
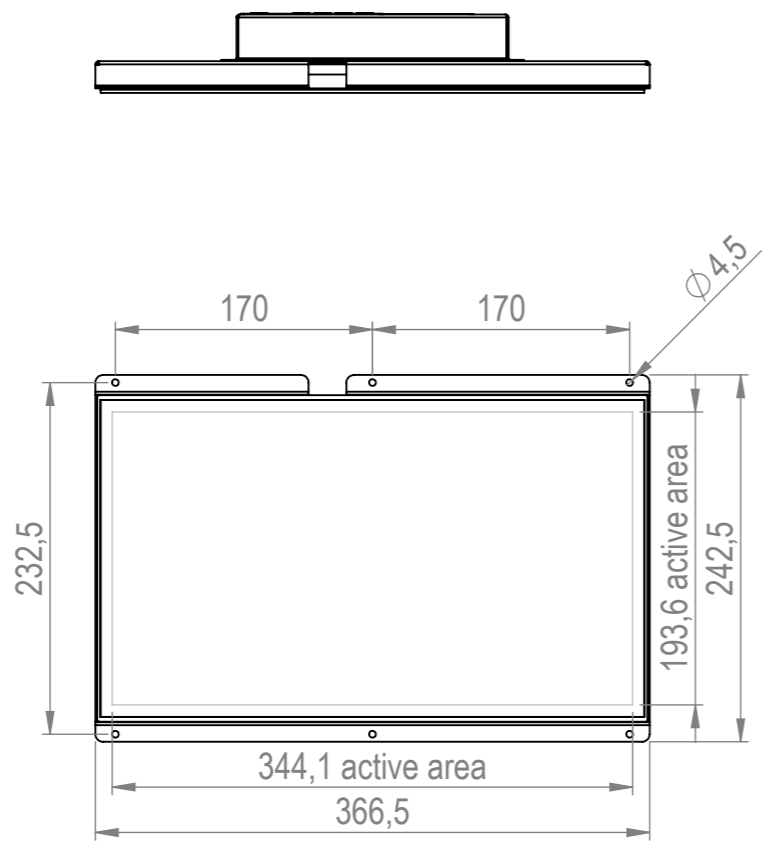
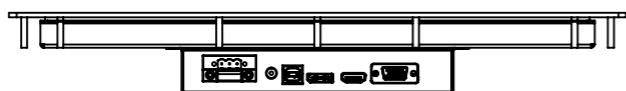
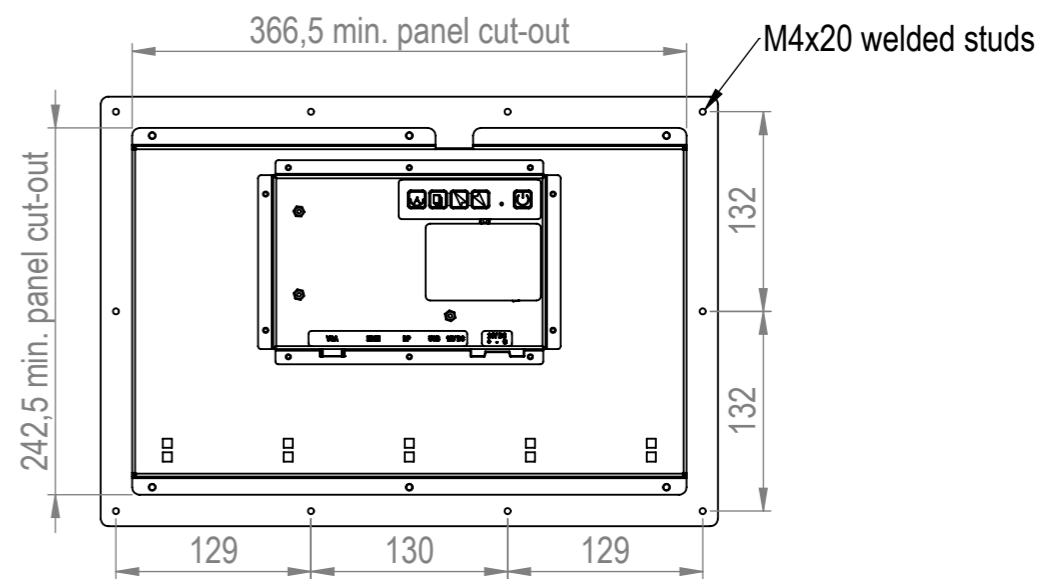
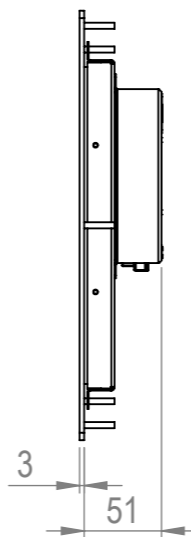
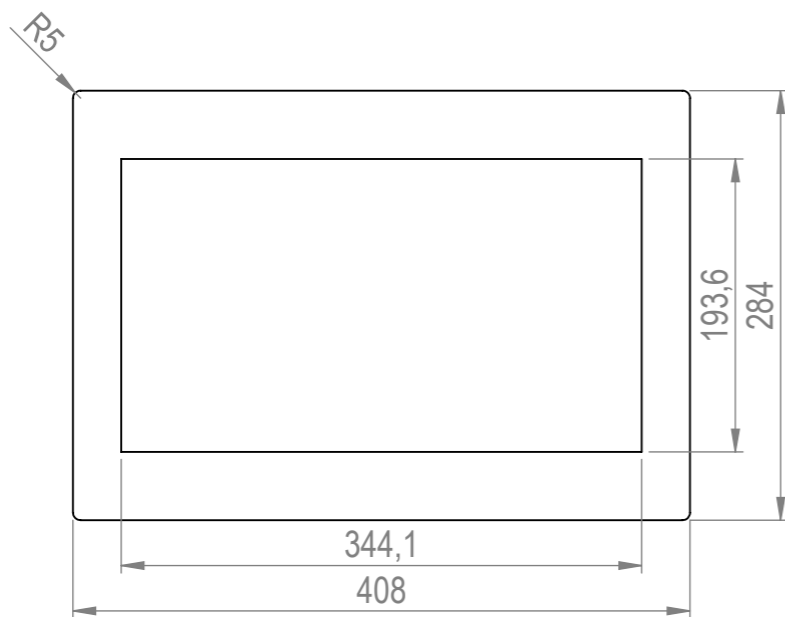
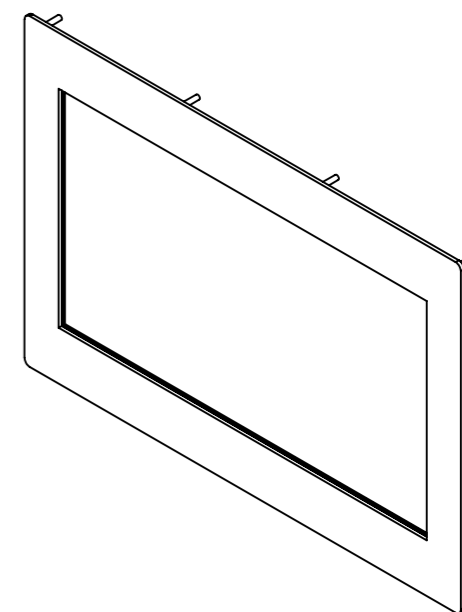


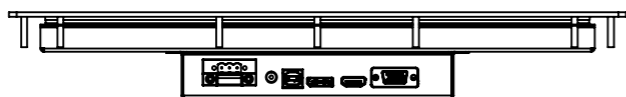
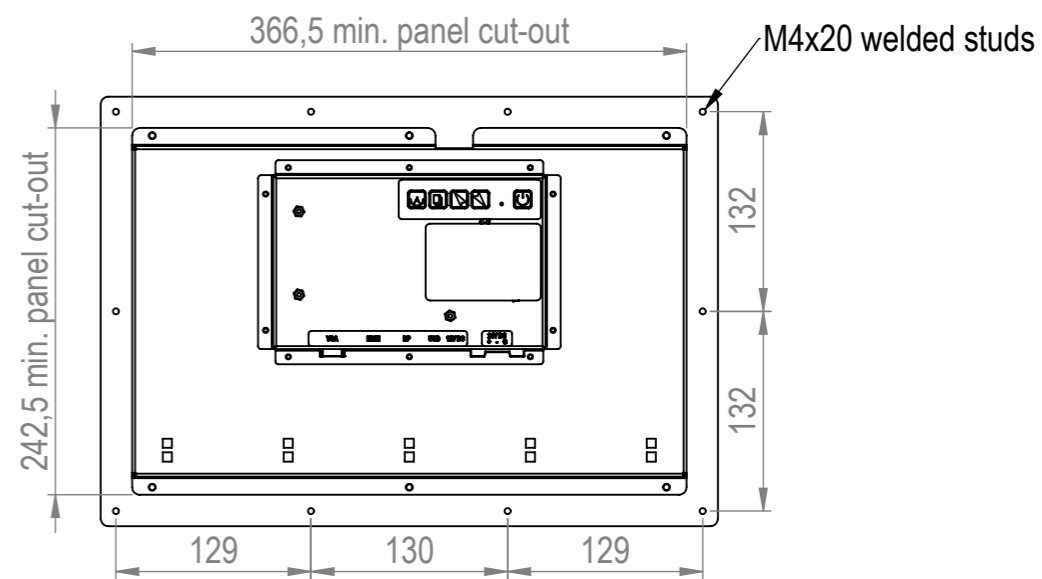
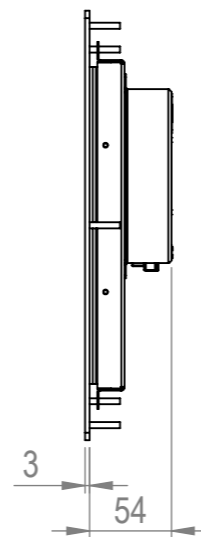
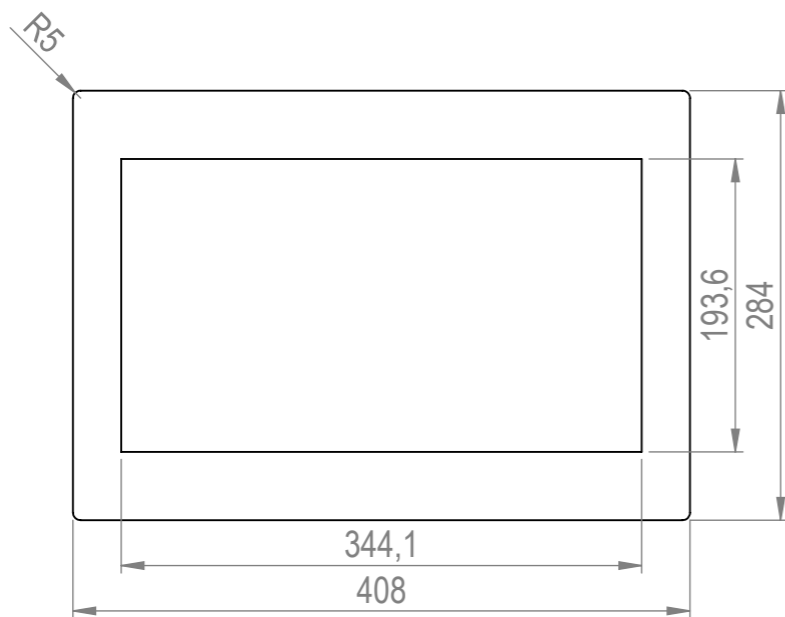
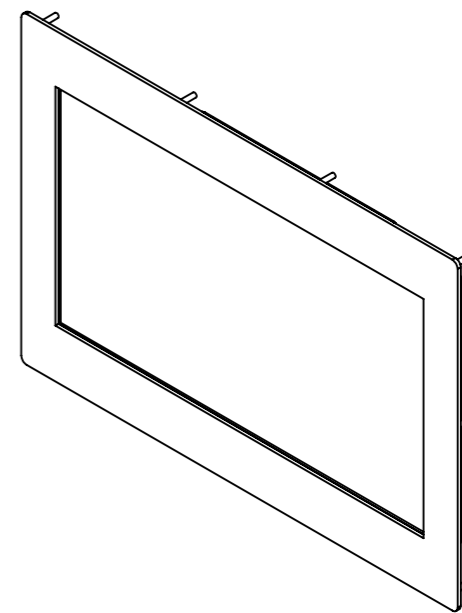
DATE	9-8-2023	DO NOT SCALE DRAWING	REVISION	2
		TFT/Solutions		
MATERIAL:	-	TITLE:	Openframe	
FINISH:	-	DWG NO.	Q156W-MON	A3
		SCALE:1:5	SHEET 1 OF 4	



DATE	9-8-2023	DO NOT SCALE DRAWING	REVISION	2
		TFT/Solutions		
MATERIAL:	-	TITLE: Resistive openframe		
FINISH:	-	DWG NO.	Q156WR-MON	A3
		SCALE:1:5	SHEET 2 OF 4	



DATE	9-8-2023	DO NOT SCALE DRAWING	REVISION	2
		TFT/Solutions		
MATERIAL:	-	TITLE: Panelmount		
FINISH:	-	DWG NO.	Q156W-PM-MON	
		SCALE:1:5	SHEET 3 OF 4	
				A3



DATE	9-8-2023	DO NOT SCALE DRAWING	REVISION	2
		TFT/Solutions		
MATERIAL:	-	TITLE: Resistive panelmount		
FINISH:	-	DWG NO.	Q156WR-PM-MON	A3
		SCALE:1:5	SHEET 4 OF 4	