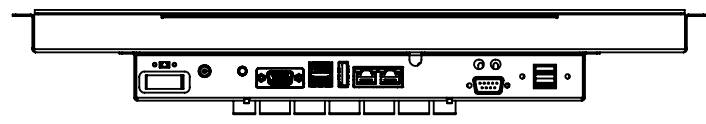
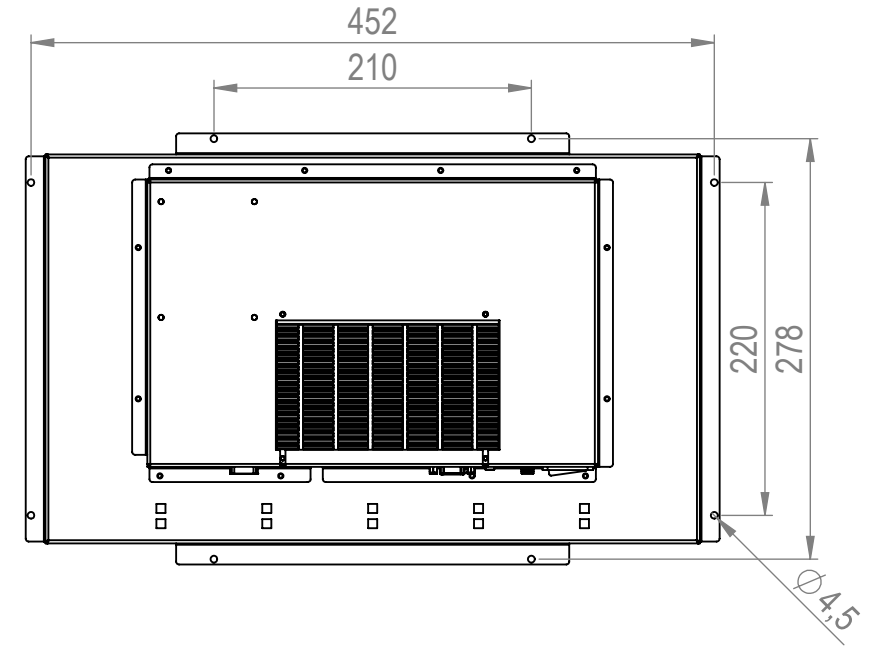
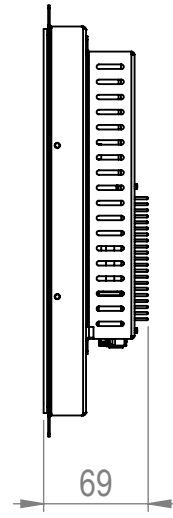
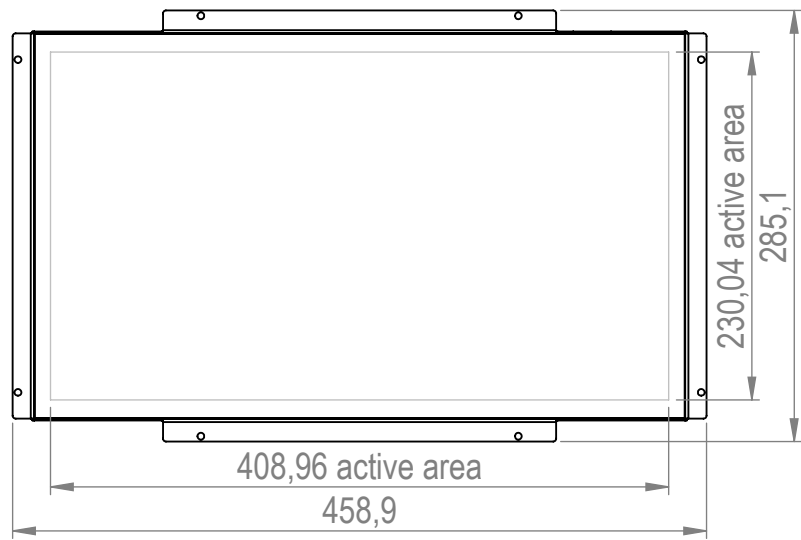
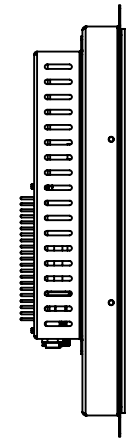
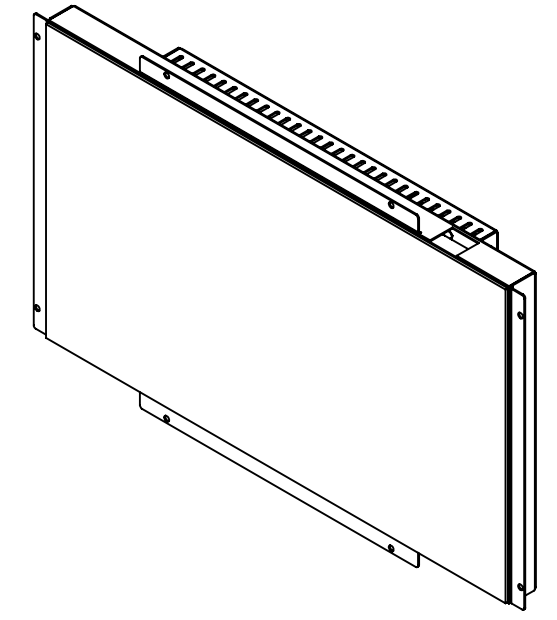
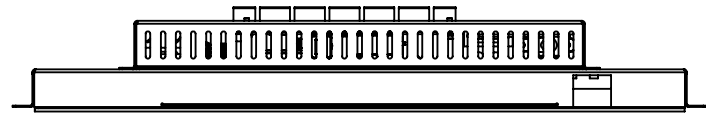
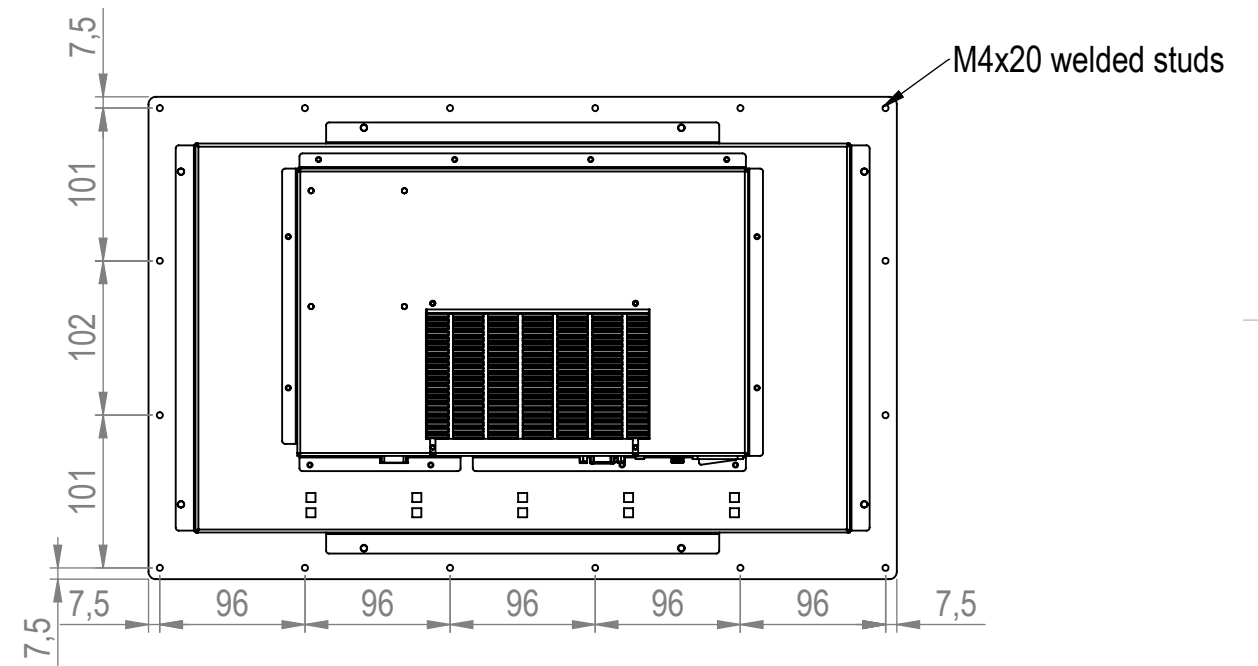
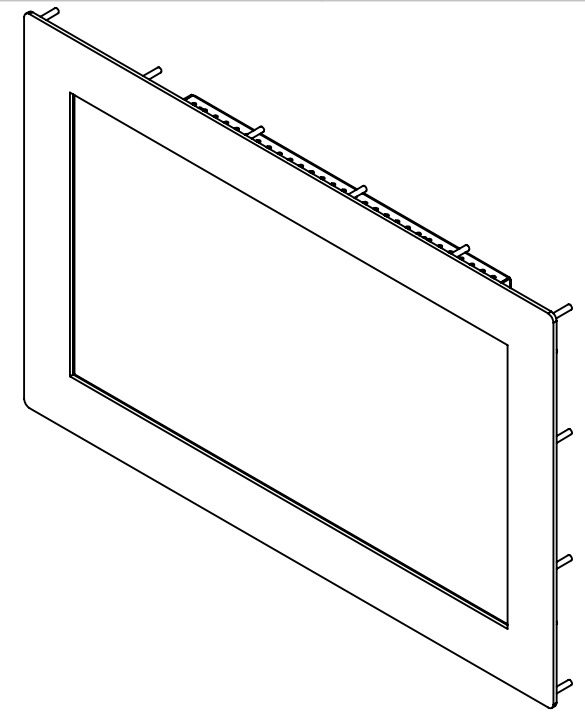
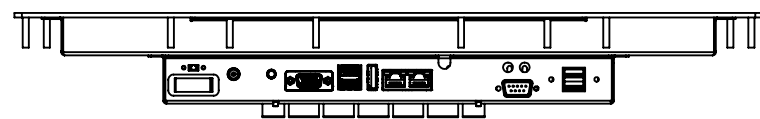
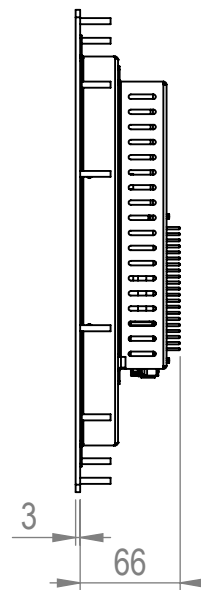
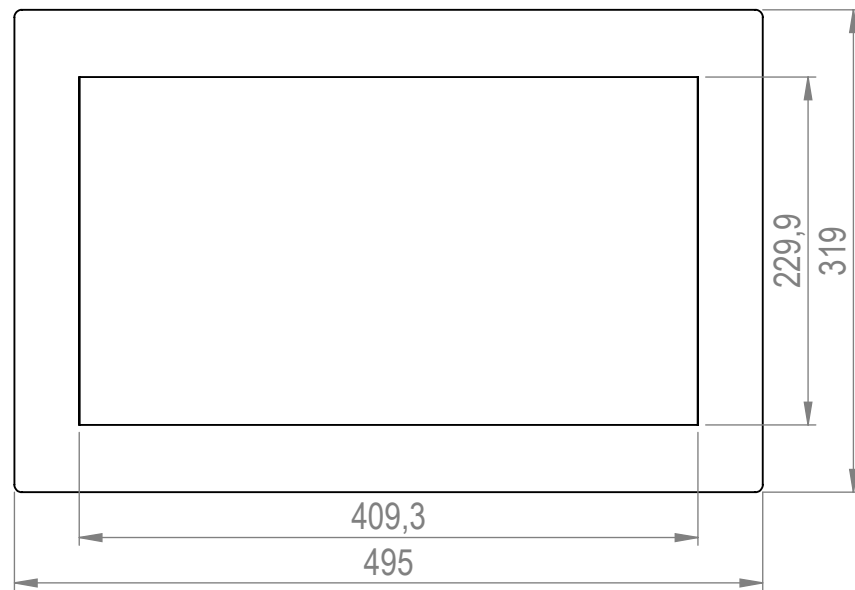
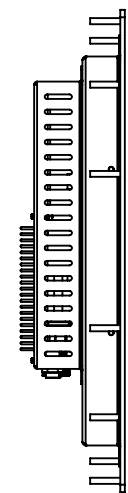
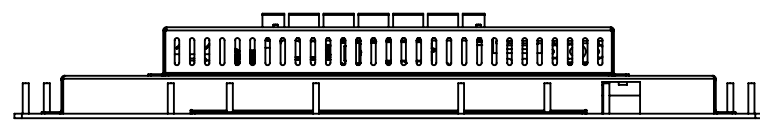


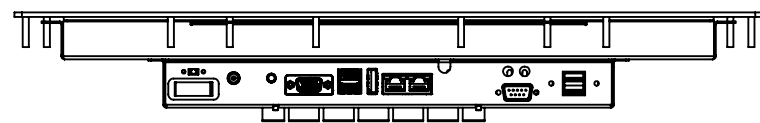
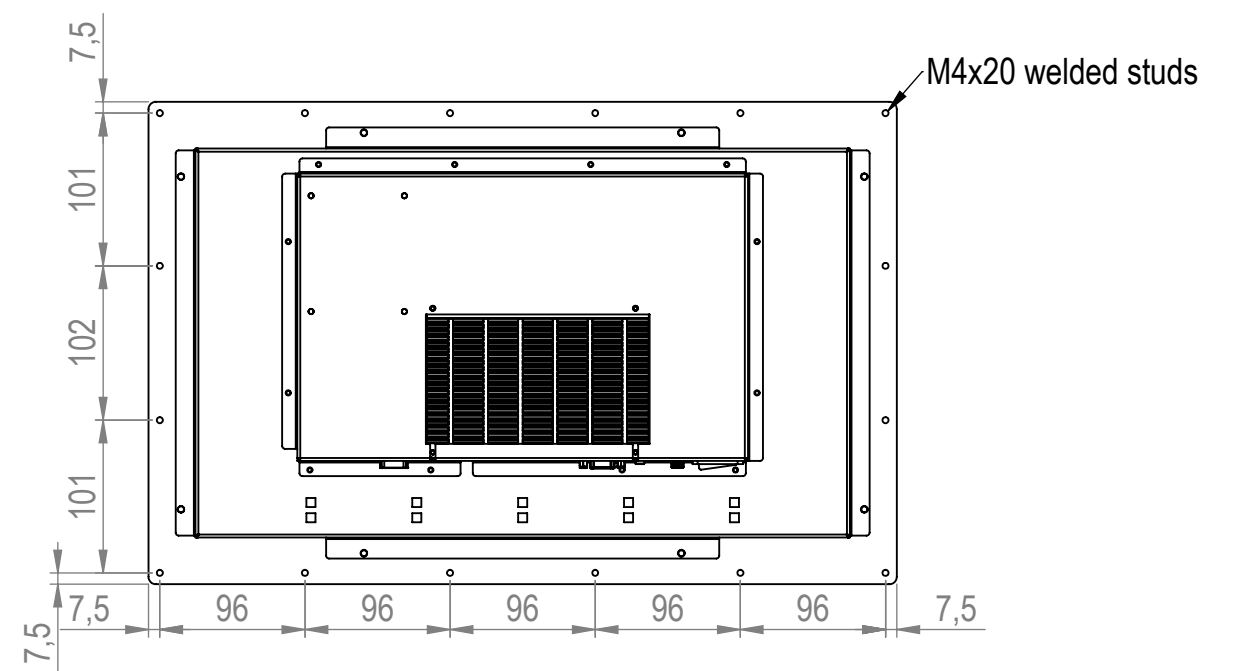
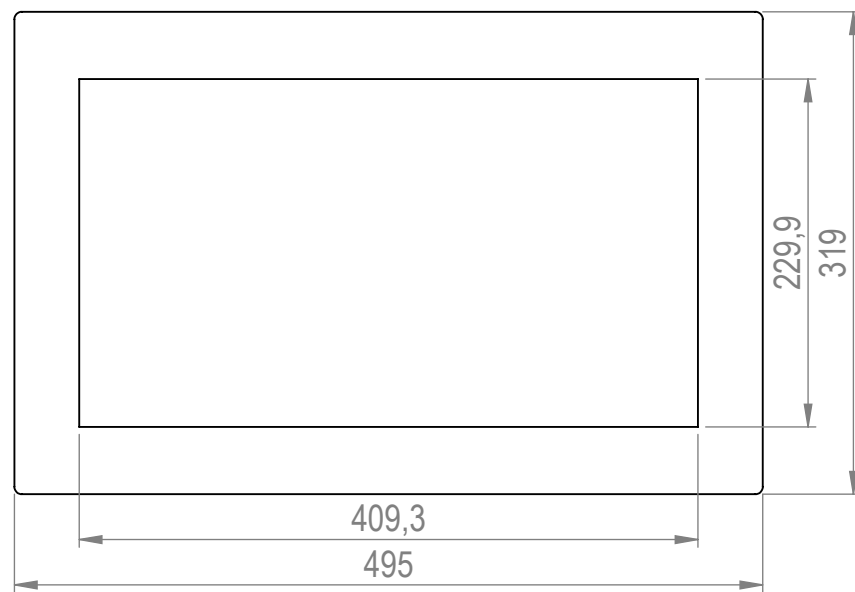
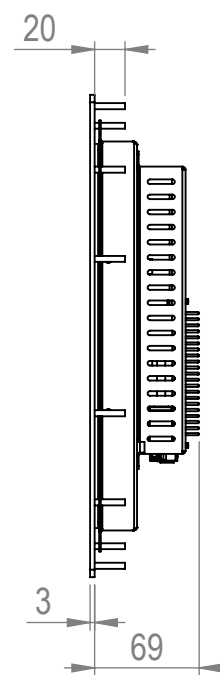
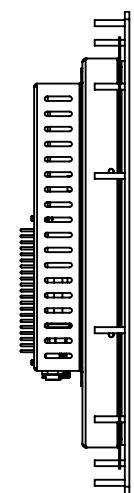
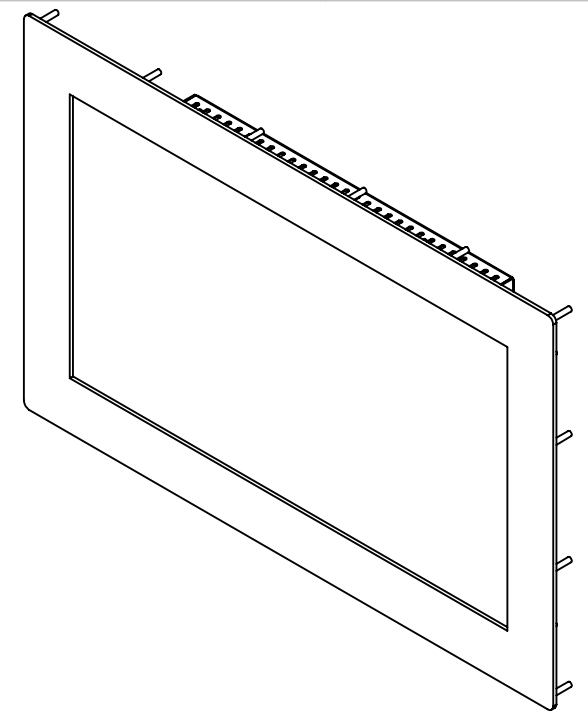
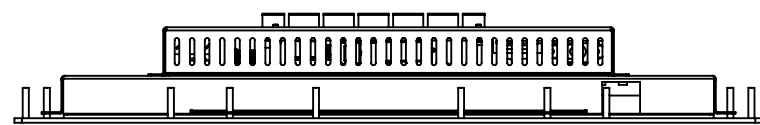
DATE		31-7-2024		DO NOT SCALE DRAWING		DIMENSIONS ARE IN MM	
REV.	DRAWN	AdJ		TFT/Solutions			
1	APPROVED	AdJ					
MATERIAL				DESCRIPTION			
				Assembly			
				PAGE NAME			
				Openframe			
FINISH				DWG NO.		A3	
				Q185W-C4			
				SCALE:1:5		SHEET 1 OF 4	



DATE		31-7-2024		DO NOT SCALE DRAWING		DIMENSIONS ARE IN MM	
REV.	DRAWN	AdJ		TFT/Solutions			
1	APPROVED	AdJ					
MATERIAL				DESCRIPTION			
				Assembly			
FINISH				PAGE NAME			
				Resistive			
				DWG NO.		A3	
				Q185WR-C4			
				SCALE:1:5		SHEET 2 OF 4	



DATE		31-7-2024		DO NOT SCALE DRAWING		DIMENSIONS ARE IN MM	
REV.	DRAWN	AdJ		TFT/Solutions			
1	APPROVED	AdJ					
MATERIAL				DESCRIPTION			
				Assembly			
FINISH				PAGE NAME			
				Panelmount			
				DWG NO.			A3
				Q185W-PM-C4			
				SCALE:1:5		SHEET 3 OF 4	



DATE		31-7-2024		DO NOT SCALE DRAWING		DIMENSIONS ARE IN MM	
REV.	DRAWN	AdJ		TFT/Solutions			
1	APPROVED	AdJ					
MATERIAL				DESCRIPTION			
				Assembly			
FINISH				PAGE NAME			
				Panelmount resistive			
				DWG NO.		A3	
				Q185WR-PM-C4			
				SCALE:1:5		SHEET 4 OF 4	