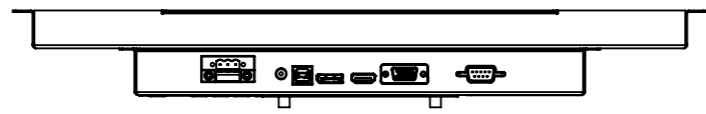
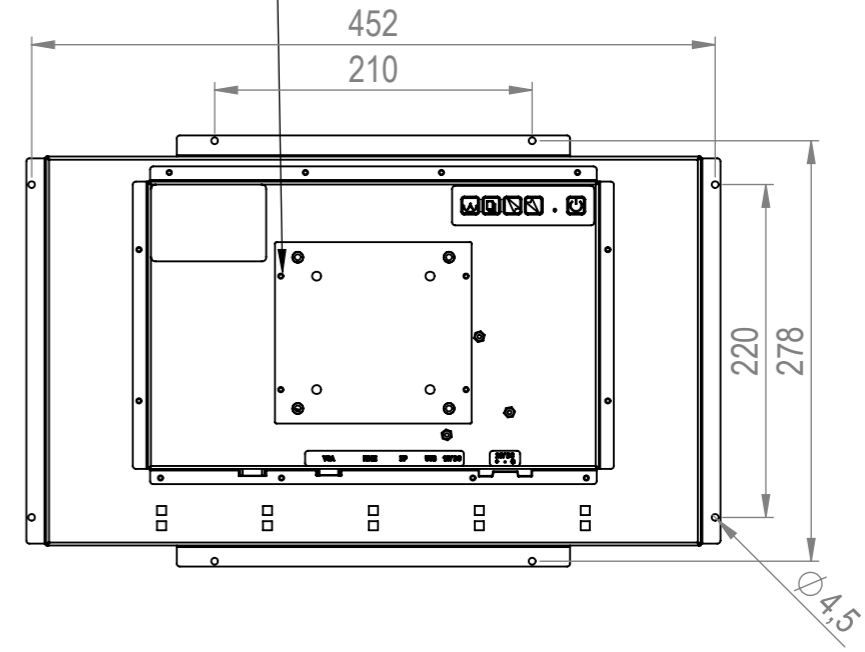
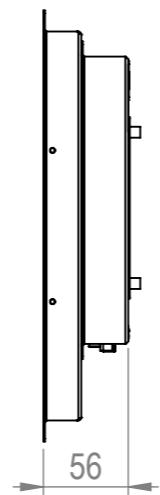
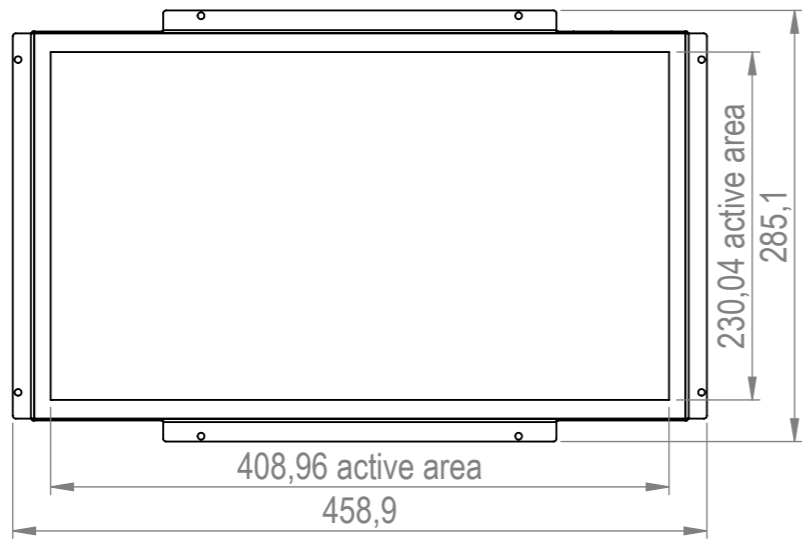
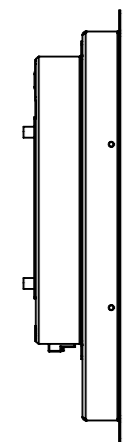
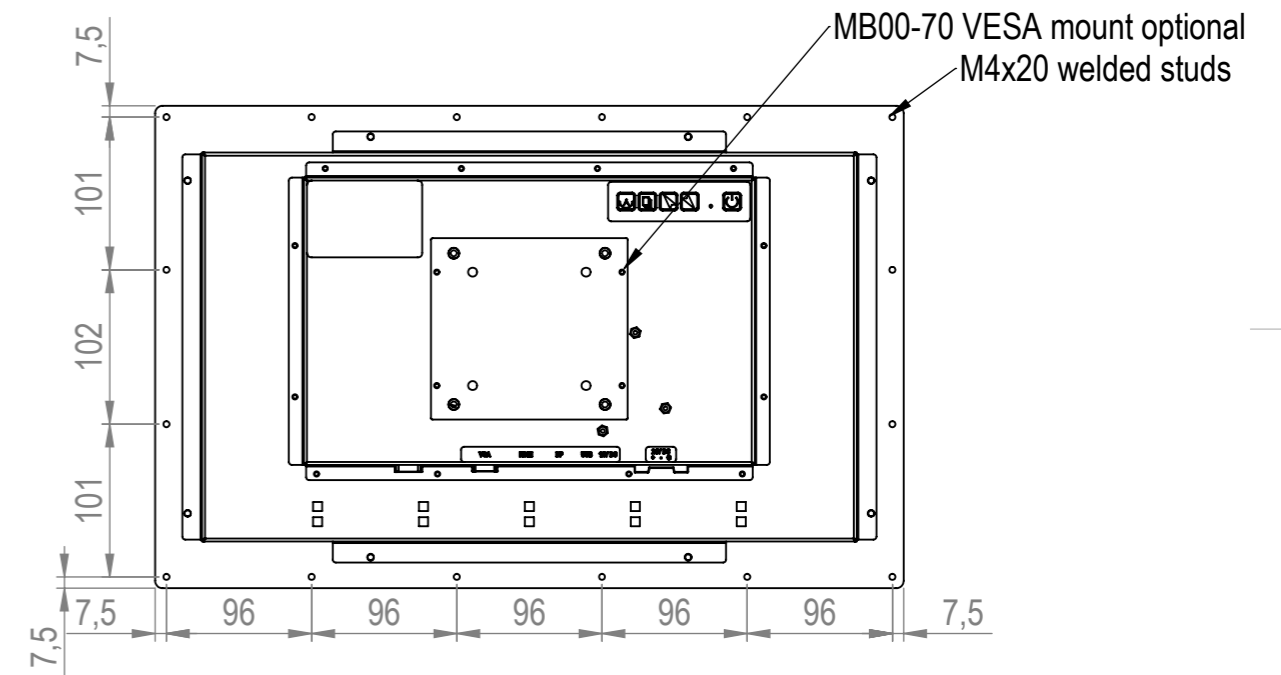
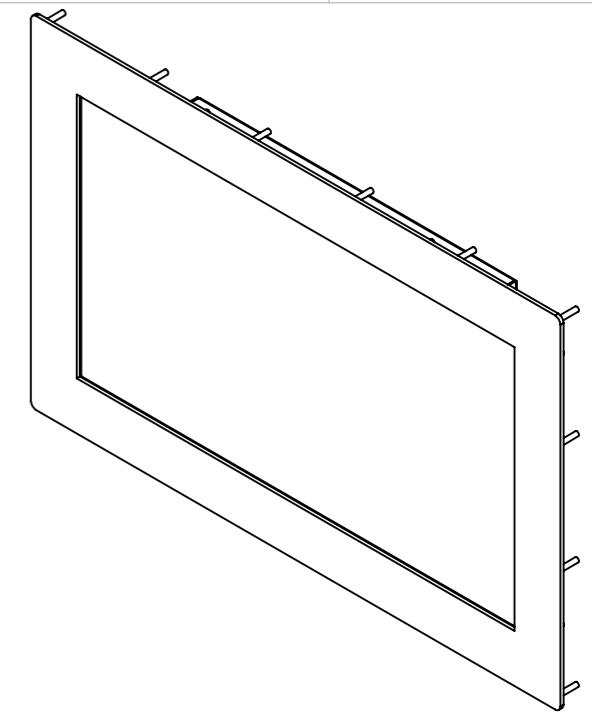
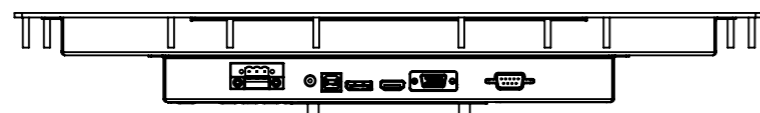
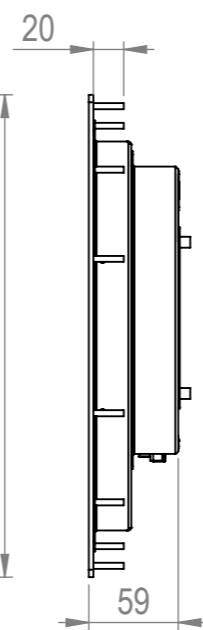
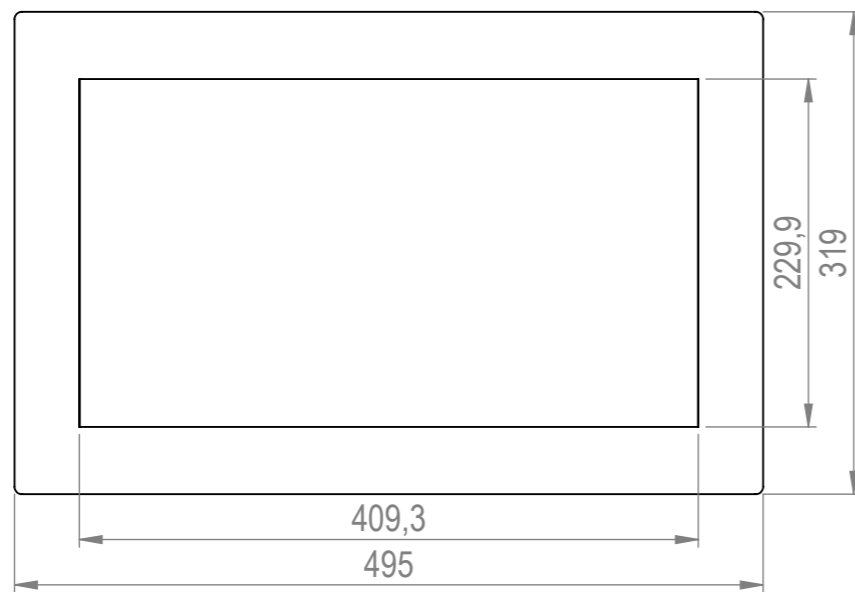
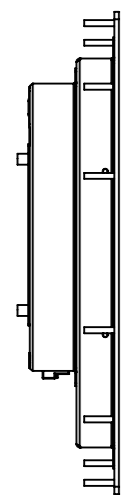
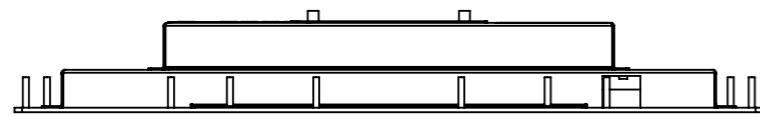


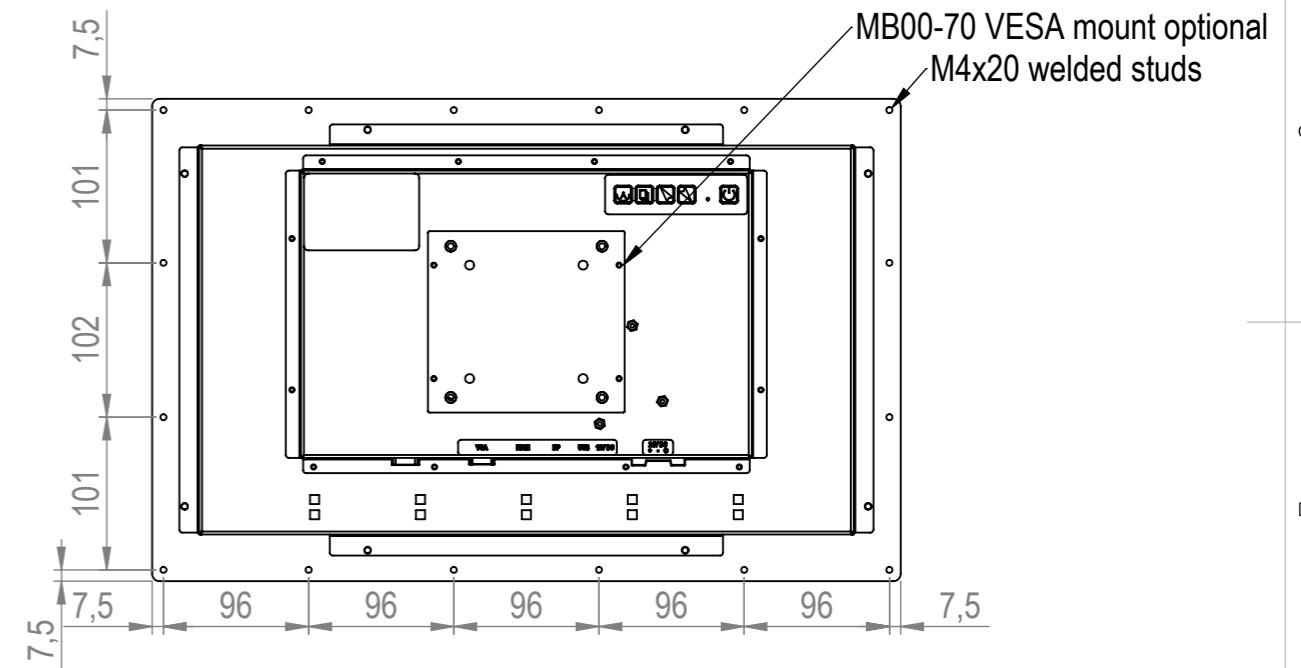
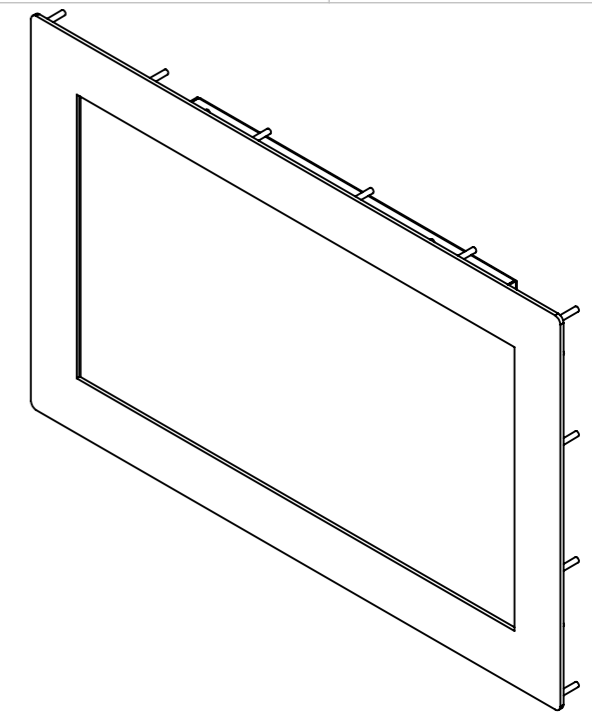
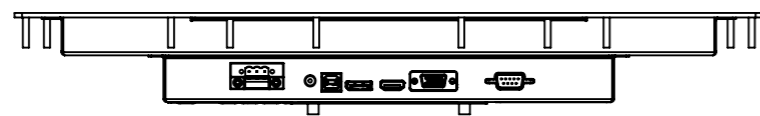
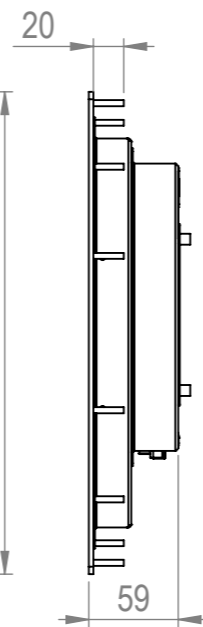
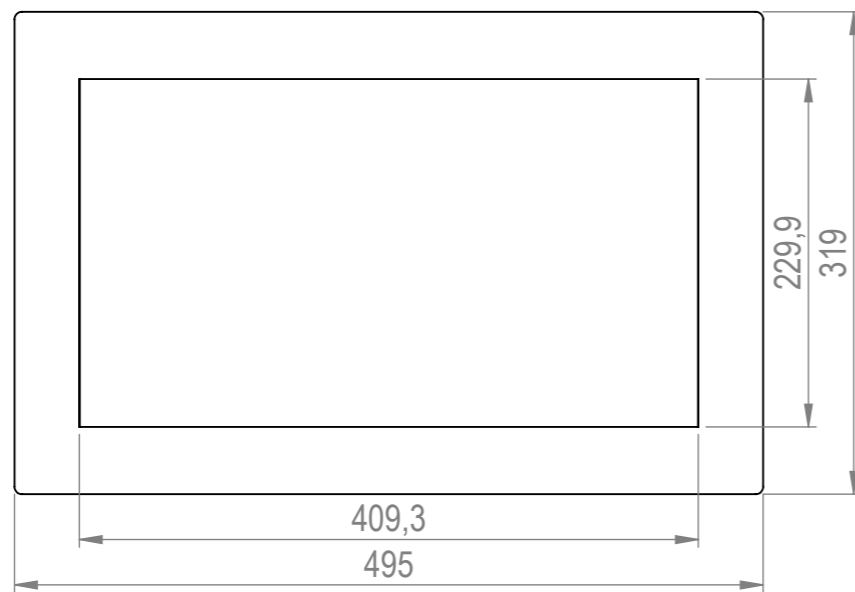
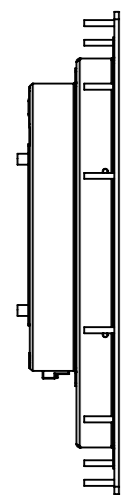
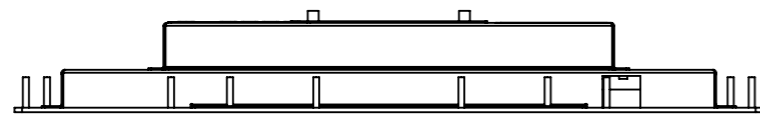
MB00-70 VESA mount optional



DATE		30-7-2024		DO NOT SCALE DRAWING		DIMENSIONS ARE IN MM	
REV.	DRAWN	AdJ		TFT/Solutions			
1	APPROVED	AdJ					
MATERIAL				DESCRIPTION			
				Assembly			
				PAGE NAME			
				Openframe			
FINISH				DWG NO.			A3
				Q185W-MON			
SCALE:1:5						SHEET 1 OF 3	



DATE		30-7-2024		DO NOT SCALE DRAWING		DIMENSIONS ARE IN MM	
REV.	DRAWN	AdJ		TFT/Solutions			
1	APPROVED	AdJ					
MATERIAL				DESCRIPTION			
				Assembly			
FINISH				PAGE NAME			
				Panelmount			
				DWG NO.			
				Q185W-PM-MON			
				SCALE:1:5		SHEET 2 OF 3	
						A3	



DATE		30-7-2024		DO NOT SCALE DRAWING		DIMENSIONS ARE IN MM	
REV.	DRAWN	AdJ		TFT/Solutions			
1	APPROVED	AdJ					
MATERIAL				DESCRIPTION			
				Assembly			
FINISH				PAGE NAME			
				Panelmount resistive			
				DWG NO.		A3	
				SCALE:1:5		SHEET 3 OF 3	