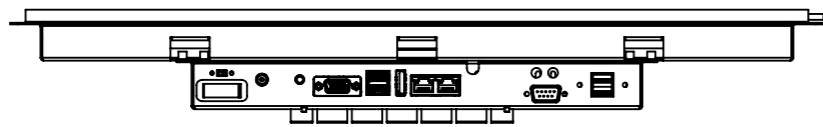
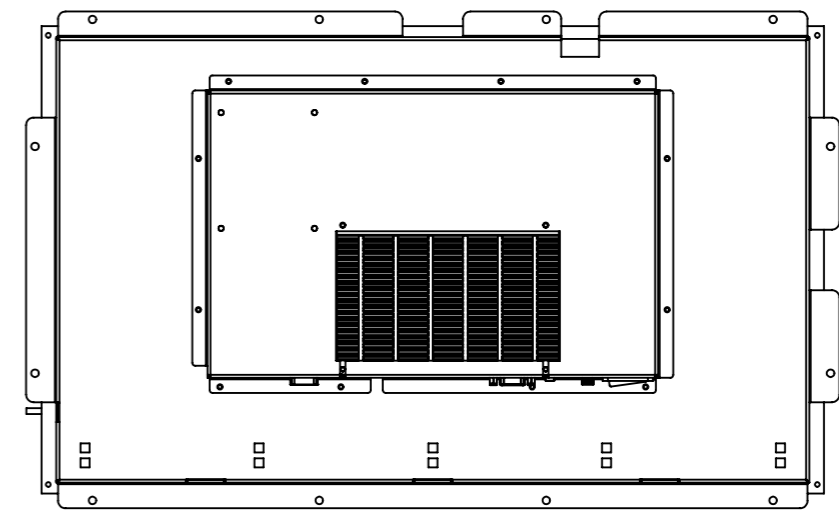
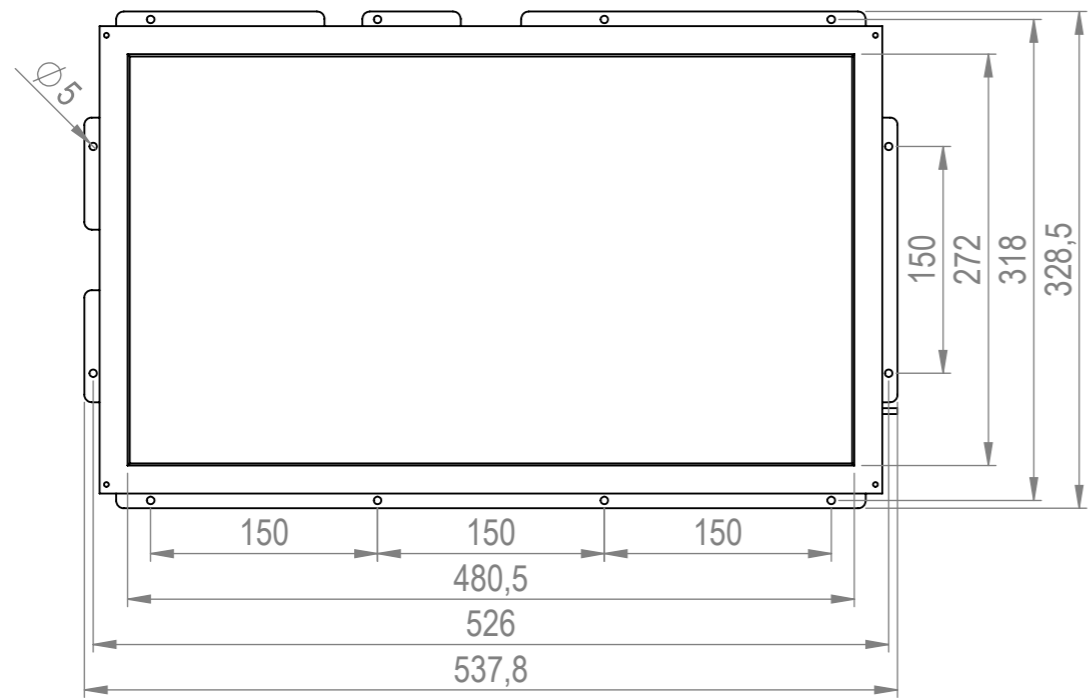
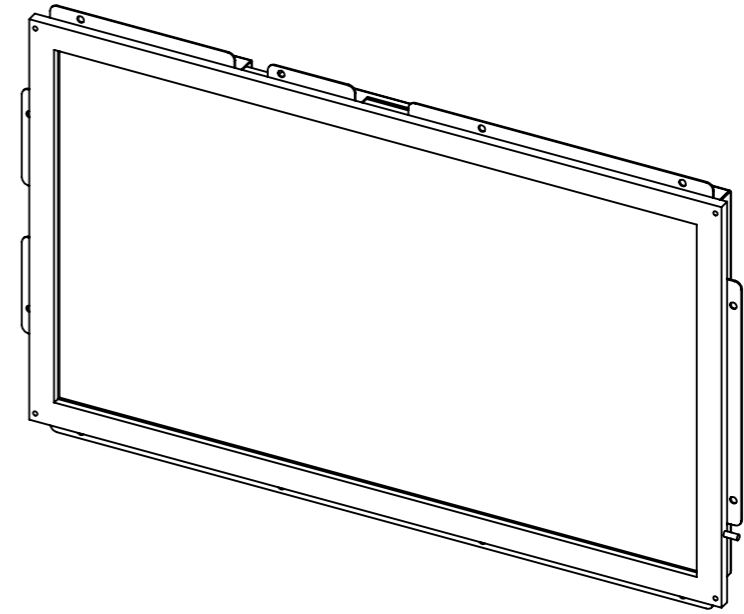
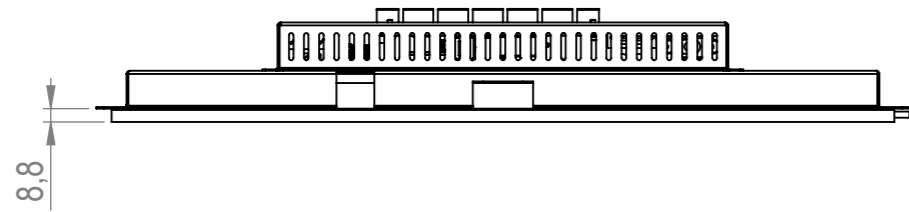
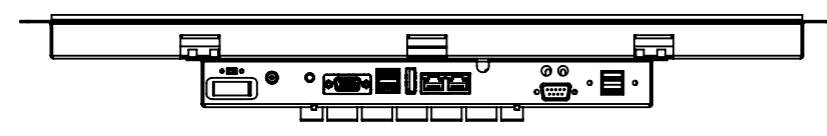
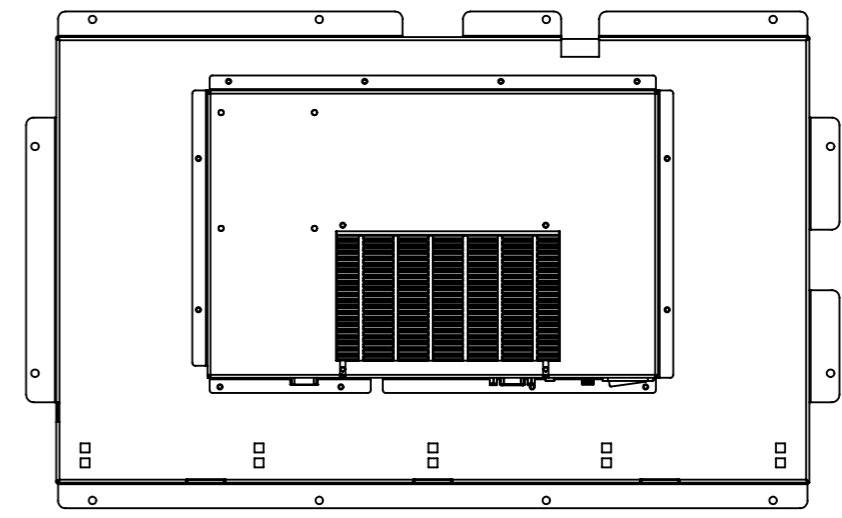
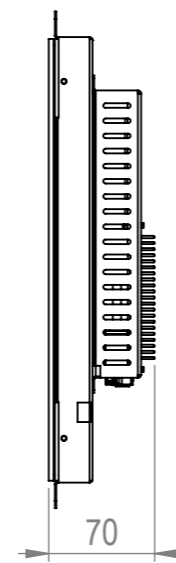
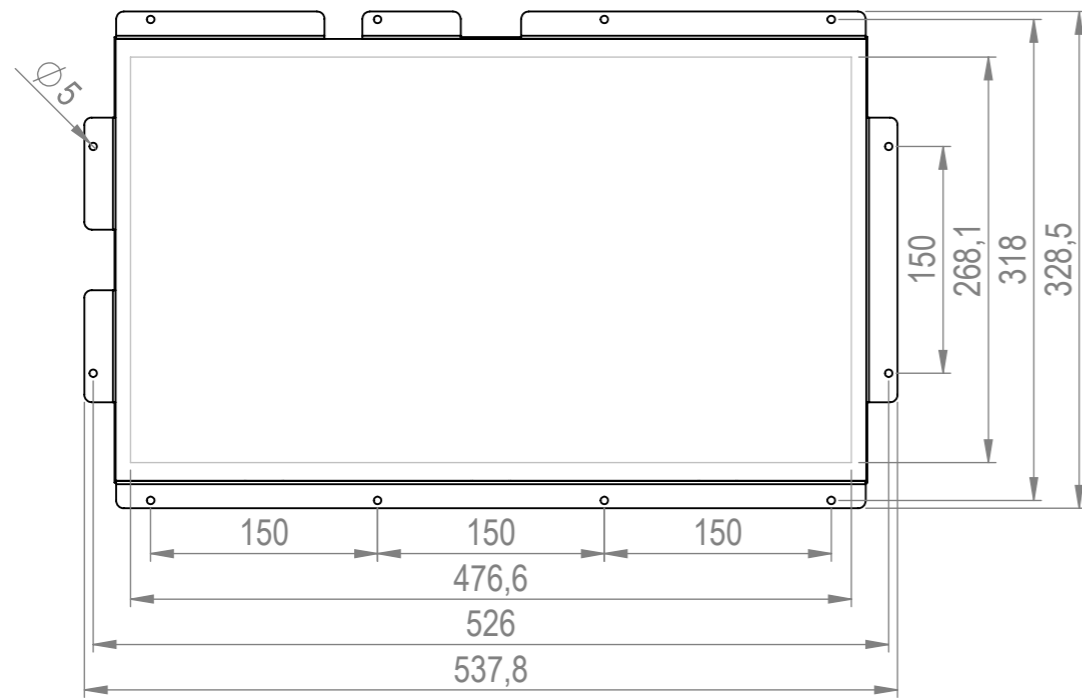
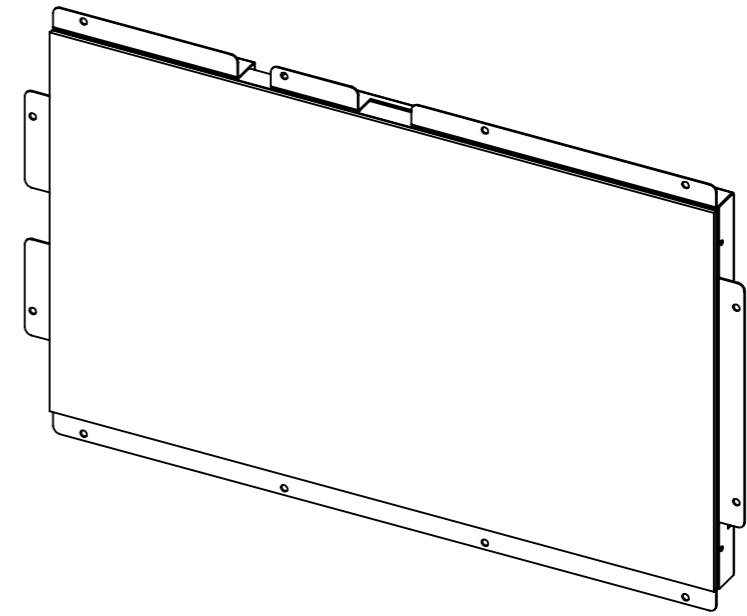
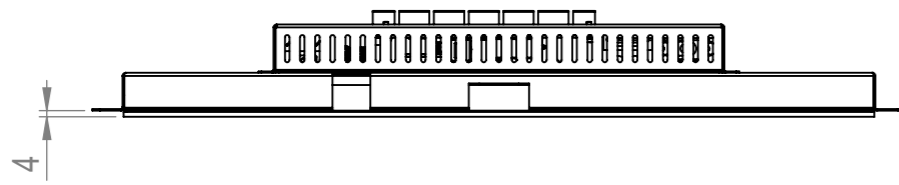


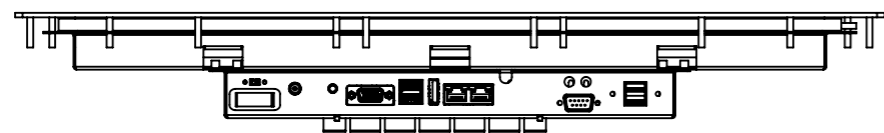
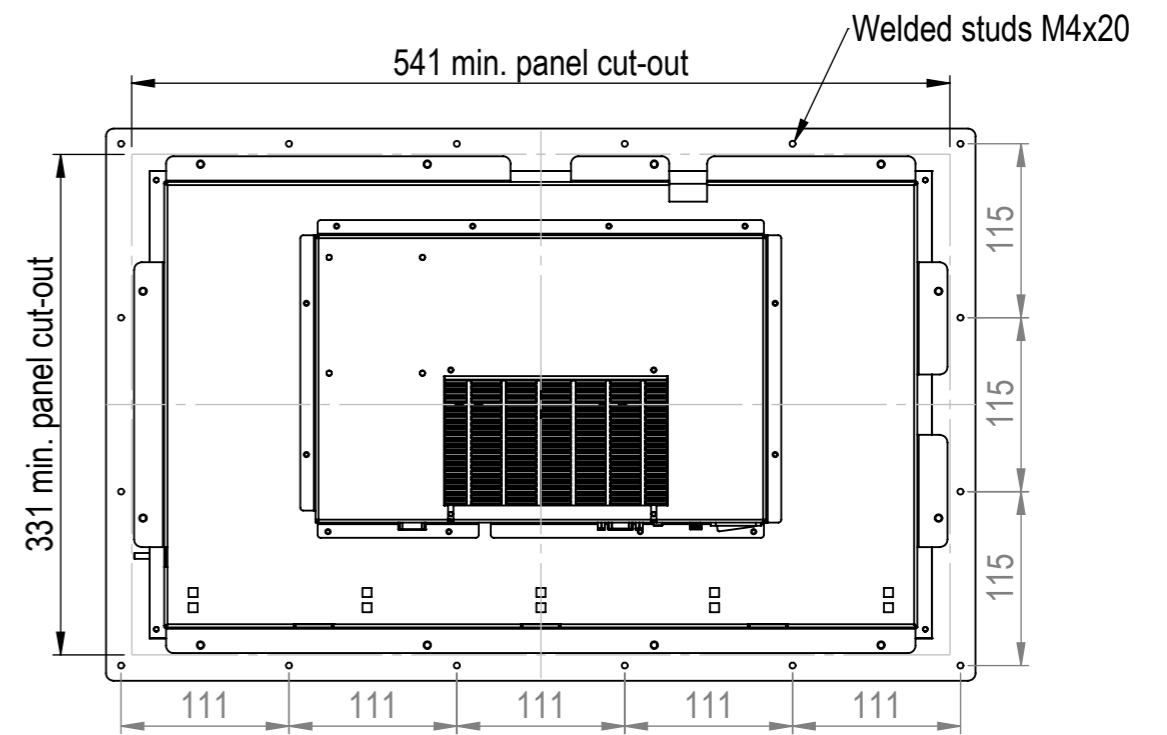
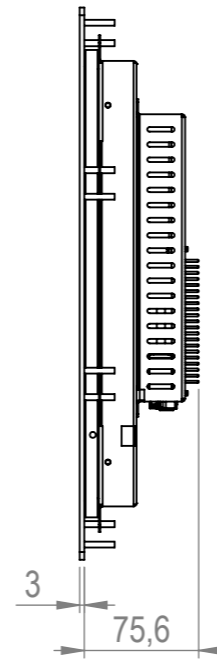
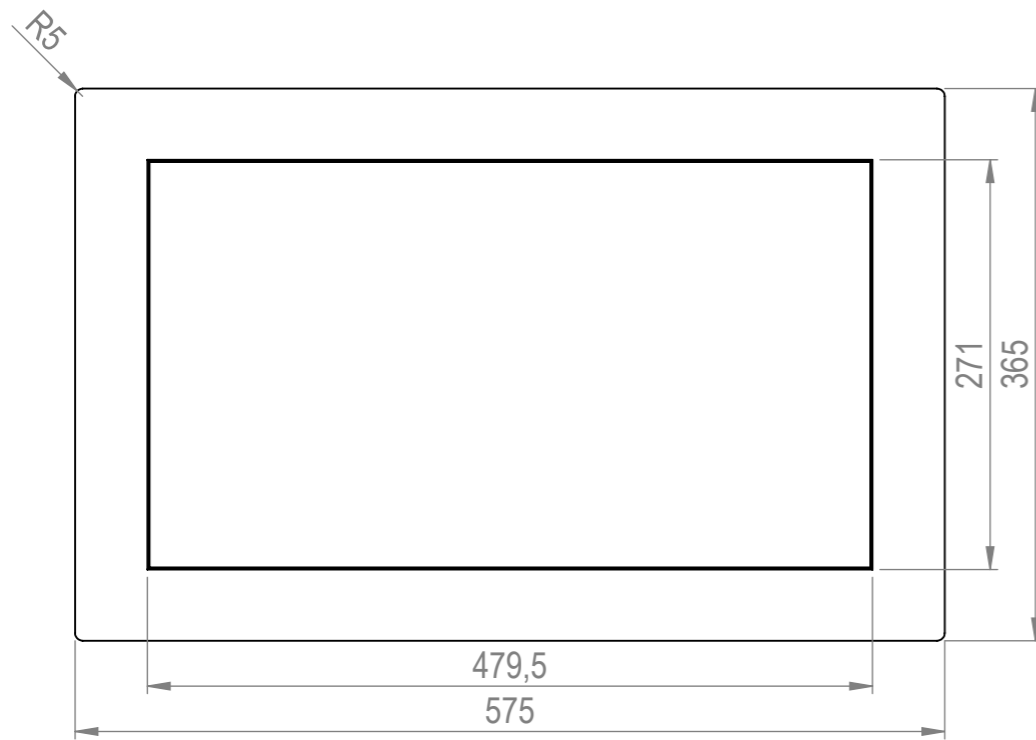
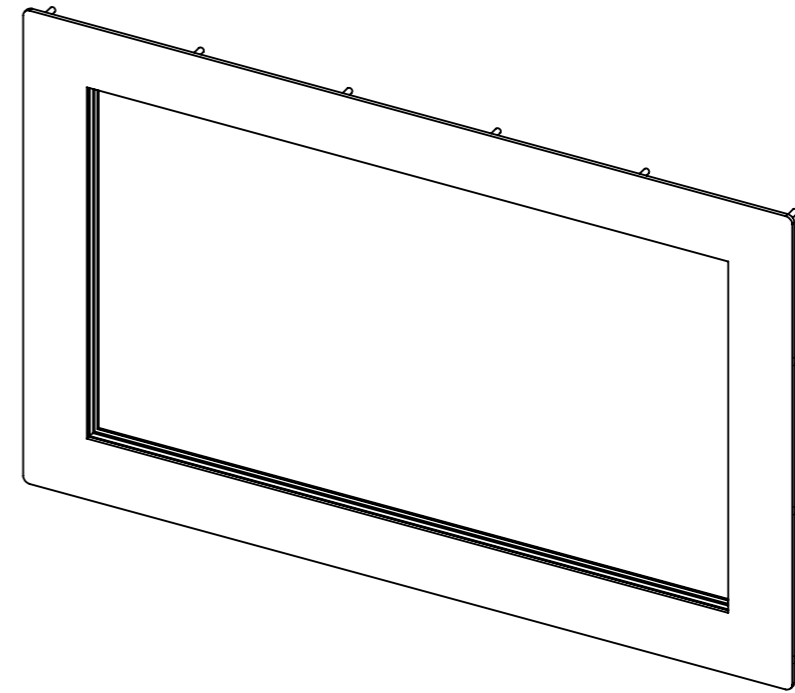
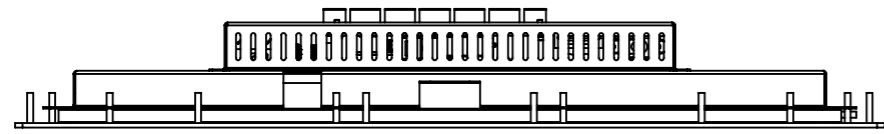
DATE		31-7-2024		DO NOT SCALE DRAWING		DIMENSIONS ARE IN MM	
REV.	DRAWN	AdJ		<b>TFT/Solutions</b>			
1	APPROVED	AdJ					
MATERIAL				DESCRIPTION Assembly			
FINISH				PAGE NAME Openframe			
				DWG NO. Q215-C4			A3
				SCALE:1:5		SHEET 1 OF 5	



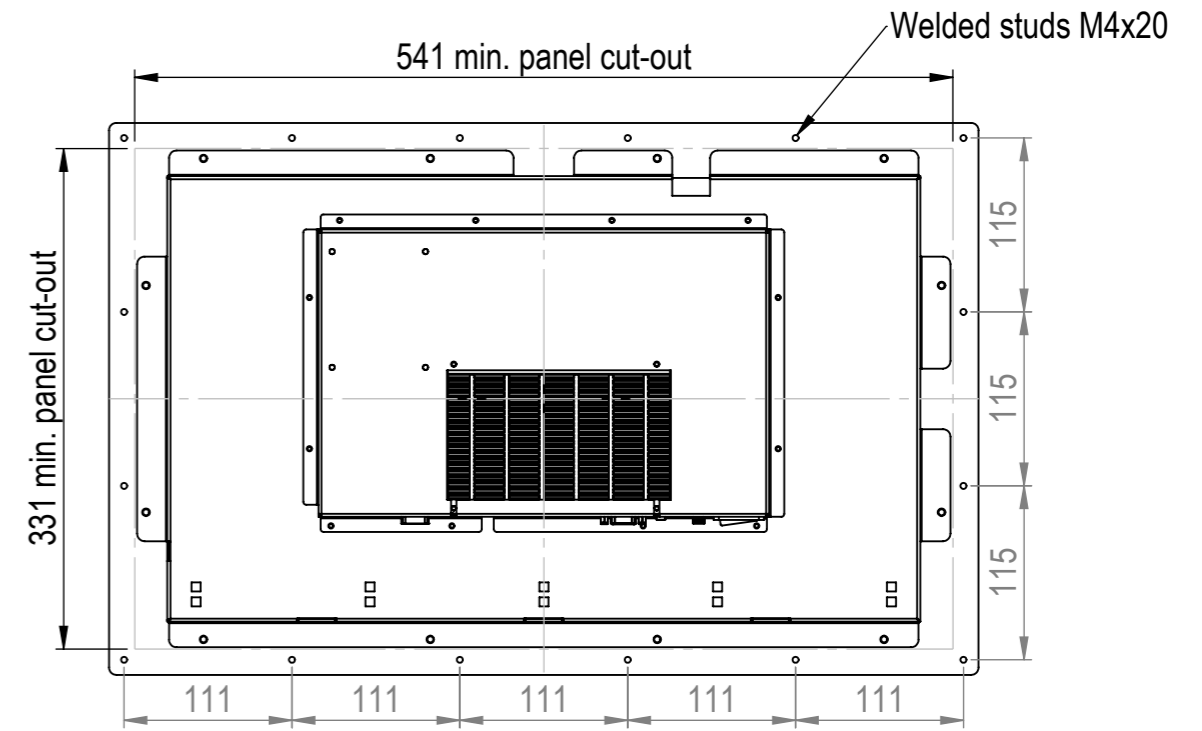
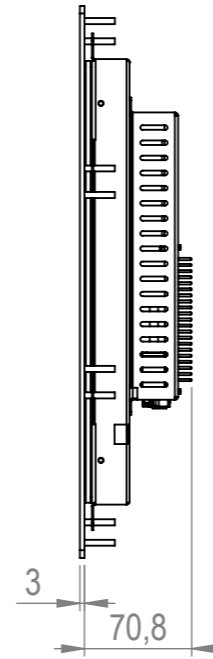
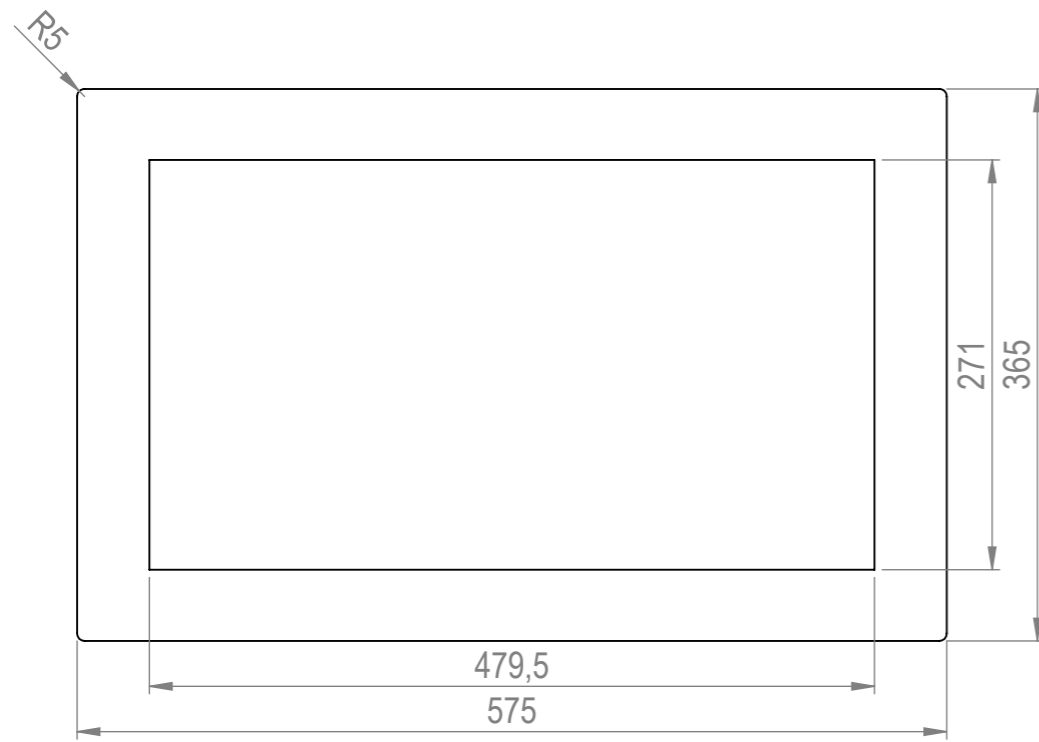
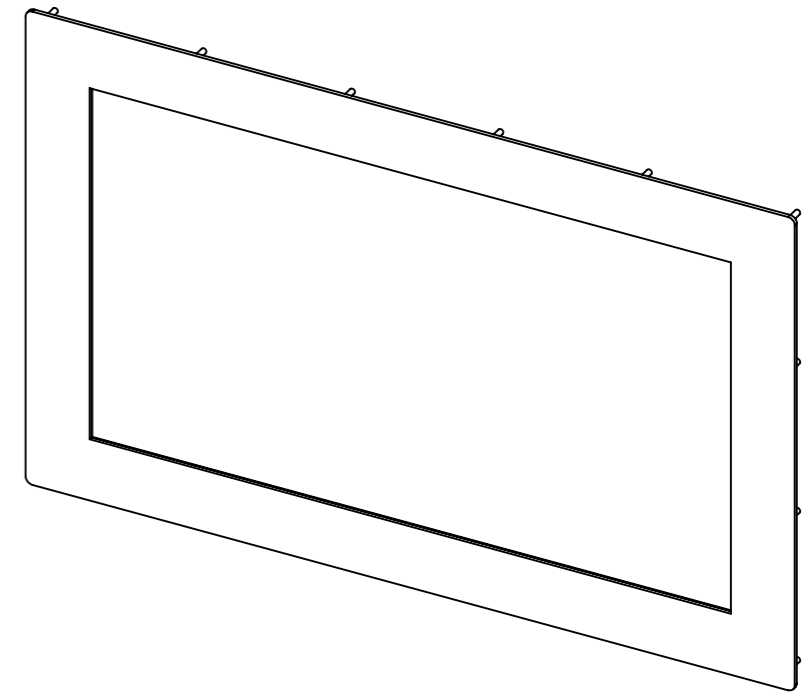
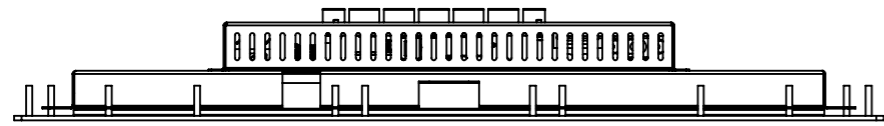
DATE		31-7-2024		DO NOT SCALE DRAWING		DIMENSIONS ARE IN MM	
REV.	DRAWN	AdJ		<b>TFT/Solutions</b>			
1	APPROVED	AdJ					
MATERIAL				DESCRIPTION			
				Assembly			
FINISH				PAGE NAME			
				IRtouch openframe			
				DWG NO.		A3	
				Q215I-C4			
				SCALE:1:5		SHEET 2 OF 5	



DATE		31-7-2024		DO NOT SCALE DRAWING		DIMENSIONS ARE IN MM	
REV.	DRAWN	AdJ		<b>TFT/Solutions</b>			
1	APPROVED	AdJ					
MATERIAL				DESCRIPTION			
				Assembly			
FINISH				PAGE NAME			
				Resistive touch openframe			
				DWG NO.			A3
				Q215R-C4			
				SCALE:1:5		SHEET 3 OF 5	



DATE		31-7-2024		DO NOT SCALE DRAWING		DIMENSIONS ARE IN MM	
REV.	DRAWN	AdJ		<b>TFT/Solutions</b>			
1	APPROVED	AdJ					
MATERIAL				DESCRIPTION			
				Assembly			
FINISH				PAGE NAME			
				IRtouch panelmount			
				DWG NO.			A3
				Q215I-PM-C4			
				SCALE:1:5		SHEET 4 OF 5	



DATE		31-7-2024		DO NOT SCALE DRAWING		DIMENSIONS ARE IN MM	
REV.	DRAWN	AdJ		<b>TFT/Solutions</b>			
1	APPROVED	AdJ					
MATERIAL				DESCRIPTION			
				Assembly			
FINISH				PAGE NAME			
				Resistive touch panelmount			
				DWG NO.			A3
				SCALE:1:5			SHEET 5 OF 5